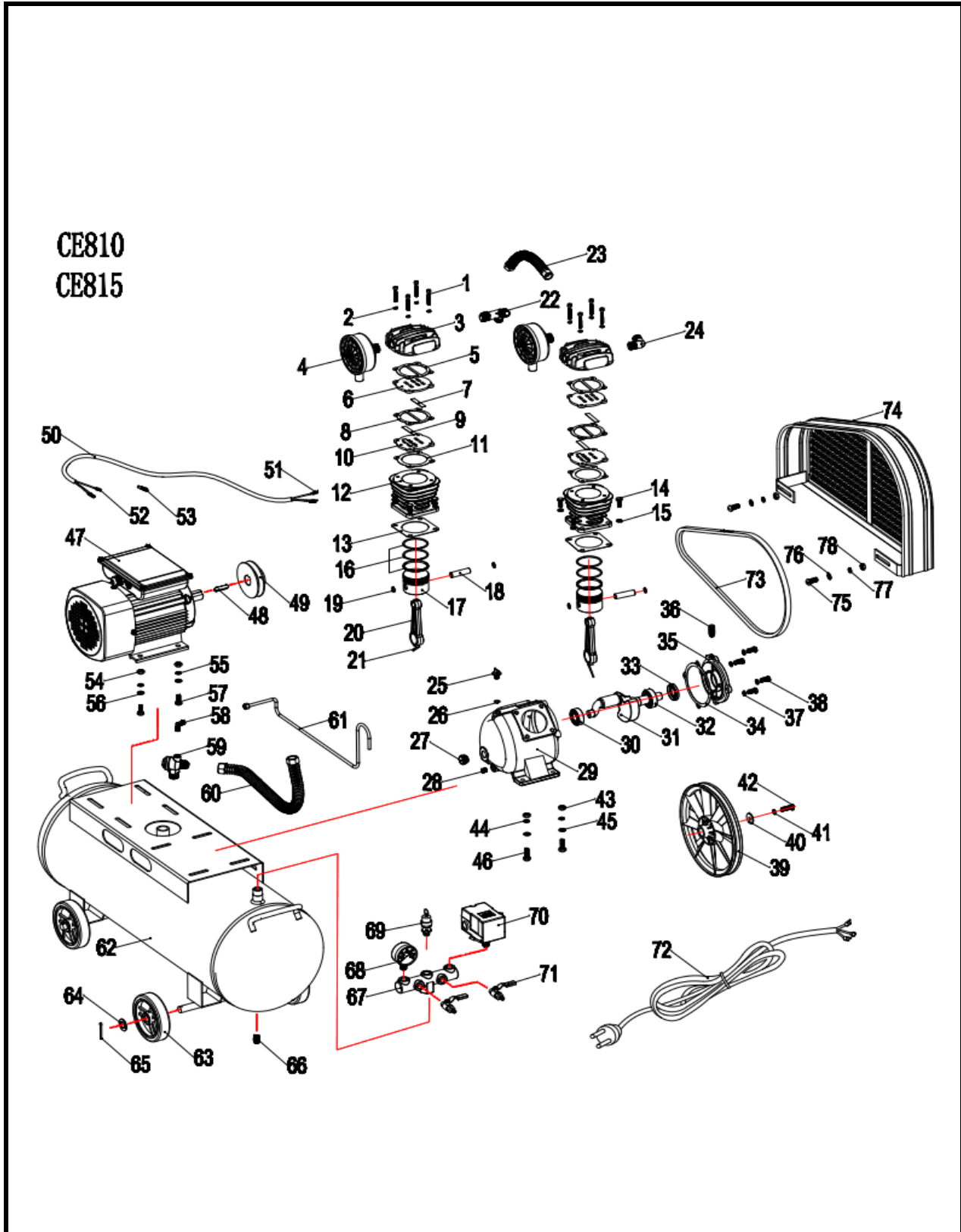


COMPRESOR 2HP 50LTS HORIZONTAL CORREA

Parte: Compresor

Código 517300

Modelo TKBDC-250-B



COMPRESOR 2HP 50LTS HORIZONTAL CORREA

 Parte: **Compresor**

 Código **517300**

 Modelo **TKBDC-250-B**

N°	Cód. Savake	Descripción Español	Descripción Ingles	Cant.	Observaciones
1			Bolt		
2			Spring Washer		
3			Cylinder Head		
4			Air Filter		
5			Cylinder Head Gasket		
6			Valve Plate		
7			Intake valve		
8			Valve plate aluminum gasket		
9			Vent valve		
10			Valve plate		
11			Valve plate gasket		
12			Cylinder		
13			Cylinder gasket		
14			Bolt		
15			Spring Washer		
16			Piston ring		
17			Piston		
18			Piston pin		
19			Locking-ring		
20			Connecting rod		
21			Oil needle		
22			Exhaust three way pipe		
23			Connecting pipe		
24			Elbow		
25			Oil plug		
26			O-ring		
27			Oil leveler		
28			Bolt		
29			Crankcase		
30			Bearing		
31			Crank		
32			Bearing		
33			Oil seal		
34			Front cover gasket		
35			Front cover		
36			Breath pipe		
37			Spring Washer		
38			Bolt		
39			Pulley		
40			Plain washer		
41			Spring Washer		
42			Bolt		
43			Nut		

