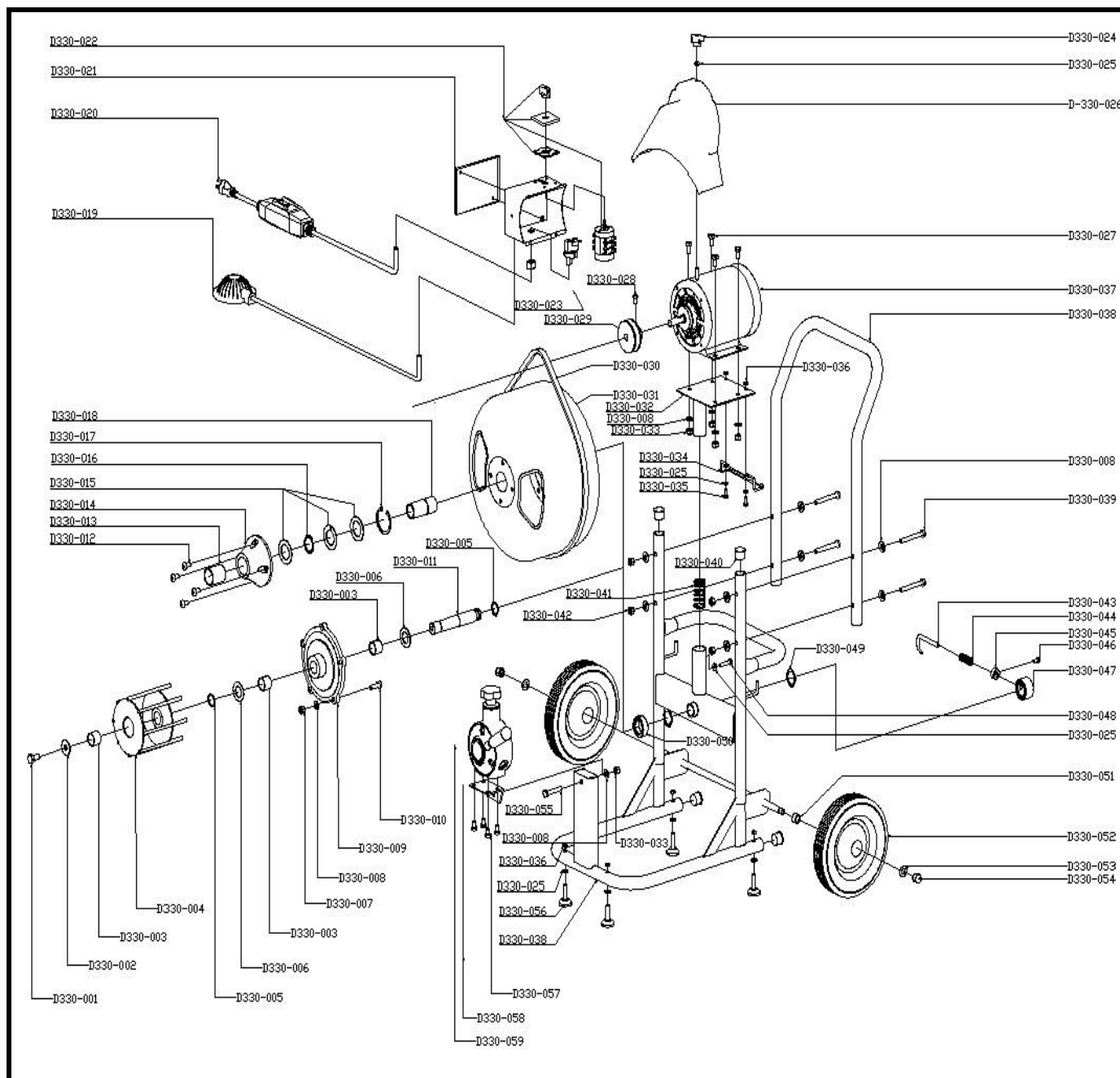


DESTAPADOR DE CAÑERIAS 1/3HP GUAYA ALMA FLEXIBLE

Parte: MÁQUINA

Código 509380

Modelo TK-400



DESTAPADOR DE CAÑERIAS 1/3HP GUAYA ALMA FLEXIBLE

 Parte: MÁQUINA

 Código 509380

 Modelo TK-400

N°	Cód. Savake	Descripción Español	Descripción Ingles	Cant.	Observaciones
D330-001			Inner hexagon screw	1	
D330-002			Washer	1	
D330-003			Bushing	1	
D330-003			Bushing	2	
D330-004			Inner Drum Cage	1	
D330-005			Retaining Ring	2	
D330-006			Washer	3	
D330-007			Locknut	5	
D330-008			Washer	14	
D330-009			Flange	1	
D330-010			Hexagonal bolt	5	
D330-011			Shaft	1	
D330-012			Screw	4	
D330-013			Bushing	1	
D330-014			Front Hub	1	
D330-015			Washer	2	
D330-016			Retaining ring	1	
D330-017			Internal circlip	1	
D330-018			Flanged shaft	1	
D330-019			Foot Pedal	1	
D330-020			Cord w/GFCI	1	
D330-021			Box w/cover & screws	1	
D330-022			Reverse switch	1	
D330-023			Air foot switch diaphragm	1	
D330-024			Knob	1	
D330-025			Washer	6	
D330-026			Belt guard	1	
D330-027			Hexagonal bolt	4	
D330-028			Screw	1	
D330-029			V-Belt pulley	1	
D330-030			V-Belt	1	
D330-031			Drum	1	
D330-032			Motor support	1	
D330-033			Locknut	5	
D330-034			Drill shelf	1	
D330-035			Screw	2	

DESTAPADOR DE CAÑERIAS 1/3HP GUAYA ALMA FLEXIBLE

 Parte: MÁQUINA

 Código 509380

 Modelo TK-400

N°	Cód. Savake	Descripción Español	Descripción Ingles	Cant.	Observaciones
D330-036			Nut	2	
D330-037			Motor	1	
D330-038			Frame	1	
D330-039			Hexagonal bolt	4	
D330-040			Closing plug	4	
D330-041			Motor support spring	1	
D330-042			Nut	4	
D330-043			Shaft Retaining pin	1	
D330-044			Retaining pin spring	1	
D330-045			Retaining pin collar	1	
D330-046				1	
D330-047					
D330-048			Inner hexagon screw	1	
D330-049					
D330-050					
D330-051			shaft sleeve	2	
D330-052			Wheel	2	
D330-053			Washer	2	
D330-054			Retaining cap	2	
D330-055			Hexagonal bolt	1	
D330-056			Supporting foot	4	
D330-057			Screw	4	
D330-058			Support plate	1	
D330-059			Auto-feed device	1	
D330-060					