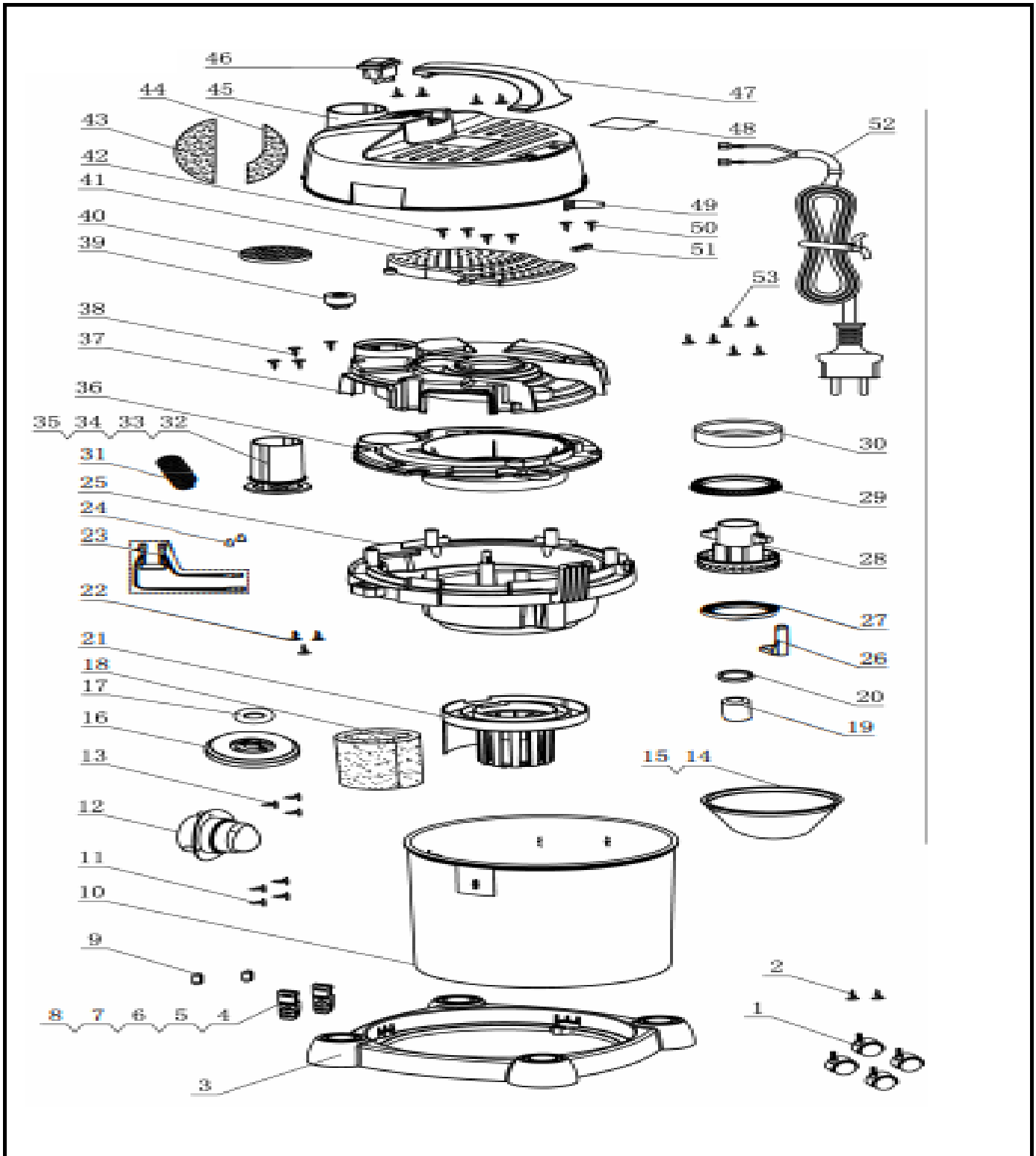


ASPIRADORA ELECTRICA 1200W 18L

Parte: ASPIRADORA ELÉCTRICA

Código 498865

Modelo TKVC1200-18 /TKVC-180



ASPIRADORA ELECTRICA 1200W 18L

 Parte: ASPIRADORA ELÉCTRICA

 Código 498865

 Modelo TKVC1200-18 /TKVC-180


| N° | Cód. Savake | Descripción Español | Descripción Ingles | Cant. | Observaciones |
|----|-------------|--|--------------------------|-------|---|
| 1 | | | Small wheel | 4 | |
| 2 | | | SCREW | 2 | |
| 3 | | | Base | 1 | |
| 4 | | | Clasp | 2 | |
| 5 | | | Clasp fixed block | 2 | |
| 6 | | | Clasp axes | 2 | |
| 7 | | | Long axes | 2 | |
| 8 | | | short axes | 2 | |
| 9 | | | Clasp inside fixed block | 2 | |
| 10 | | | 18L Barrel | 1 | |
| 11 | | | SCREW | 4 | |
| 12 | | | suction socket | 1 | |
| 13 | | | SCREW | 3 | |
| 14 | 499673 | FILTRO BOLSA POLVO P/TKVC 180 ASPIRADORA | Filter bag | 1 |  |
| 15 | | | Filter bag bracket | 1 | |
| 16 | | | filter top cover | 1 | |
| 17 | | | Seal | 1 | |
| 18 | 499681 | FILTRO DE ENTRADA DE AIRE P/ TKVC-180 | Air inlet filter | 1 | |
| 19 | | | 15L Float Cylinder | 1 | |
| 20 | | | Float Seal | 1 | |
| 21 | 499715 | MARCO HEPA P/TKVC-180 | Hepa frame | 1 | |
| 22 | | | Screw | 3 | |
| 23 | 500629 | CABLE INTERNO CAPACITOR P/TKVC180 | Internal Wire ASS.Y | 1 |  |
| 24 | | | cap | 2 | |
| 25 | | | Motor underpan | 1 | |
| 26 | | | windpipe | 1 | |
| 27 | | | Motor cushion lower | 1 | |
| 28 | 499772 | MOTOR P/ TKVC-180/TKVC400 | Wet/dry motor | 1 | |
| 29 | | | Motor cushion upper | 1 | |
| 30 | | | Seal | 1 | |
| 31 | | | Spring | 1 | |
| 32 | | | Vent-pipe | 1 | |
| 33 | | | Intake | 1 | |

ASPIRADORA ELECTRICA 1200W 18L

 Parte: ASPIRADORA ELÉCTRICA

 Código 498865

 Modelo TKVC1200-18 /TKVC-180

| N° | Cód. Savake | Descripción Español | Descripción Ingles | Cant. | Observaciones |
|----|-------------|---|----------------------------------|-------|--|
| 34 | | | Stem | 1 | |
| 35 | | | Screw | 3 | |
| 36 | | | Mid cover | 1 | |
| 37 | | | outflow cover | 1 | |
| 38 | | | Screw | 4 | |
| 39 | | | protective valve assembly | 1 | |
| 40 | | | Air inlet sponge | 1 | |
| 41 | | | Honeycomb cover | 1 | |
| 42 | | | Screw | 4 | |
| 43 | | | Left noise elimination sponge-C | 1 | |
| 44 | | | right noise elimination sponge-C | 1 | |
| 45 | | | Top cover | 1 | |
| 46 | 499723 | INTERRUPTOR ON/OFF P/ ASPIRADORA TKVC180 | switch | 1 |  |
| 47 | | | Handle | 1 | |
| 48 | | | Rating label | 1 | |
| 49 | | | cord jacket | 1 | |
| 50 | | | Screw | 2 | |
| 51 | | | fixing slip | 1 | |
| 52 | | | power cord | 1 | |
| 53 | | | Screw | 6 | |
| 54 | 499731 | MANGUERA P/ TKVC180/TKVC400 | FA27 hose | 1 | |
| 55 | | | FB18 multipurpose | 1 | |
| 56 | | | FC12G small brush assembly | 1 | |
| | | | | 1 | |
| 57 | | | FD40 Extension 3 Pipe(plastic) | 1 | |