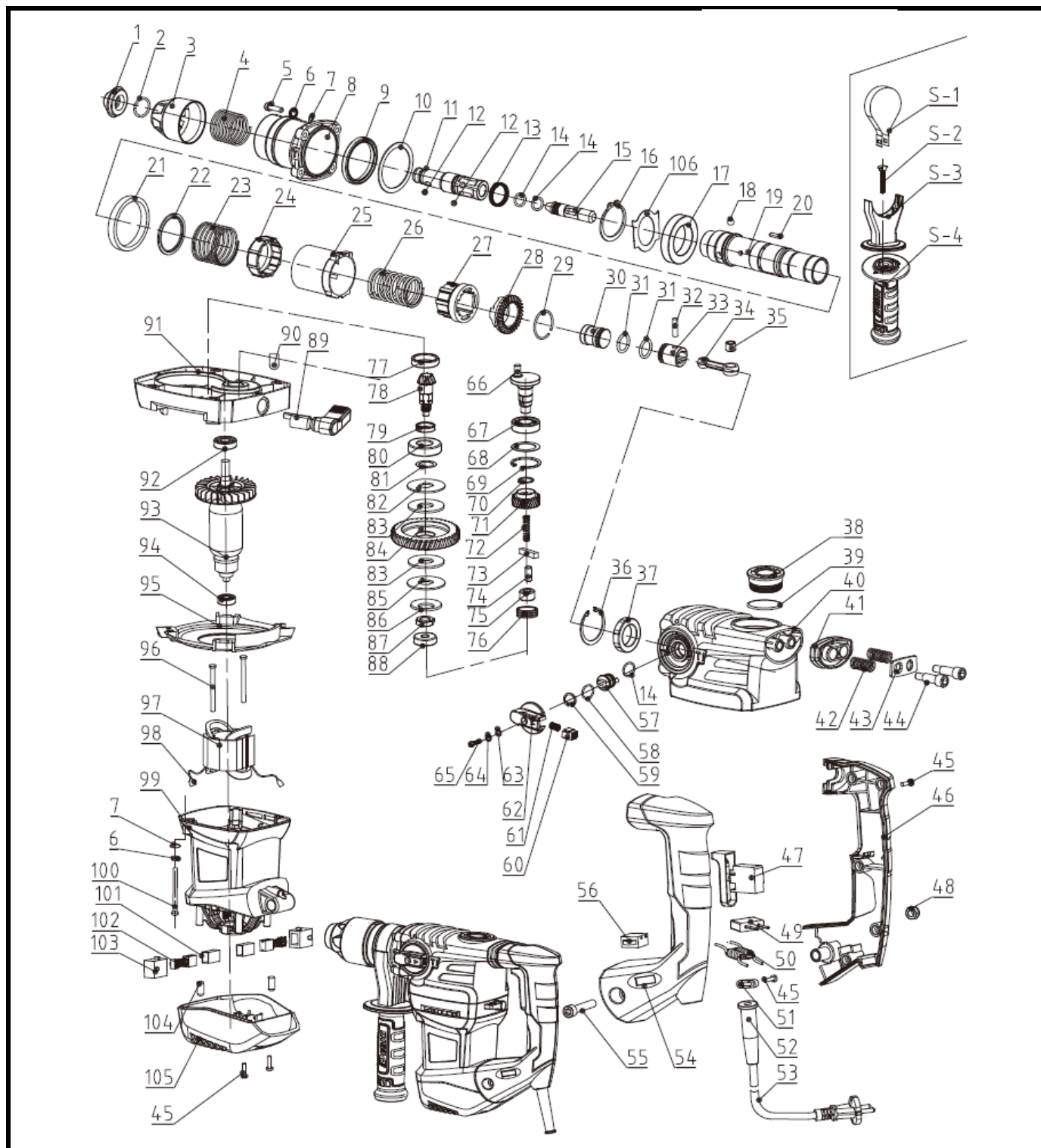


ROTOMARTILLO 1500 WATTS 32 MM SDS PLUS

Parte: MÁQUINA

Código: 441444

Modelo: HDRH1500-32 /TKRH-32



ROTOMARTILLO 1500 WATTS 32 MM SDS PLUS

 Parte: MÁQUINA

 Código: 441444

 Modelo: HDRH1500-32 /TKRH-32

N°	Cód. Savake	Descripción Español	Descripción Ingles	Cant.	Observaciones
1			Rubber Head		
2			Steel Ring		
3			Steel Frame		
4			Spring		
5			Socket head cap screw		
6			Spring Washer		
7			Flat Washer		
8			Cylinder House		
9			Oil Seal		
10			Washer		
11	514893	PORTAHERRAMIENTAS P/HDRH1500-32 /TKRH-32	Teleflex		
12			Ball		
13			X-ring		
14			O-ring		
15			Impact hammer		
16			Washer		
17			Bearing		
18			Ball		
19			Cylinder		
20			Flat key		
21			Plastic washer		
22			Washer		
23			Spring		
24			Plastic sleeve		
25			Chisel lock distance Sleeve		
26			Spring		
27			Clutch		
28			Gamp gear		
29			O-ring		
30			Rammer		
31	507962	ANILLO DEL PISTON P/HDRH1500-32 /TKRH-32	O-ring		
32			Piston Pin		
33	507970	PISTON P/HDRH1500-32 /TKRH-32	Piston		
34	507996	BIELA P/HDRH1500-32 /TKRH-32	Connecting Rod		

ROTOMARTILLO 1500 WATTS 32 MM SDS PLUS

 Parte: MÁQUINA

 Código: 441444

 Modelo: HDRH1500-32 /TKRH-32

N°	Cód. Savake	Descripción Español	Descripción Ingles	Cant.	Observaciones
35			Needle Bearin		
36			Ring		
37			Needle Bearing		
38			Oil cap		
39			O-ring		
40			Gear box		
41			Anti-vibration Holder		
42			Anti-vibration Spring		
43			Anti-vibration Board		
44			Anti-vibration Screw		
45			Cross recessed pan head screw		
46			Right handle		
47	501916	SWITCH ON/OFF P/HDRH1500-32 /TKRH-32	Switch		
48			Nutr		
49			Capacitance		
50			Inductance		
51			Cable plate		
52			Cable sheath		
53			Cable		
54			Left handle		
55			Soket head cap screw		
56	498659	REGULADOR DE VELOCIDAD P/HDRH1500-32 /TKRH-32	Speed controller		
57			Knob Shaft		
58			Washer		
59	508028	PALANCA SELECTOR DE FUNCION P/HDRH1500-32 /TKRH-32	Ring		
60			Two function switch		
61			Knob spring		
62			Knob		
63			Flat Washer		
64			Spring Washer		
65			Cross recessed pan head screw		

ROTOMARTILLO 1500 WATTS 32 MM SDS PLUS

 Parte: MÁQUINA

 Código: 441444

 Modelo: HDRH1500-32 /TKRH-32

N°	Cód. Savake	Descripción Español	Descripción Ingles	Cant.	Observaciones
66	508044	KIT ENGRANAJE DEL CIGÜEÑAL P/HDRH1500-32 /TKRH-32	Crankshft		
67			Bearing		
68			Washer		
69			Washer		
70			Washer		
71			Gear		
72			Spring		
73			Square key		
74			Pin		
75			Needle bearing		
76			Steel sleeve		
77	500066	KIT PLAQUETA DE PIÑONES P/HDRH1500-32 /TKRH-32	Oil Seal		
78			Small gear		
79			Washer		
80			Bearing		
81			Washer		
82			Washer		
83			Friction Slice		
84			Gear		
85			Washer		
86			Spring		
87			Nut		
88	Bearing				
89			Function knob		
90			Pin		
91	511238	PLATINA DE RODAMIENTO P/HDRH1500-32 /TKRH-32	Inner cover		
92			Bearing		
93			Rotor		
94			Bearing		
95			Fan guide		
96			Stator screw		
97	508002	CAMPO P/HDRH1500-32 /TKRH-32	Stator		
98			Stator small plate		

ROTOMARTILLO 1500 WATTS 32 MM SDS PLUS

 Parte: MÁQUINA

 Código: 441444

 Modelo: HDRH1500-32 /TKRH-32

N°	Cód. Savake	Descripción Español	Descripción Ingles	Cant.	Observaciones
99			Motor housing		
100			Soket head cap screw		
101			Brush		
102			Brush Holder		
103			Brush cover		
104			Rubber Pin		
105			Bottom		
106			Oil Seal		
S-1			T-Shape Screw		
S-2			Bracket		
S-3			Auxiliary handle		
S-4			Hoop		