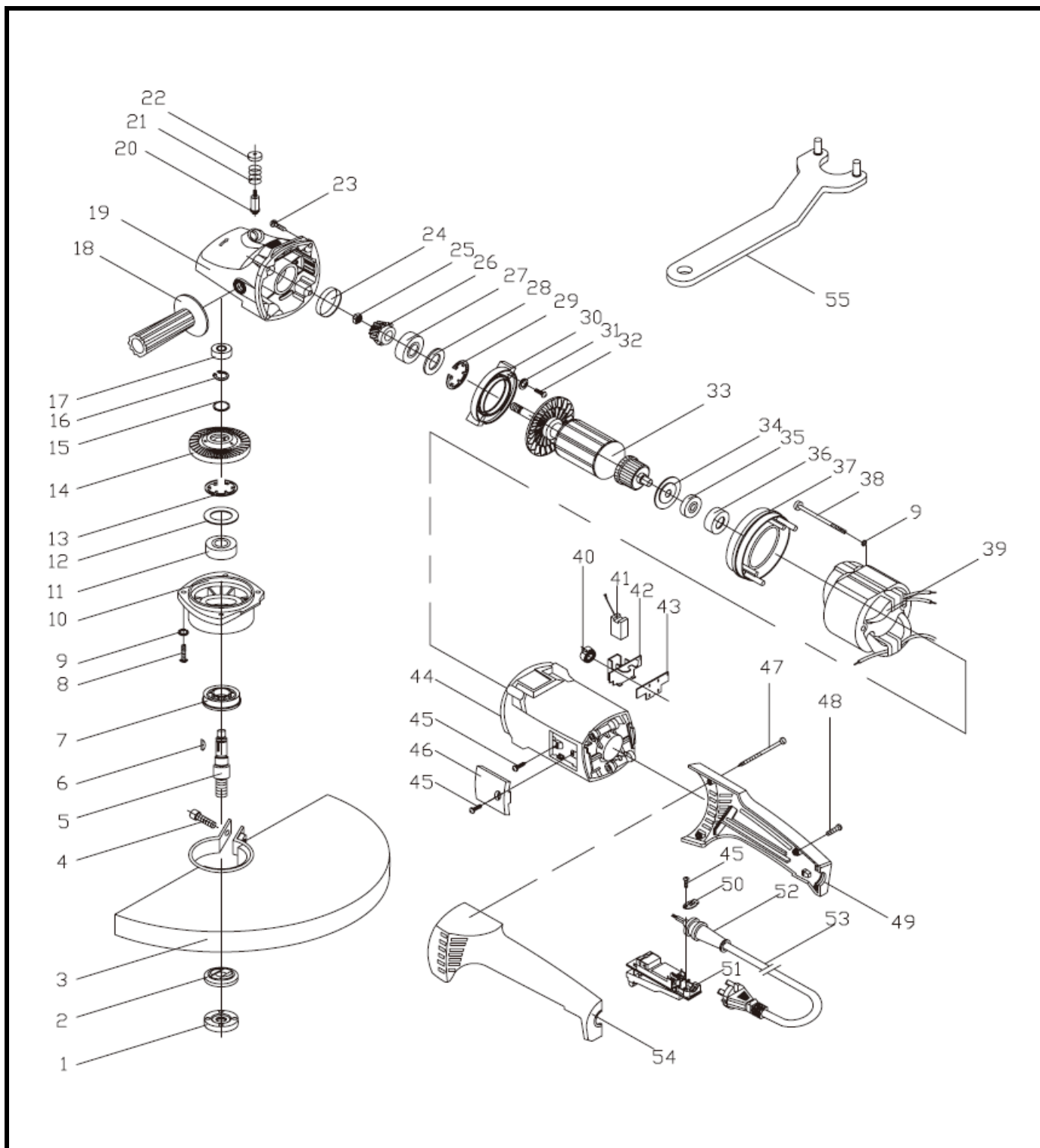


ESMERIL ANGULAR 230MM (9") 2200W - PULIDORA

Parte: MÁQUINA

Código: 421040

Modelo: HDAG2200-230 /TKAG-230-A



ESMERIL ANGULAR 230MM (9") 2200W - PULIDORA

 Parte: MÁQUINA

 Código: 421040

 Modelo: HDAG2200-230 /TKAG-230-A

N°	Cód. Savake	Descripción Español	Descripción Ingles	Cant.	Observaciones
1			Wheel nut		
2			Grinder wheel		
3			Wheel guard		
4			Socket head screw M8x30		
5			Square nut M8		
6			Locating washer		
7			Spindle		
8			Woodruff key(4X5X13)		
9			Circlip for shaft 14		
10			Screw M5x14		
11			Spring washer 5		
12			Plain washer 5		
13			Fore cover		
14			Bearing 6202-2Z		
15			Fixing plate A		
16			Screw M4x10		
17			Spring washer 4		
18			Big gear		
19			Oil bearing(Φ 16x Φ 10x10)		
20			Split circlip 5		
21			Gear box		
22			Pin spring		
23			Locking pin		
24			Screw ST4.8x25		
25			Side handle		
26			Locking nut M8		
27			Little gear		
28			Bearing 6001-2Z		
29			Fixing plate B		
30			Cross recess screw M4x10		
31			Rotor		
32			Wind baffle		
33			Bearing 629-2Z		
34			Bearing rubber bush		
35			Stator		
36			Link spring		
37			Motor housing		

ESMERIL ANGULAR 230MM (9") 2200W - PULIDORA

Parte: MÁQUINA

Código: 421040

Modelo: HDAG2200-230
/TKAG-230-A

N°	Cód. Savake	Descripción Español	Descripción Ingles	Cant.	Observaciones
38			Name plate		
39			Locking block		
40			Locking block spring		
41			0.33uf Capacitor		
42			Screw ST4.2x16		
43			Right handle		
44			Power cord		
45			Cable sheath		
46			Cable clip		
47			Screw ST4.2x14		
48			Switch		
49			Soft start		
50			Left handle		
51			Name plate		
52			Brush holder		
53			Carbon brush		
54			Brush holder cap		
55			Spanner		
56			Allen key		