

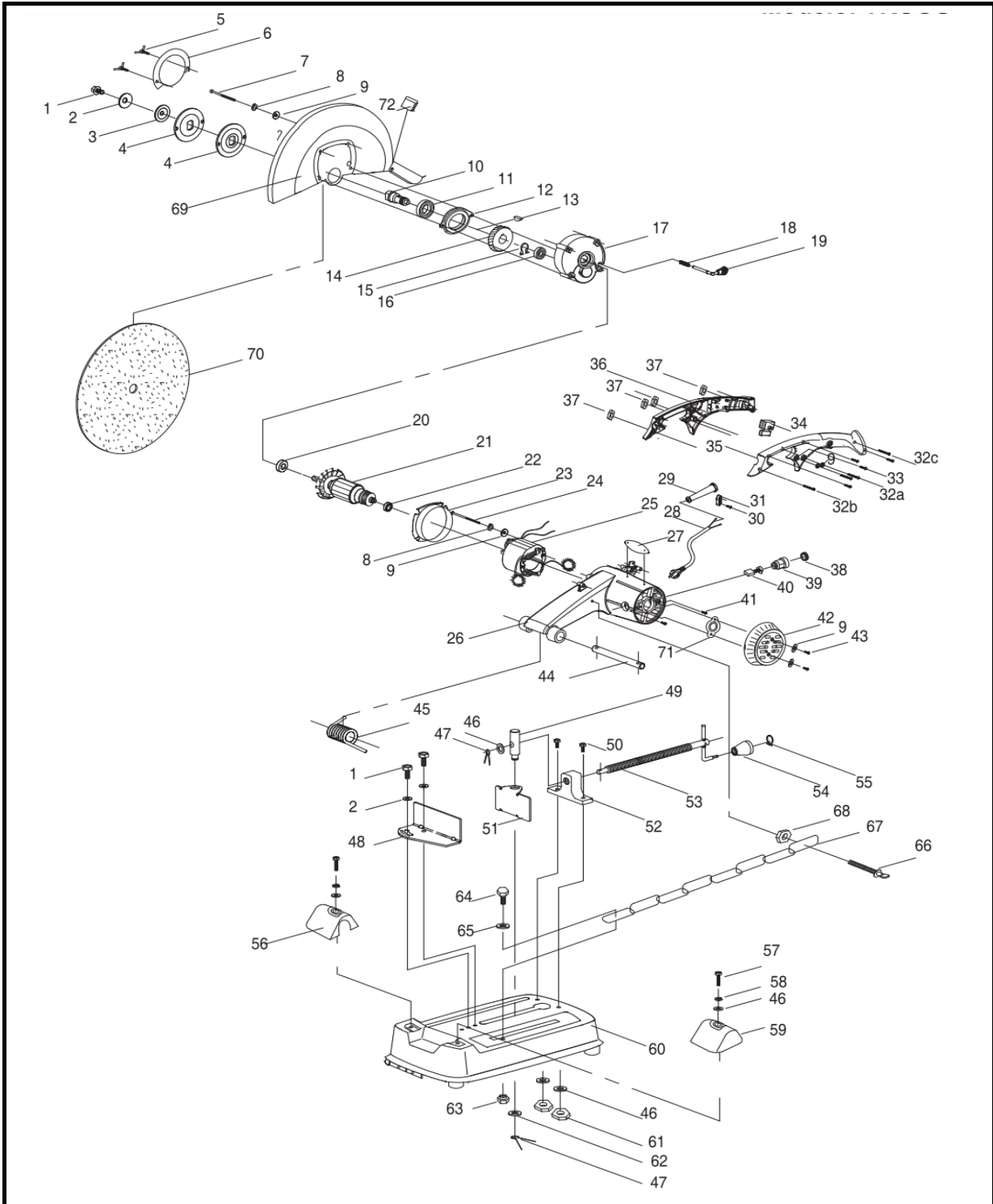


TRONZADORA 14" 355 MM 2000 WATTS

Parte: Tronadora

Código 385138

Modelo TKCOS2000-14/
TKCOS-14-C



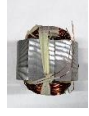


TRONZADORA 14" 355 MM 2000 WATTS

 Parte: Tronzadora

 Código 385138

 Modelo TKCOS2000-14/
TKCOS-14-C

N°	Cód. Savake	Descripción Español	Descripción Ingles	Cant.	Observaciones
1			Bolt m10x20		
2			Flat washer ø10		
3			Flange		
4			Upper flange		
5			Screw m6x12		
6			Side cover		
7			Screw m5x55		
8			Spring washer ø5		
9			Flat washer ø5		
10			Output shaft		
11			Bearing 6204-2rs		
12			Bearing seat		
13			Pin 4x5x13		
14	391045	ENGRANAJE P/TKCOS2000-14/TKCOS-14-C	Gear		
15			Snap ring		
16			Baering 629-2rs		
17			Front cover		
18			Spring		
19			Pin		
20			Bearing 6202-2rs		
21	391003	INDUCIDO P/TKCOS2000-14/TKCOS-14-C	Armature		
22			Bearing 6201-2rs		
23			Intermediary ring		
24			Screw m5x65		
25	391011	CAMPO P/TKCOS2000-14/TKCOS-14-C	Stator		
26			Housing		
27			Nameplate		
28			Power cord		
29			Cable sheath		
30			Screw st4x14		
31			Cable clamp		
32a			Screw m5x45		
32b			Screw m5x30		
33			Screw st4x14		

TRONZADORA 14" 355 MM 2000 WATTS

 Parte: Tronzadora

 Código 385138

 Modelo TKCOS2000-14/
TKCOS-14-C

N°	Cód. Savake	Descripción Español	Descripción Ingles	Cant.	Observaciones
34	391029	SWITCH DE ENCENDIDO P/TKCOS2000-14/TKCOS-14-C	Switch		
35			Left handle		
36			Right handle		
37			Nut m5		
38			Brush holder cap		
39			Brush holder		
40	391037	CARBONES P/TKCOS2000-14/TKCOS-14-C	Carbon brush		
41			Screw		
42			Rear cap		
43			Screw m5x8		
44			Pin		
45			Spring		
46			Flat washer ø8		
47			Pin		
48			Clamping sheet		
49			Straight pin		
50			Bolt m8x20		
51			Clamping sheet		
52			Nut		
53			Threaded bar		
54			Clamping handle		
55			Snap ring		
56			Pin cap		
57			Bolt m8x40		
58			Spring washer		
59			Left pin cap		
60			Base		
61			Nut		
62			Flat washer		
63			Anti loose nut		
64			Bolt m6x12		
65			Flast washer ø6		
66			Screw m6x20		
67			Chain		
68			Nut m6		
69			Wheel cover		
70			Rubber feet		