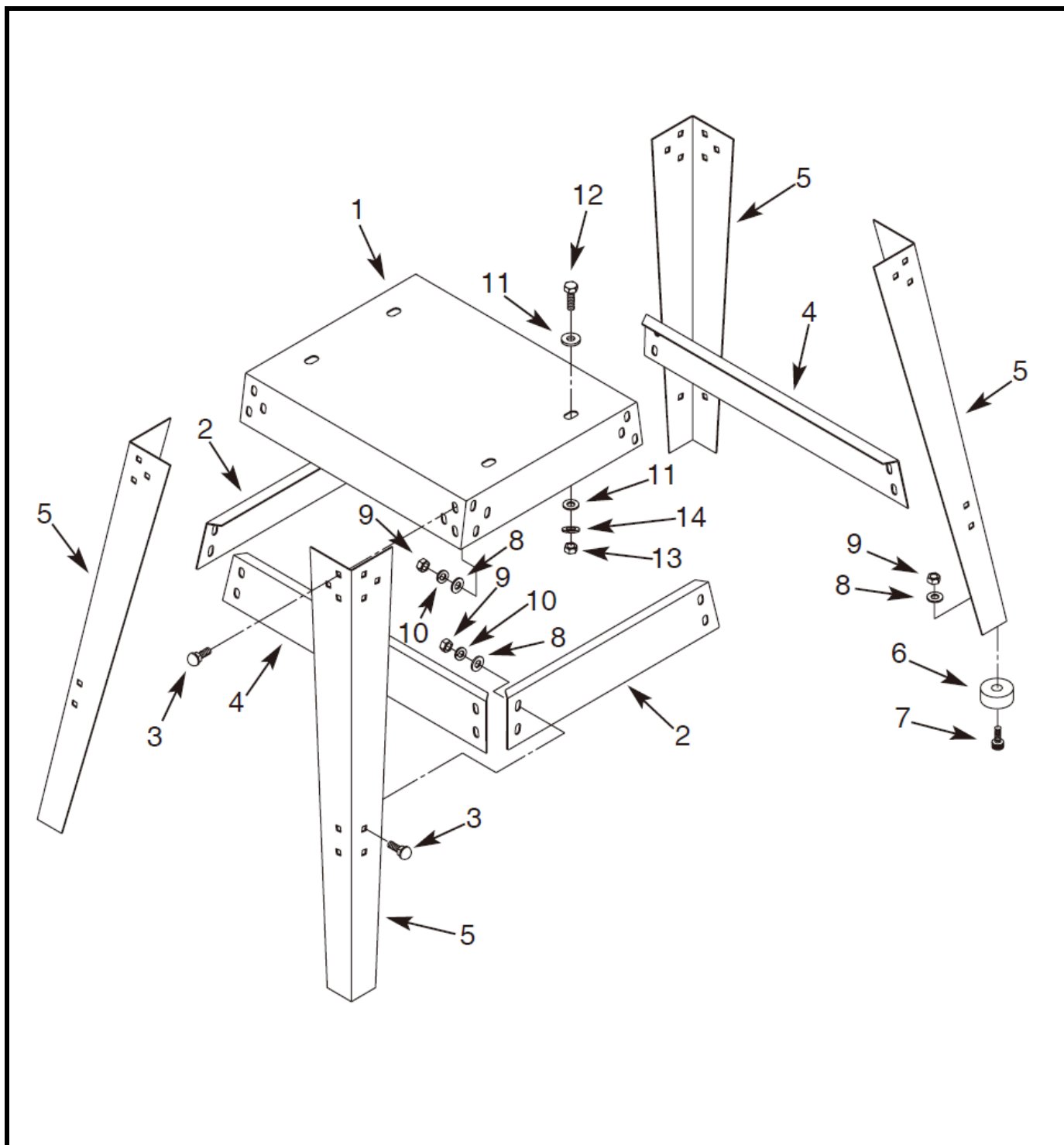


SIERRA CINTA 350MM 750W

Parte: BANCO METÁLICO

Código: 383018

Modelo: HDBS750-6  
/TKBSW-14



SIERRA CINTA 350MM 750W

 Parte: BANCO METÁLICO

 Código: 383018

 Modelo: HDBS750-6 /TKBSW-14

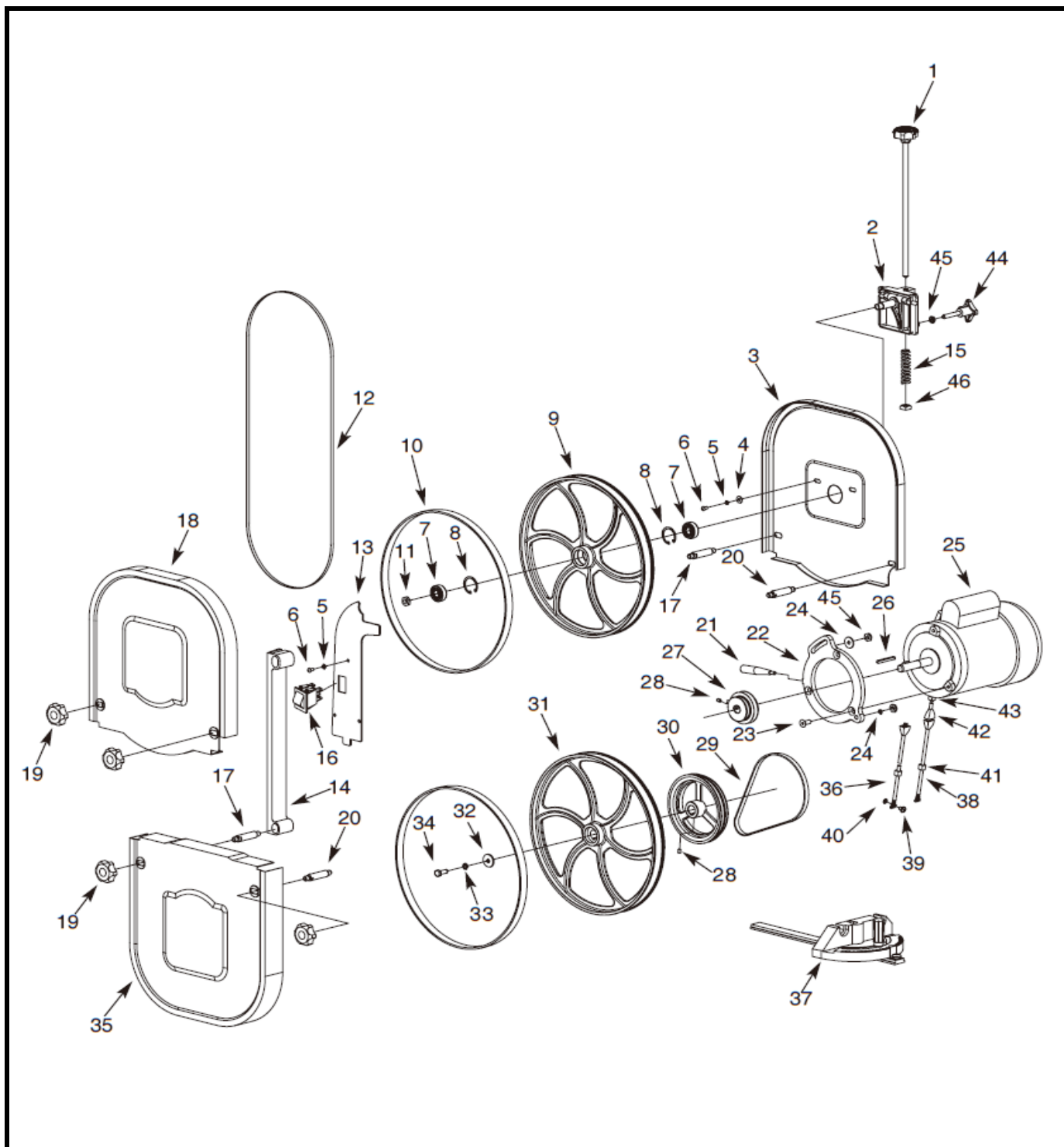
N°	Cód. Savake	Descripción Español	Descripción Ingles	Cant.	Observaciones
1			Top		
2			Short brace		
3			8-1.25 x 16mm Carriage bolt		
4			Long brace		
5			Leg		
6			Footrest		
7			8-1.25 x 20mm Socket head bolt		
8			8mm Flat washer		
9			8-1.25mm Hex nut		
10			8mm Lock washer		
11			10mm Flat washer		
12			10-1.5 35mm Socket head bolt		
13			10-1.5mm Hex nut		
14			10mm Lock washer		

SIERRA CINTA 350MM 750W

Parte: ESTRUCTURA

Código: 383018

Modelo: HDBS750-6 /TKBSW-14



## SIERRA CINTA 350MM 750W

 Parte: ESTRUCTURA

 Código: 383018

 Modelo: HDBS750-6 /TKBSW-14

N°	Cód. Savake	Descripción Español	Descripción Ingles	Cant.	Observaciones
1			Tension knob		
2			Tracking bracket assembly		
3			Idler wheel cover		
4			Spacer		
5			5mm Lock washer		
6			5-0.8 x 10mm Socket head bolt		
7			6202ZZ Bearing		
8			3BMI-35 Retaining ring		
9			Idler wheel		
10			Tread		
11			12-1.25mm Hex nut		
12			Blade		
13			Switch plate		
14			Rear blade guard		
15			Spring		
16	391300	SWITCH P/HDBS750-6 /TKBSW-14	Switch		
17			Threaded stud		
18			Upper cover		
19			Knob		
20			Threaded stud		
21			Handle		
22			Motor mount plate		
23			8-1.25 20mm Flat head screw		
24			8mm Flat washer		
25	391342	MOTOR P/HDBS750-6 /TKBSW-14	Motor		
26			5 x 5 x 50mm Key		
27			Motor pulley		
28			6-1.0 x 8mm Set screw		
29			V-belt		
30			Idler pulley		
31			Drive wheel		
32			Spacer		
33			8mm Lock washer		

## SIERRA CINTA 350MM 750W

 Parte: ESTRUCTURA

 Código: 383018

 Modelo: HDBS750-6 /TKBSW-14

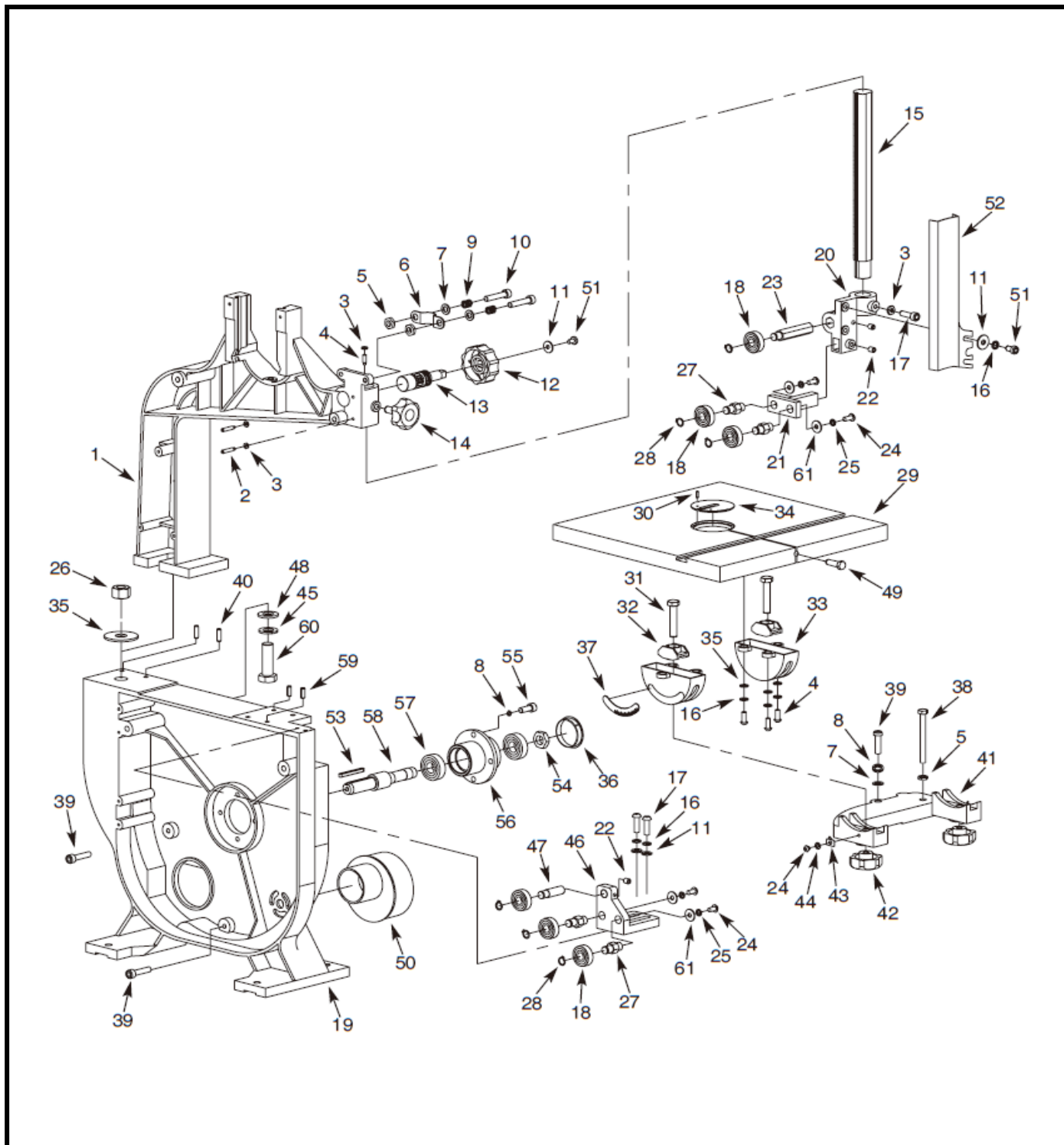
N°	Cód. Savake	Descripción Español	Descripción Ingles	Cant.	Observaciones
34			8-1.25 x 20mm Socket head bolt, LH		
35			Lower cover		
36			Line cord		
37			Miter gauge		
38			Switch to motor cord		
39			5-0.8 x 8mm Pan head screw		
40			5mm Serrated washer		
41			Strain relief		
42			Motor to switch cord		
43			Strain relief		
44			Tracking knob		
45			8-1.25mm Hex nut		
46			10mm Square nut		

SIERRA CINTA 350MM 750W

Parte: ESTRUCTURA

Código: 383018

Modelo: HDBS750-6 /TKBSW-14



## SIERRA CINTA 350MM 750W

 Parte: ESTRUCTURA

 Código: 383018

 Modelo: HDBS750-6 /TKBSW-14

N°	Cód. Savake	Descripción Español	Descripción Ingles	Cant.	Observaciones
1			Arm		
2			6-1.0 x 30mm Socket head bolt		
3			6mm Hex nut		
4			6-1.0 x 16mm Socket head bolt		
5			8-1.25mm Hex nut		
6			Bracket		
7			8mm Flat washer		
8			8mm Lock washer		
9			Spring		
10			8-1.25 x 45mm Socket head bolt		
11			6mm Flat washer		
12			Knob		
13			Shaft		
14			Knob		
15			Guide post		
16			6mm Lock washer		
17			6-1.0 x 20mm Socket head bolt		
18			629ZZ Bearing		
19			Body		
20			Upper support bracket		
21			Guide bracket		
22			6-1.0 x 8mm Set screw		
23			Bearing shaft		
24			5-0.8 x 10mm Socket head bolt		
25			5mm Lock washer		
26			18mm Jam nut		
27			Shaft		
28			3AMI-9 Retaining ring		
29			Table		
30			3 x 8mm Spring pin		
31			10-1.5 x 50mm Socket head bolt		
32			Trunnion clamp shoe		
33			Trunnion		
34			Table insert		
35			Spacer		
36			Bearing cover		
37			Scale		

## SIERRA CINTA 350MM 750W

 Parte: ESTRUCTURA

 Código: 383018

 Modelo: HDBS750-6 /TKBSW-14

N°	Cód. Savake	Descripción Español	Descripción Ingles	Cant.	Observaciones
38			8-1.25 x 75mm Socket head bolt		
39			8-1.25 x 35mm Socket head bolt		
40			6 x 20mm Spring pin		
41			Table bracket		
42			Knob		
43			Indicator		
44			5mm Serrated washer		
45			18mm Lock washer		
46			Lower support bracket		
47			Bearing shaft		
48			18mm Flat washer		
49			Table stud		
50			2" x 4" Adapter		
51			6-1.0 x 10mm Socket head bolt		
52			Blade guard		
53			5 x 5 x 50mm Key		
54			16-1.5mm Hex nut		
55			8-1.25 x 20mm Socket head bolt		
56			Bearing housing		
57			6203ZZ Bearing		
58			Shaft		
59			Pin		
60			18 x 50mm Socket head bolt		
61			5mm Flat washer		