

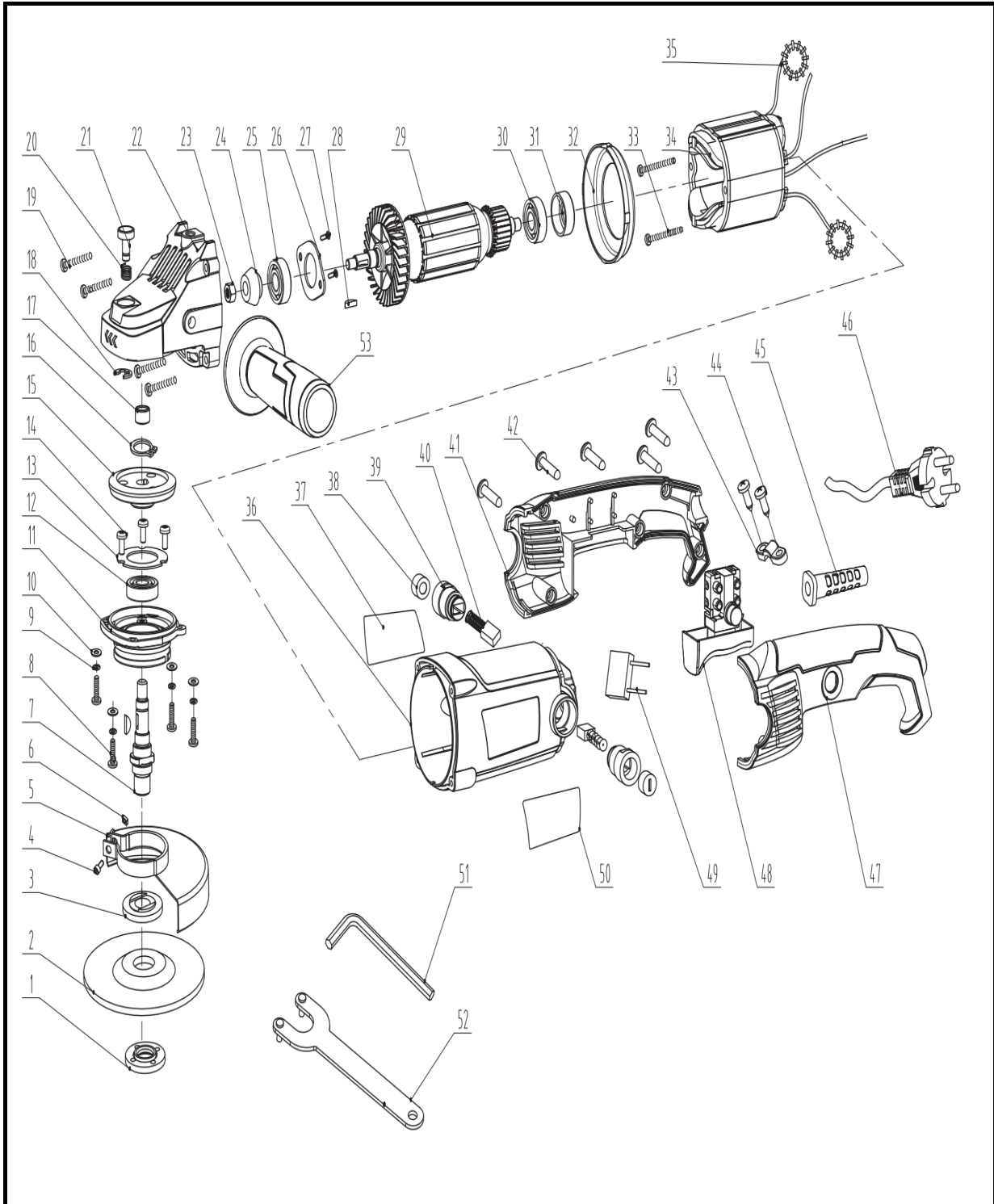


MINIPULIDORA 4/2" 1200 WATTS

Parte: Minipulidora

Código 381822

Modelo TKAG-115-H/  
TKAG1200-115




## MINIPULIDORA 4/2" 1200 WATTS

 Parte: Minipulidora

 Código 381822

 Modelo TKAG-115-H/  
TKAG1200-115

N°	Cód. Savake	Descripción Español	Descripción Ingles	Cant.	Observaciones
1			Wheel nut		
2			Grinder wheel		
3			Locating washer		
4			Inner hexagon screw m6x20		
5			Wheel guarder		
6			Square nut m6		
7			Spindle		
8			Screw m4x14		
9			Spring washer		
10			Plain washer		
11			Fore cover		
12			Bearing 6001-2z		
13			Fixing plate a		
14			Screw m4x10		
15			Big gear		
16			Shaft circlip 5		
17			Oil bearing 12x8x10		
18			Split circlip 5		
19			Screw st4.2x20		
20			Pin spring		
21			Self-locking pin		
22			Gear box		
23			Lock nut m6		
24			Little gear		
25			Bearing 6000-2z		
26			Fixing plate b		
27			Flat-head screw m4x10		
28			Woodruff key 3x10		
29	390146	INDUCIDO P/TKAG-115-H/TKAG1200-115	Rotor		
30			Bearing 627-27		
31			Bearing bush		
32			Wind guard		
33			Screw st4.2x70/75		
34	390237	CAMPO P/TKAG-115-H/TKAG1200-115	Stator		
35			Link spring		
36			House		
37			Name plate		
38			Brush holder cap		



39			Brush holder	
----	--	--	--------------	--

MINIPULIDORA 4/2" 1200 WATTS

Parte: Minipulidora

Código 381822

Modelo TKAG-115-H/  
TKAG1200-115

N°	Cód. Savake	Descripción Español	Descripción Ingles	Cant.	Observaciones
40	390252	CARBONES P/TKAG-115-H/TKAG1200-115	Carbon brush		
41			Right handle		
42			Screw st4.2x13		
43			Cable fixer		
44			Screw st4.2x13		
45			Cable armor		
46			Cable		
47			Left handle		
48	390245	SWITCH DE ENCENDIDO P/TKAG-115-H/TKAG1200-115	Switch		
49			Capacitor 0.22uf		
50			Trade mark		
51			Hex spanner 5mm		
52			Spanner		
53			Side handle		