

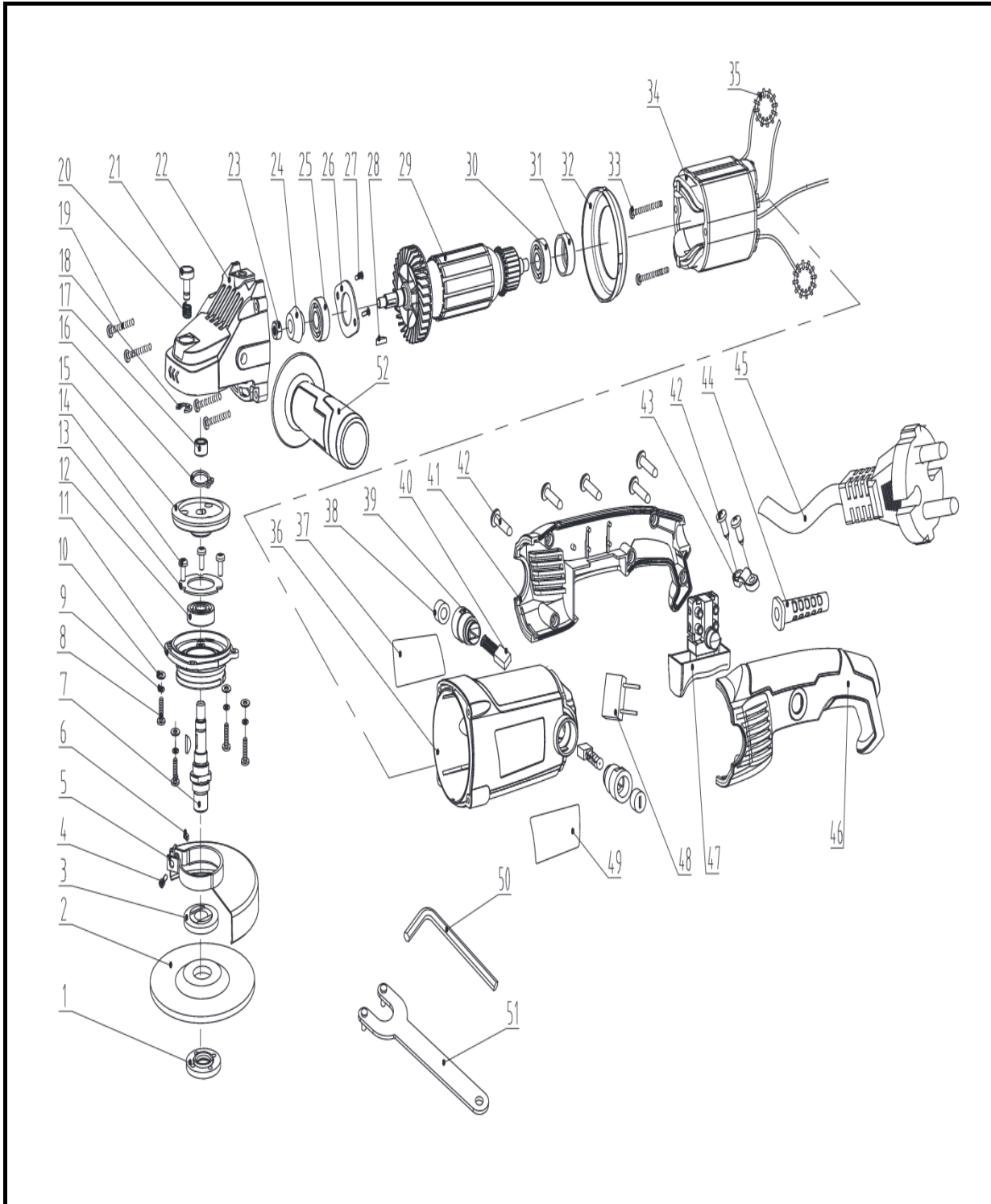


MINIPULIDORA 4 1/2" 900 WATTS

Parte: Minipulidora

Código 381798

Modelo TKAG-115-G



MINIPULIDORA 4 1/2" 900 WATTS

 Parte: Minipulidora

 Código 381798

 Modelo TKAG-115-G

N°	Cód. Savake	Descripción Español	Descripción Ingles	Cant.	Observaciones
1			Wheel nut		
2			Grinder wheel		
3			Locating washer		
4			Inner hexagon screw m6x20		
5			Wheel guarder		
6			Square nut m6		
7			Spindle		
8			Screw m4x14		
9			Spring washer		
10			Plain washer		
11			Fore cover		
12			Bearing 6201-2Z		
13			Fixing plate a		
14			Screw m4x10		
15	390112	ENGRANAJES P/TKAG-115-G	Big gear		
24			Little gear		
16			Shaft circlip 10		
17			Oil bearing 12x8x10		
18			Split circlip 5		
19			Screw st4.2x20		
20			Pin spring		
21			Self-locking pin		
22			Gear box		
23			Lock nut m6		
25			Bearing 6000-2z		
26			Fixing plate b		
27			Flat-head screw m4x10		
28			Woodruff key 3x10		
29	390070	INDUCIDO P/TKAG-115-G	Rotor		
30			Bearing 627-2Z		
31			Bearing bush		
32			Wind guard		
33			Screw ST4.2x6		
34	390088	CAMPO P/TKAG-115-G	Stator		
35			Link spring		
36			House		
37			Name plate		



MINIPULIDORA 4 1/2" 900 WATTS

Parte: Minipulidora

Código 381798

Modelo TKAG-115-G

N°	Cód. Savake	Descripción Español	Descripción Ingles	Cant.	Observaciones
38			Brush holder cap		
39			Brush holder		
40	390104	CARBONES P/TKAG-115-G	Carbon brush		
41			Right handle		
42			Screw ST4.2x14		
43			Cable fixer		
44			Cable armor		
45			Cable		
46			Left handle		
47	390096	SWITCH DE ENCENDIDO P/TKAG-115-G	Switch		
48			Capacitor 0.33uF		
49			Trade mark		
50			Hex spanner 5mm		
51			Spanner		
52			Side handle		