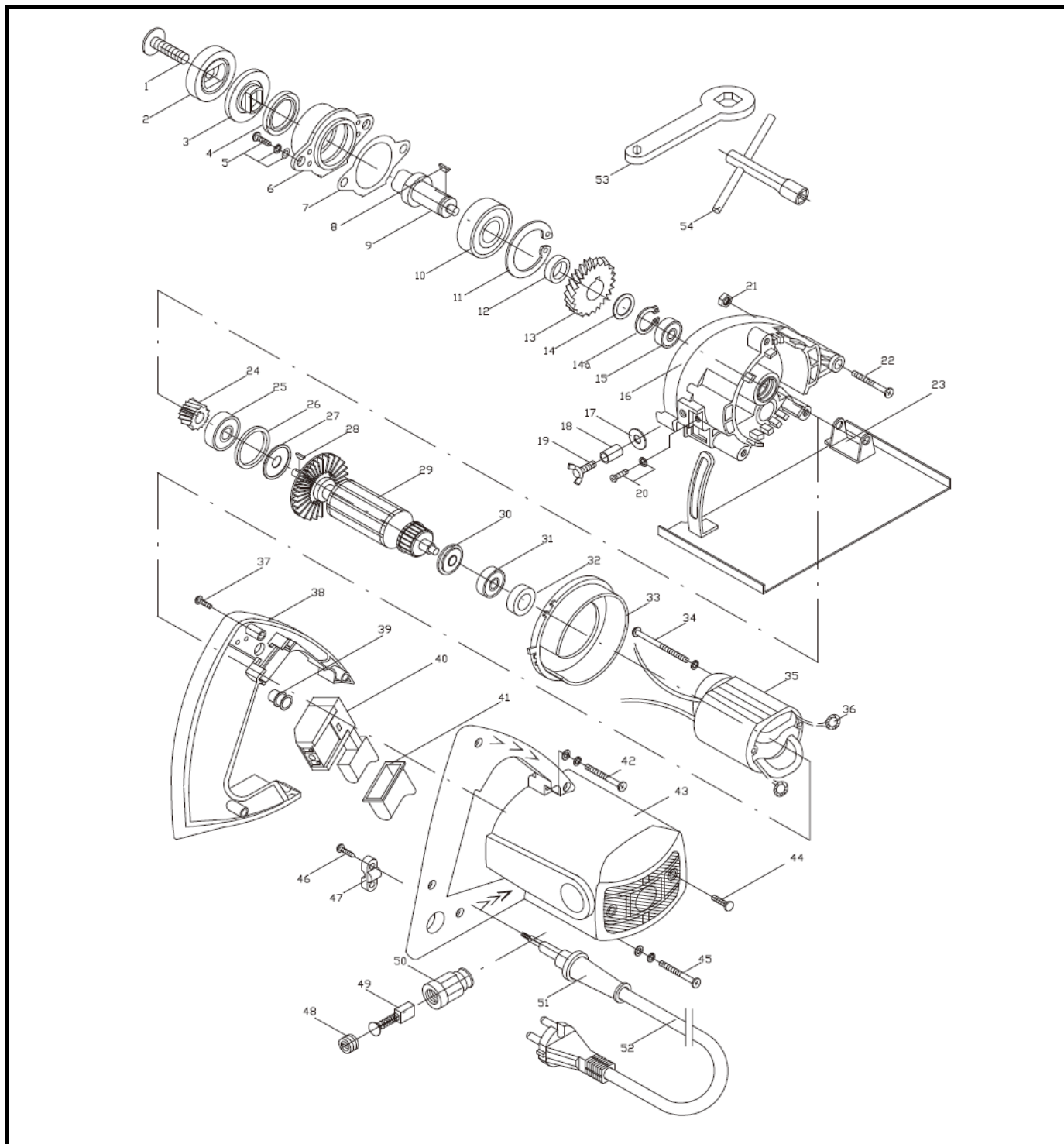


CORTADORA DE MARMOL 1300W 110MM

Parte: MÁQUINA

Código: 381749

Modelo: HDMC1300-110  
/TKMC-110-A





## CORTADORA DE MARMOL 1300W 110MM

 Parte: MÁQUINA

 Código: 381749

 Modelo: HDMC1300-110 /TKMC-110-A



N°	Cód. Savake	Descripción Español	Descripción Ingles	Cant.	Observaciones
1			Bolts and washer assembly		
2			Uper flange		
3			Lower flange		
4			Oil seal		
5			Screw		
6			Front cover		
7			Paper pad		
8			Woodruff key		
9			Output shaft		
10			Bearing, VV6201#(LFB)		
11			Snap ring		
12			Ring		
13	392118	ENGRANAJE P/HDMC1300-110 /TKMC-110-A	Gear		
24			Gear		
14 / 14a			Wave washer / Snap ring		
15			Bearing, HS606#		
16			Blade housing		
17			Flat washer		
18			Steel sleeve		
19			Butterfly screw		
20			Screw		
21			Hexagon locknut		
22			Screw		
23			Base plate		
25			Bearing, 629VV#		
26			Anti shake ring		
27			Dust proof sheet		
28			Woodruff key		
29	391995	INDUCIDO P/HDMC1300-110 /TKMC-110-A	Rotor		

## CORTADORA DE MARMOL 1300W 110MM

 Parte: MÁQUINA

 Código: 381749

 Modelo: HDMC1300-110 /TKMC-110-A

N°	Cód. Savake	Descripción Español	Descripción Ingles	Cant.	Observaciones
30			Dust proof sheet		
31			Bearing		
32			Bearing sleeve		
33			Intermediary ring		
34			Screw		
35	392019	CAMPO P/HDMC1300-110 /TKMC-110-A	Stator		
36			Spring		
37			Screw		
38			Handle Cover		
39			Lock button		
40	392050	SWITCH ON/OFF P/HDMC1300-110 /TKMC-110-A	Switch		
41			Switch cap		
42			Screw		
43			Motor housing		
44			Screw		
45			Screw		
46			Screw		
47			Cable clamp		
48			Brush holder cover		
49	392076	CARBONES P/HDMC1300-110 /TKMC-110-A	Carbon brush		
50			Brush holder		
51			Cable sheath		
52			Cord		
53			Wrench		
54			Socket wrench		