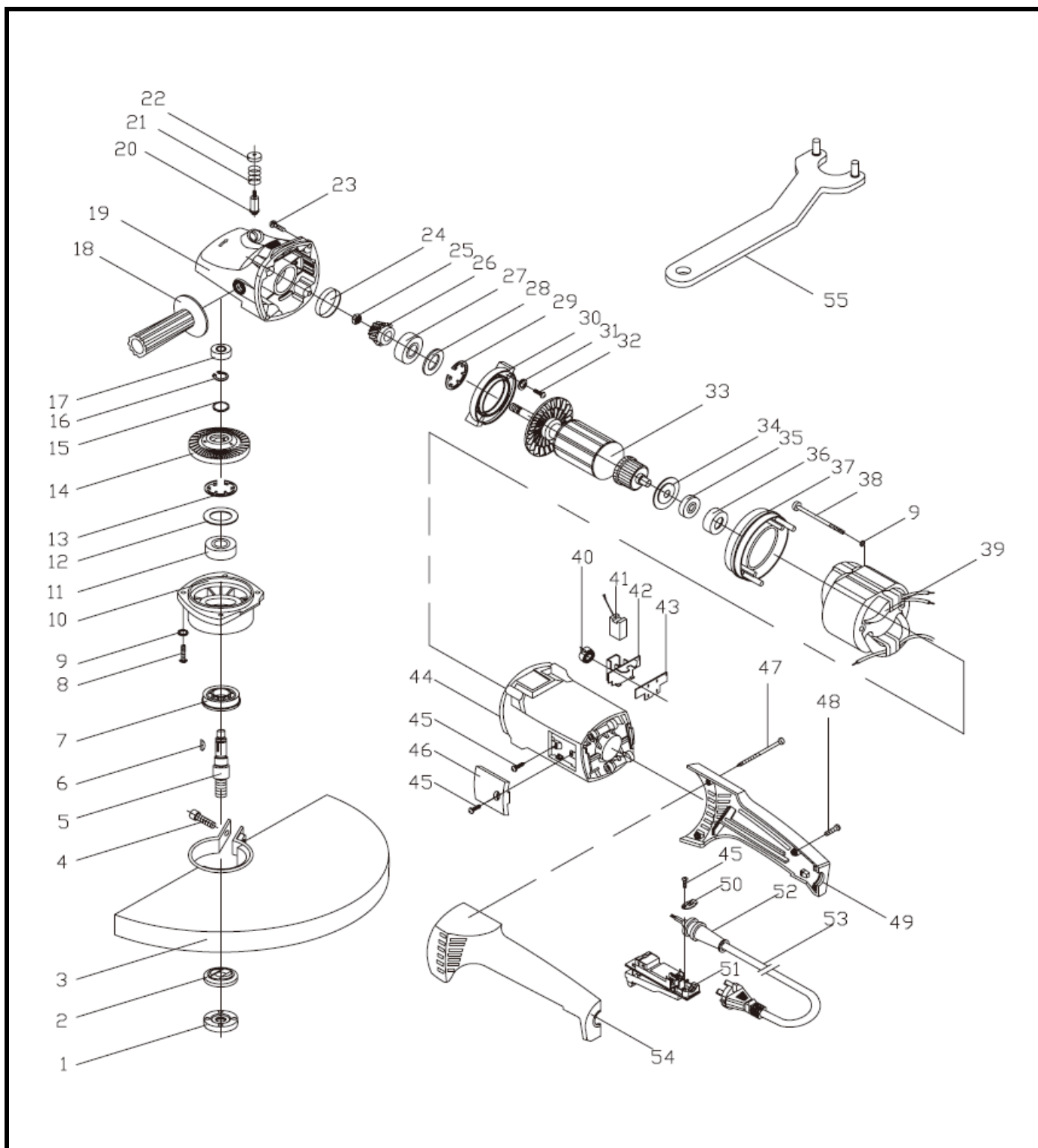


ESMERIL ANGULAR 180MM (7") 2200W - PULIDORA

Parte: MÁQUINA

Código: 378281

Modelo: TKAG-180-F




ESMERIL ANGULAR 180MM (7") 2200W - PULIDORA

 Parte: MÁQUINA

 Código: 378281

 Modelo: TKAG-180-F


N°	Cód. Savake	Descripción Español	Descripción Ingles	Cant.	Observaciones
1			The upper flange		
2			The lower flange		
3			Grinding wheel cover		
4			Hexagon head bolt		
5			Output shaft		
6			Woodruff key		
7			Shaft seal cover		
8			Screw		
9			Spring washer		
10			The front cover		
11			Bearing		
12			Front cover		
13			Snap ring		
14	391250	ENGRANAJE Y PIÑON P/TKAG-180-F	Gear		
26			Bevel gear		
15			Wave ring		
16			Snap ring		
17			Bearing		
18			Side handle		
19	482679	CAJA DEL ENGRANAJE P/TKAG-180-F	Front head		
20	482505	PIN DE BLOQUEO P/TKAG-180-F	Self locking pin		
21			Self locking spring		
22			Self locking cap		
23			Screw		
24			Shockproof ring		
25			Hexagon nut		
27			Bearing		
28			Intermediate capping		
29			Snap ring		
30			Snap ring		
31			Spring washer		
32			Screw		
33	391169	INDUCIDO P/TKAG-180-F	Armature		
34			Dust proof ring		
35			Bearing		

ESMERIL ANGULAR 180MM (7") 2200W - PULIDORA

 Parte: MÁQUINA

 Código: 378281

 Modelo: TKAG-180-F

N°	Cód. Savake	Descripción Español	Descripción Ingles	Cant.	Observaciones
36			Bearing sleeve		
37			Intermediate ring		
38			Screw		
39	391201	CAMPO P/TKAG-180-F	Stator		
40			Coil spring		
41	391235	CARBONES P/TKAG-180-F	Carbon brush		
42			Carbon brush holder		
43			Insulating sheet		
44			Motor housing		
45			Screw		
46			Side cover		
47			Screw		
48			Screw		
49			Right handle		
50			Cable clamp		
51	391227	SWITCH ON/OFF P/TKAG-180-F	Switch		
52			Cable sheath		
53			Cable		
54			Left handle		
55			Wrench		

VERSIÓN DESCONTINUADA