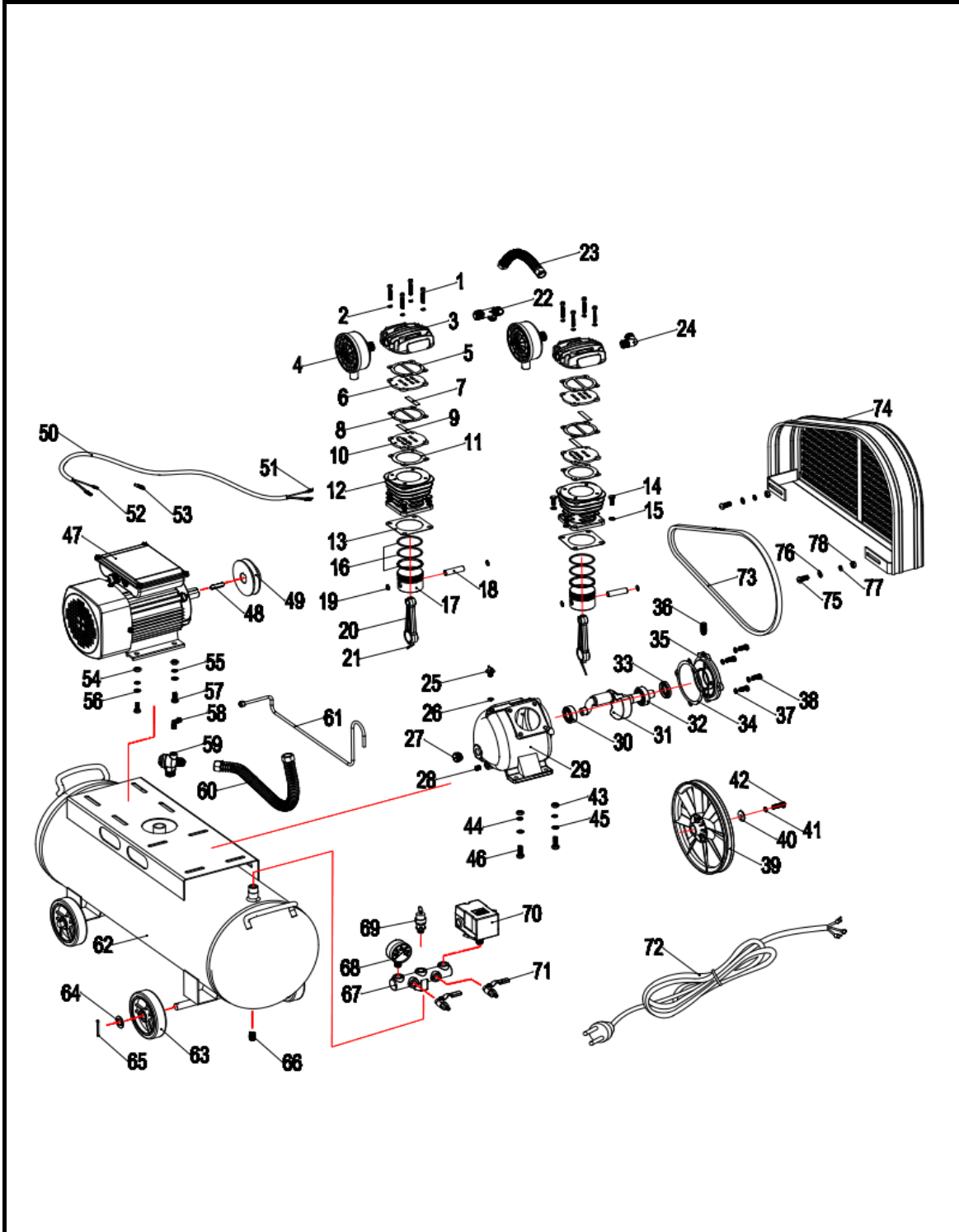


COMPRESOR 2HP 100LTS HORIZONTAL CORREA

Parte: Compresor

Código 348359

Modelo TKBDC-2100



COMPRESOR 2HP 100LTS HORIZONTAL CORREA

 Parte: Compresor

 Código 348359

 Modelo TKBDC-2100

N°	Cód. Savake	Descripción Español	Descripción Ingles	Cant.	Observaciones
1			Bolt		
2			Spring Washer		
3			Cylinder Head		
4			Air Filter		
5			Cylinder Head Gasket		
6			Valve Plate		
7			Intake valve		
8			Valve plate aluminum gasket		
9			Vent valve		
10			Valve plate		
11			Valve plate gasket		
12			Cylinder		
13			Cylinder gasket		
14			Bolt		
15			Spring Washer		
16			Piston ring		
17			Piston		
18			Piston pin		
19			Locking-ring		
20			Connecting rod		
21			Oil needle		
22			Exhaust three way pipe		
23			Connecting pipe		
24			Elbow		
25			Oil plug		
26			O-ring		
27			Oil leveler		
28			Bolt		
29			Crankcase		
30			Bearing		
31			Crank		
32			Bearing		
33			Oil seal		
34			Front cover gasket		
35			Front cover		
36			Breath pipe		
37			Spring Washer		
38			Bolt		
39			Pulley		
40			Plain washer		
41			Spring Washer		
42			Bolt		
43			Nut		

COMPRESOR 2HP 100LTS HORIZONTAL CORREA

 Parte: **Compresor**

 Código 348359

 Modelo TKBDC-2100

N°	Cód. Savake	Descripción Español	Descripción Ingles	Cant.	Observaciones
44			Spring Washer		
45			Plain washer		
46			Bolt		
47			Motor		
48			Motor pin		
49			Motor pulley		
50			Lead wire		
51			Terminal		
52			Terminal		
53			Insulating sheath		
54			Nut		
55			Spring Washer		
56			Plain washer		
57			Bolt		
58			Elbow		
59			Check valve		
60			Exhaust pipe		
61			Unloading tube		
62			Air tank		
63			Wheel		
64			Plain washer		
65			Pin		
66			Drain valve		
67			Air cock assembly		
68			Pressure gaufe		
69			Safety vlave		
70			Pressure switch		
71			Ball valve		
72			Plug cord		
73			Belt		
74			Safety net		
75			Bolt		
76			Plain washer		
77			Spring Washer		
78			Nut		