

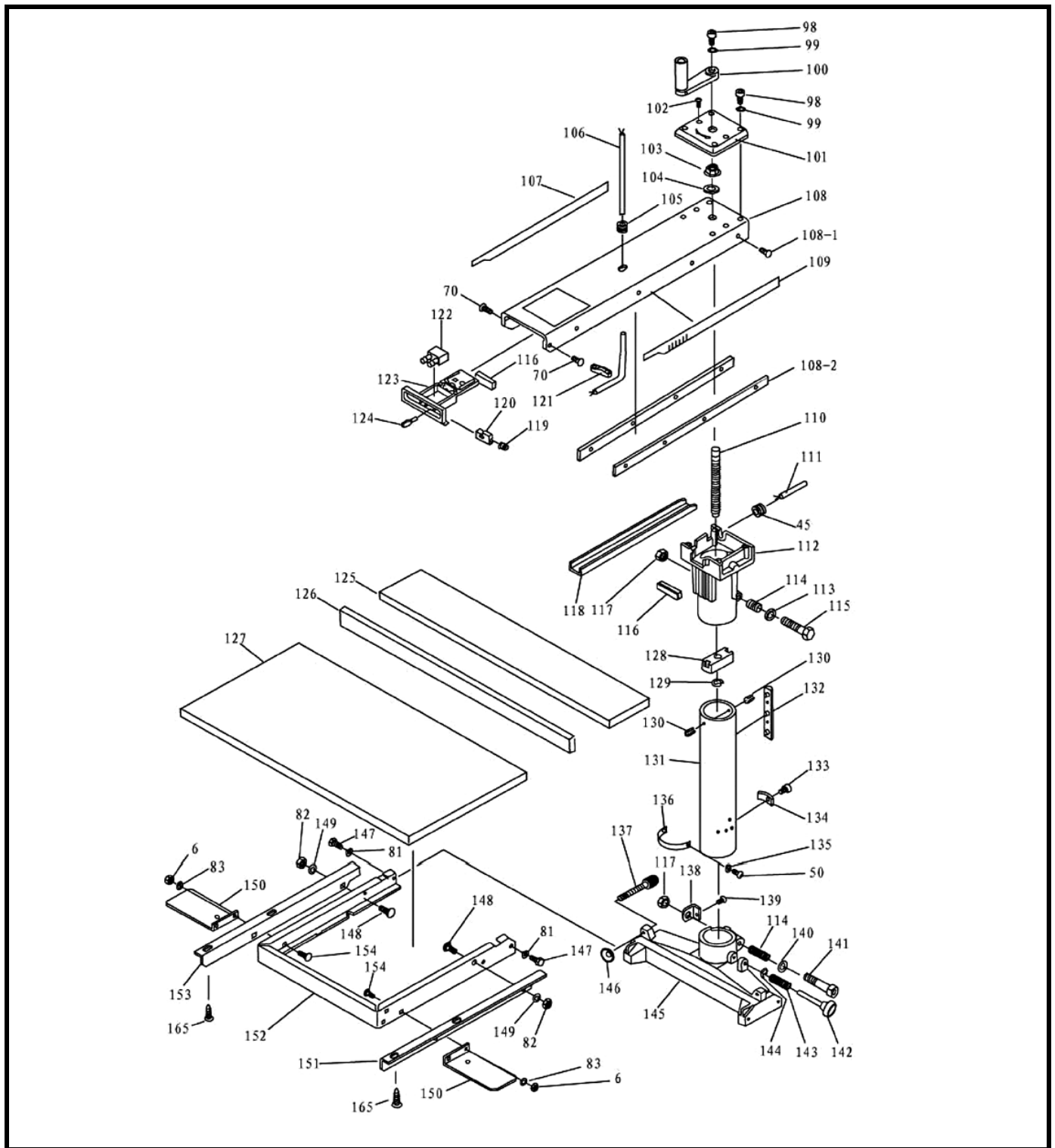


INGLETEADORA BRAZO RADIAL 210MM 1380W

Parte: **BRAZO RADIAL**

Código: **323683**

Modelo: HDMRS1380-10  
/TKRS-10

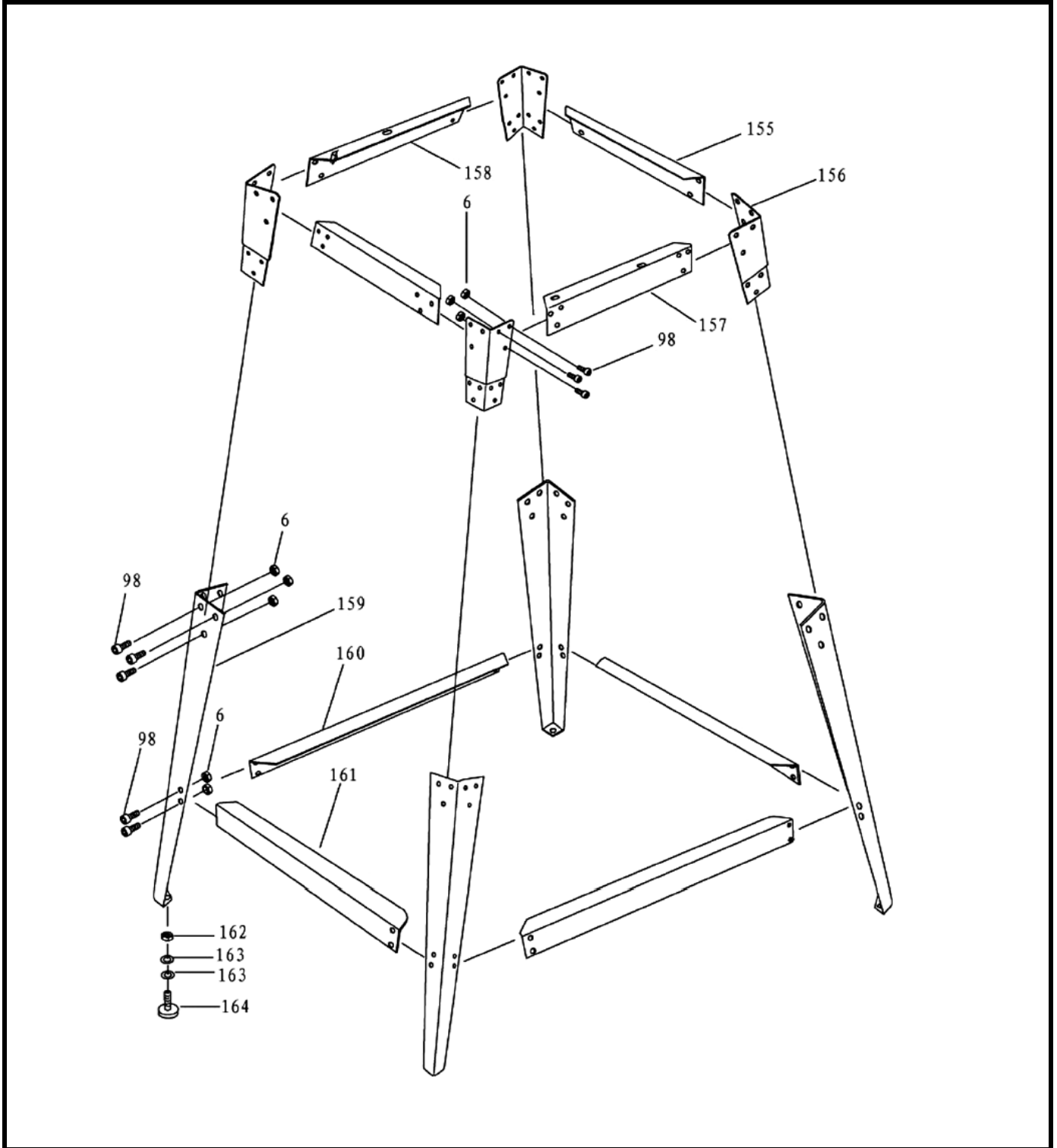


INGLETEADORA BRAZO RADIAL 210MM 1380W

Parte: MESA

Código: 323683

Modelo: HDMRS1380-10  
/TKRS-10




## INGLETEADORA BRAZO RADIAL 210MM 1380W

 Parte: MÁQUINA

 Código: 323683

 Modelo: HDMRS1380-10 /TKRS-10

N°	Cód. Savake	Descripción Español	Descripción Ingles	Cant.	Observaciones
1			Name Plate		
2			Screw		
3			washer		
4			Dust Guide		
5			Fixed Knob		
6			Nut		
7			Guard Clamping Screw		
8			Flexible Guard		
9			Sign		
10			Fixed Guard		
11			Guard Plate		
12			Spring Washer		
13			Rachet Assembly		
14			Stud Bolt		
15			Bolt		
16			Blade Binder		
17			Saw Blade		
18			Down Platen		
19			Gear Shaft		
20			Pressure Spring		
21			Retaining Ring		
22			Stopper Pin		
23			Key		
24			Tapping Screw		
25			Screw		
26			Fore Cover		
27			Screw		
28			Bearing		
29			Stopper Washer		
30	389650	ENGRANAJE P/HDMRS1380-10 /TKRS-10	Output Gear		

## INGLETEADORA BRAZO RADIAL 210MM 1380W

 Parte: MÁQUINA

 Código: 323683

 Modelo: HDMRS1380-10 /TKRS-10

N°	Cód. Savake	Descripción Español	Descripción Ingles	Cant.	Observaciones
31			Retaining Ring		
32			Needle Bearing		
33			Wood Screw		
34			Thin Washer		
35			Middle Shaft		
36			Needle Bearing		
37	389650	ENGRANAJE P/HDMRS1380-10 /TKRS-10	Middle Gear		
38			Tapping Screw		
39			Gear Case Cover		
40			Bearing		
41			Fan Guide		
42	389593	INDUCIDO P/HDMRS1380-10 /TKRS-10	Fan		
43			Rotor		
44	389619	CAMPO P/HDMRS1380-10 /TKRS-10	Stator		
45			Cable Coil		
46			Cable Clip		
47			Tapping Screw		
48			Cable Cover		
49			Tapping Screw		
50			Screw		
51			End Cap		
52			Grip Nut		
53			Coned Collet Chuck		

## INGLETEADORA BRAZO RADIAL 210MM 1380W

 Parte: MÁQUINA

 Código: 323683

 Modelo: HDMRS1380-10 /TKRS-10


N°	Cód. Savake	Descripción Español	Descripción Ingles	Cant.	Observaciones
54			Brush Holder		
55	389635	CARBONES P/HDMRS1380-10 /TKRS-10	Carbon Brush		
56			Brush Holder Cover		
57			Tilt Stop Bolt		
58			Pressure Spring		
59			Handle Cover		
60			Tapping Screw		
61			Tapping Screw		
62			Handle Cover		
63			Spring Pin		
64			Collet Nut		
65			Screw		
66			Clamp Handle		
67			Spring Board		
68			Scale Label Board		
69			Dial Disc		
70			Tapping Screw		
71			Lock On Knob		
72			Pressure Spring		
73			Circlips for shaft		
74			Knob Bolt		
75			Knob Pin		
76			Bearing Shaft		
77			Bearing		
78			Stopper Shaft		
79			Thin Washer		
80			Carriage		
81			Spring Washer		
82			Nut		
83			Washer		
84			Fixed Spring Leaf		
85			Hex.Head Bolt		
86			Small Switch Baffle		
87			Plastic Handle		

## INGLETEADORA BRAZO RADIAL 210MM 1380W

 Parte: **MÁQUINA**

 Código: 323683

 Modelo: HDMRS1380-10 /TKRS-10

N°	Cód. Savake	Descripción Español	Descripción Ingles	Cant.	Observaciones
88			Pressure Spring		
89			Cross Baffle		
90			Spacer		
91			Pressure Spring		
92			Small Switch Pin		
93			Small Switch		
94			Screw		
95			Washer		
96			Spring Washer		
97			Plastic Handle Cover		
98			Screw		
99			Spring Washer		
100	392332	MANIVELA P/HDMRS1380-10 /TKRS-10	Sway Handle		
101			Sway Arm Cap		
102			Screw		
103			Collet Nut		
104			Washer		
105			Cord Clamp		
106			Lead Wire		
107			Scale Label (Left)		
108			Sway Arm		
108-1			Countersunk flat head screws		
108-2			Knighthead		
109			Scale Label (Right)		
110			Feed Screw		
111			Cable		
112			Sway Arm Base		
113			Washer		
114			Pressure Spring		
115			Bolt		

## INGLETEADORA BRAZO RADIAL 210MM 1380W

 Parte: MÁQUINA

 Código: 323683

 Modelo: HDMRS1380-10 /TKRS-10

N°	Cód. Savake	Descripción Español	Descripción Ingles	Cant.	Observaciones
116			Buffer Piece		
117			Nut		
118			Cable Cover		
119			Pressure Spring		
120			Fixed Bolster		
121			Cable Binder		
122	389627	SWITCH ON/OFF P/HDMRS1380-10 /TKRS-10	Switch		
123			Switch Case		
124			Switch Lock Pin		
125			Table (C)		
126			Table (b)		
127			Table (a)		
128			Guide Post Nut		
130			Spring Pin		
131			Column		
132			Guide Rail		
133			Screw		
134			Spacer		
135			Washer		
136			Stuff Gauge		
137			Table Grip Screw		
138			Column Clamping Washer		
139			Screw		
140			Washer		
141			Bolt		
142			Column Fixing Pin		
143			Pressure Spring		
144			Circlips for shaft		



## INGLETEADORA BRAZO RADIAL 210MM 1380W

 Parte: MÁQUINA

 Código: 323683

 Modelo: HDMRS1380-10 /TKRS-10

N°	Cód. Savake	Descripción Español	Descripción Ingles	Cant.	Observaciones
145			Column Base		
146			Table Clamp		
147			Bolt		
148			Round Head Bolt		
149			Washer		
150			Auxiliary Baseboard		
151			Fixed Base (right)		
152			Base		
153			Fixed Base (left)		
154			Round Head Bolt		
155			Backboard (above)		
156			Vertical Backboard (Above)		
157			backboard		
158			backboard		
159			Vertical Backboard (Below)		
160			Horizontal Backboard (Long)		
161			Horizontal Backboard (Short)		
162			Nut		
163			Washer		
164			Cushion		
165			Tapping Screw		
166			Motor Housing		