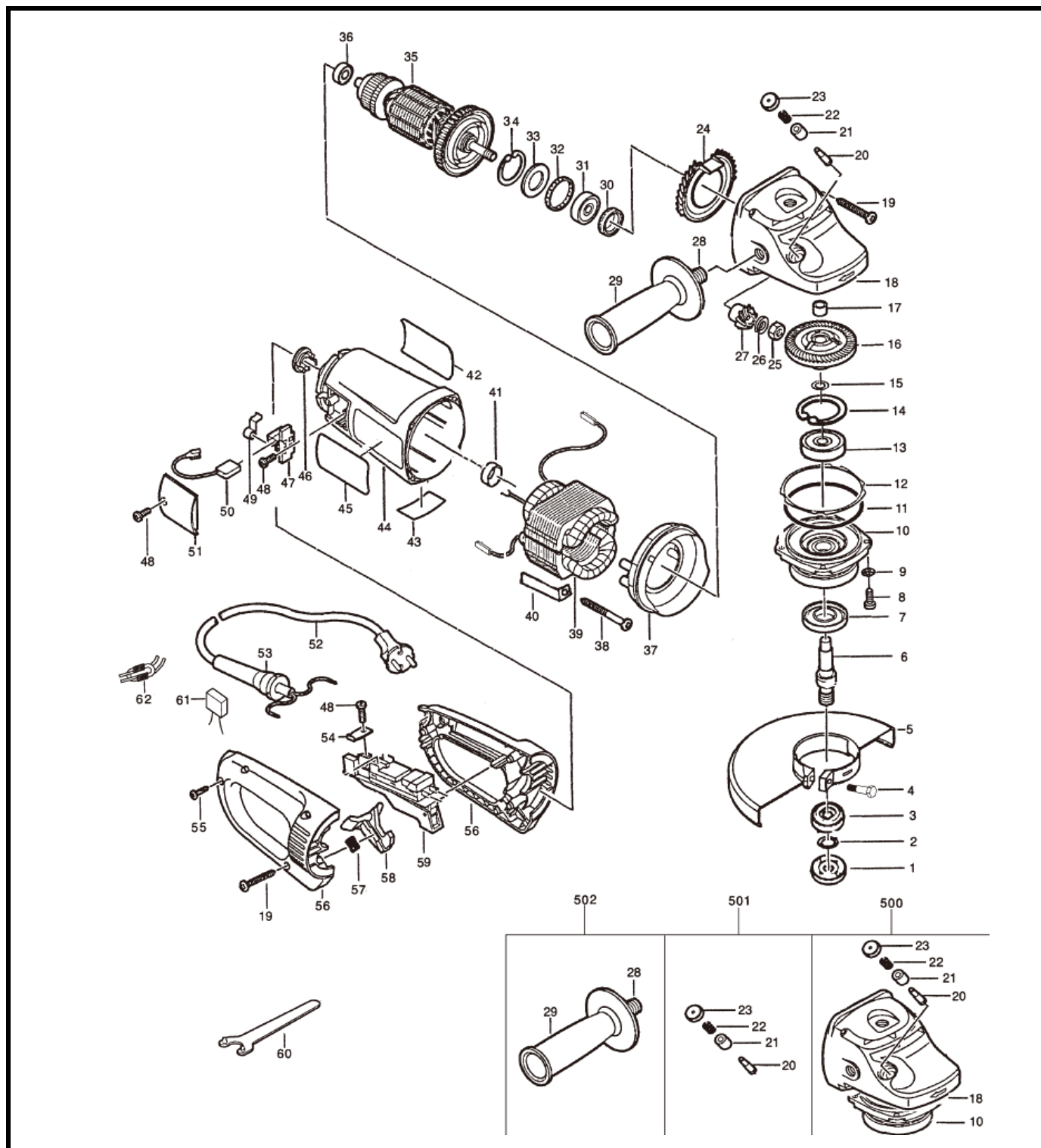


ESMERIL ANGULAR 2400W 180MM (7") - PULIDORA

Parte: MÁQUINA

Código: 147660

Modelo: TKAG-180-C



ESMERIL ANGULAR 2400W 180MM (7") - PULIDORA

Parte: MÁQUINA

Código: 147660

Modelo: TKAG-180-C



N°	Cód. Savake	Descripción Español	Descripción Ingles	Cant.	Observaciones
1			Outer Plate		
2			O-Ring		
3			Inner Plate		
4			Hex Screws		
5			Wheel Cover		
6			Output Shaft		
7			Dust Plate		
8			Screws		
9			Flower Cushion		
10			Bearing House		
11			O-Ring		
12			Stainless Steel Adjustment Pad		
13			Bearing 6203		
14			Retainer		
15			Washer		
16	389387	ENGRANAJE P/TKAG-180-C	Large Bevel Gear		
17			Needle Roller Bearings HK1010		
18			Gearbox		
19			Self-Tapping Screws		
20			Latch		
21			Latch Sets		
22			Latch Spring		
23			Latch Cap		
24			Inlet Cone		
25			Nut		
26			Spring Washer		
27			Small Bevel Gear		
28			Hex Screws		
29			Hand Side		
30			Iron Wool Seal		
31			Bearing		
32			Rubber Band		
33			Washer		
34			Hole With A Retainer		

## ESMERIL ANGULAR 2400W 180MM (7") - PULIDORA

 Parte: MÁQUINA

 Código: 147660

 Modelo: TKAG-180-C

N°	Cód. Savake	Descripción Español	Descripción Ingles	Cant.	Observaciones
35	389338	INDUCIDO P/TKAG-180-C	Rotor Installed		
36			Bearing		
37			Wind Ring		
38			Self-Tapping Screw With Pad		
39	389346	CAMPO P/TKAG-180-C	Stator		
40			Stator Plate		
41			Bearing Sleeve		
42			Back Label		
43			Insert Card		
44			Housing		
45			Nameplate		
46			Housing Back Cap		
47			Brush Holder		
48			Self-Tapping Screw With Pad		
50	389379	CARBONES P/TKAG-180-C	Brush		
50	319624	CARBON KIT P/TKAG-180-C	Brush		
51			Brush Holder Cover		
52			Cord		
53			Cable Sheath		
55			Self-Tapping Screw With Pad		
56			Switch Handle		
57			Spring		
58			Handle Locking Device		
49	389353	SWITCH ON/OFF P/TKAG-180-C	Coil Spring		
54			Cord Clamp		
59			Switch		
60			Wheel Wrench		
500			Gearbox Components		
501			Latch Components		
502			Side Of The Handle Assembly		