

CORTACESPÉD 21" AUTOPROPULSADA 4 EN 1

Parte: MOTOR

Código 518100

Modelo XLM21A4

N°	Cód. Savake	Descripción Español	Descripción Ingles	Cant.	Observaciones
1	531210	CARTER ACEITE P/XLM21A4	CRANKCASE	1	
2			SEAL,GOVERNOR ARM SHAFT	1	
3			SHAFT,GOVERNOR ARM	1	
4			WASHER,GOVERNOR ARM SHAFT	1	
5			PIN,LOCK	1	
6			BALL BEARING	1	
7			OIL SEAL	1	
8			PISTON	1	
9			SCRAPER RING SET ,PISTON	1	
10	531061	BIELA P/XLM21A4	ROD ASSEMBLY., CONNECTING	1	
11			PIN, PISTON	1	
12			CLIP, PISTON	2	
13			COVER ASSEMBLY, CRANKCASE	1	
14			WASHER,DRAIN PLUG	1	
15			BOLT, DRAIN PLUG	1	
16			OIL SEAL	1	
17			GOVERNOR ASSEMBLY	1	
18			BOLT M6X12	14	
19			CYLINDER HEAD	1	
20			VALVE,IN	1	
21			VALVE EXHAUST	1	
22			RETURNER,INTAKE VALVE	1	
23			SPRING,VALVE	2	
24			SEAT, VALVE SPRING,IN	2	
25			PLATE,PUSH ROD GUIDE	1	
26			ROCKER ASSY	2	
27	531103	CABURADOR P/XLM21A4	CARBURETOR ASSEMBLY	1	
28			FUEL LINE	1	
29			CLIP,FUEL LINE Φ10	2	
30			GOVERNOR ARM	1	
31				1	
32			NUT M6	5	
33			THE THROTTLE LEVER	1	
34			SPRING,THROTTL RETURN	1	
35	531095	CIGÜEÑAL P/XLM21A4	CRANKSHAFT ASSEMBLY	1	
36			PIPE, OIL DEFENSE	1	
37	531194	TAQUETES P/XLM21A4	LIFTER,VALVE	2	
38			DOWEL PIN,CASECOVER	1	
39			BOLT	2	
40			PACKING,CASECOVER	1	
41	531087	ARBOL DE LEVAS P/XLM21A4	CAMSHAFT ASSEMBLY	1	
42			WASHER,CRANKSHAFT	1	
43			BOLT M6X30	2	

CORTACESPÉD 21" AUTOPROPULSADA 4 EN 1

Parte: MOTOR

Código 518100

Modelo XLM21A4

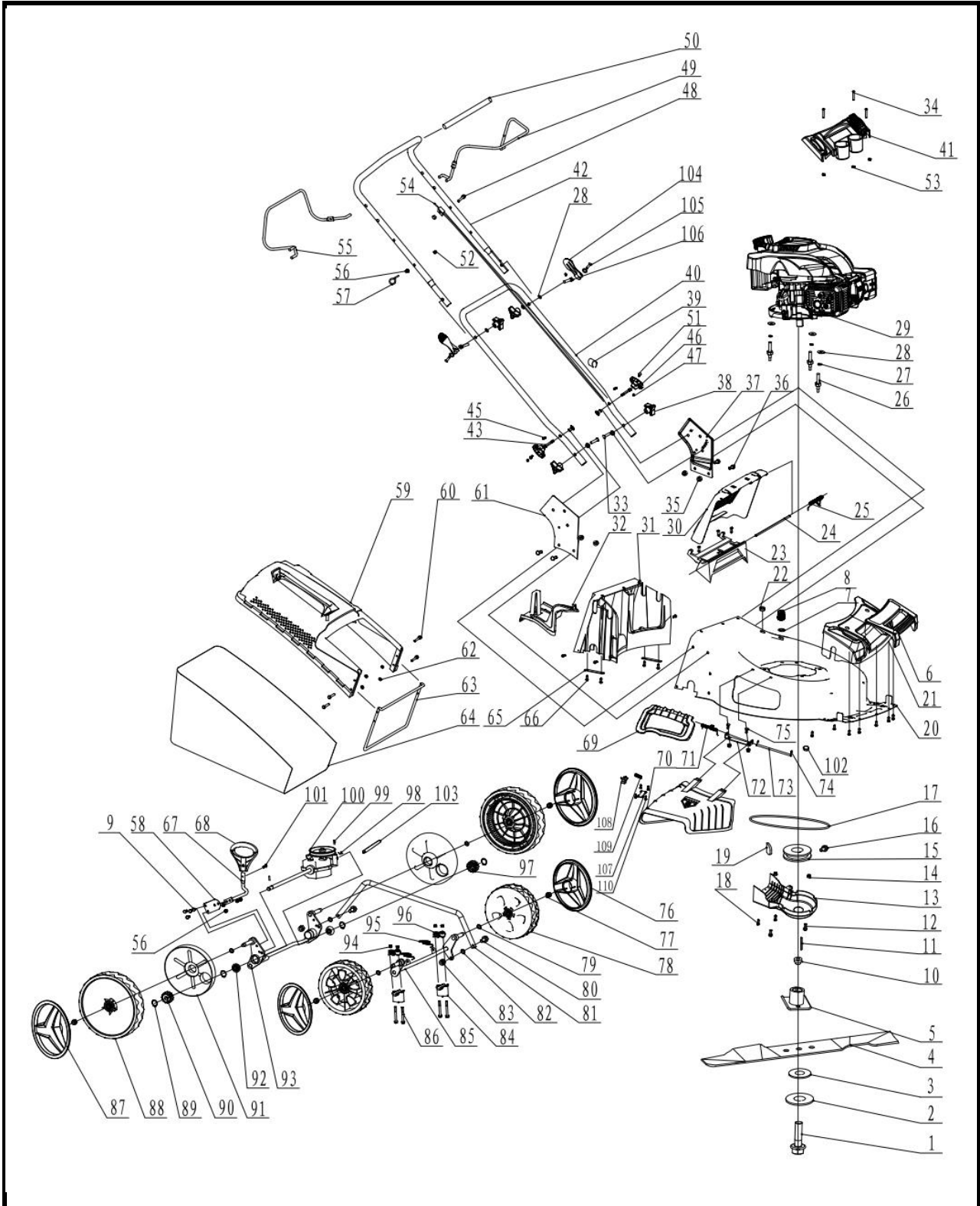
N°	Cód. Savake	Descripción Español	Descripción Ingles	Cant.	Observaciones
44			NUT M6	1	
45			COVER,BREATHER VALVE	1	
46			SHROUD B	1	
47			GASKET,BREATHER CHAMBER	1	
48			CAP,BREATHER CHAMBER	1	
49			PIN, DOWEL	2	
50			GASKET,CYLINDER HEAD	1	
51			BOLT M8X50	10	
52	531186	BALANCINES P/XLM21A4	ROD,PUSH	2	
53			EXTENSION, OIL FILLER	1	
54			COVER COMP,CYLINDER HEAD	1	
55			PACKING,HEADCOVER	1	
56			SPARK PULG	1	
57			SHROUD C	1	
58			DIPSTICK	1	
59			BOLT M6X20	1	
60			THE FLYWHEEL COMPONENTS	1	
61	531020	VOLANTE METÁLICO P/XLM21A4	FAN,RECOIL STARTER	1	
62			PULLEY,STARTER	1	
63			NUT M14	1	
64			BOLT M6X16	1	
65	531053	BOBINA DE ENCENDIDO P/XLM21A4	IGNITION COIL ASSY	1	
66			BOLT STUD,IGNITION COIL	1	
67			BOLT STUD,RECOIL STARTER	1	
68			BOLT	2	
69			PACKING,INTAKE	1	
70	531202	INSULADOR CARBURADOR P/XLM21A4	INSULATOR,CARBURETOR	1	
71			PACKING,CARBURETOR	1	
72			GASKET,AIR CLEANER	1	
73			SHROUD ASSY,UPPER	1	
74			DOWEL PIN,CASECOVER	1	
75			PACKING,EXHAUST	1	
76			CLIP,WIRE HARNESS	1	
77			SPRING,GOVERNOR	1	
78			TUBE,BREATHER	1	
79	531145	FILTRO DE AIRE COMPLETO P/XLM21A4	AIR CLEANER ASSEMBLY	1	
80			BOLT STUD,RECOIL STARTER	1	
81			HOOD,FAN	1	
82	531285	ARRANQUE COMPLETO P/XLM21A4	COVER,FAN	1	
83			SHIELD,OUT MUFFLER	1	
84	531046	TAPA TANQUE COMBUSTIBLE P/XLM21A4	FUEL TANK CAP COMP	1	
85			FILTER	1	
86	531178	EXOSTO P/XLM21A4	MUFFLER COMP	1	

CORTACESPÉD 21" AUTOPROPULSADA 4 EN 1

Parte: CORTACÉSPED

Código 518100

Modelo XLM21A4



CORTACESPÉD 21" AUTOPROPULSADA 4 EN 1

Parte: CORTACÉSPED

Código 518100

Modelo XLM21A4

N°	Cód. Savake	Descripción Español	Descripción Ingles	Cant.	Observaciones
1			BOLT 3/8-24UNFX45	1	
2			FLAT WASHER	1	
3			WASHER	1	
4	530741	CUCHILLA P/XLM21A4	BLADE	1	
5			FAN BLADE HOLDER	1	
6			HOOD HANDLE	1	
7			O-RINGS	1	
8			WASH MOUTH	1	
9			BOLT GB5783 M6X14	4	
10			BUSH (BLADE ADAPTER)	1	
11			KEY	1	
12			BOLT M6X16	2	
13			BELT COVER	1	
14			BOLT GB6318 M6	4	
15			INITIATIVE PULLEY	1	
16			BOLT M6X8	2	
17	530733	CORREA P/XLM21A4	BELT V Z813	1	
18			SCREW KAL50x12	8	
19			KEY	1	
20			DECK	1	
21			DECORATIVE COVER (FRONT)	1	
22			CABLE PROTECTION PIPE	1	
23			PLASTIC PART	1	
24			AXLE(REAR COVER)	1	
25			TORSIONAL SPRING (REAR COVER)	1	
26			BOLT WITH DISC M8X30	3	
27			SPRING WASHER	3	
28			WASHER Ø8.4XØ24X2	9	
29			ENGINE DV196	1	
30			REAR COVER	1	
31			BACK PANEL	1	
32			MULCHING PLUG	1	
33			BOLT	4	
34			SCREW M5X30	3	
35			NUT M8	4	
36			BOLT M8X20	4	
37			LEFT HANDLE SUPPORT	1	
38			KNOB(BIG)	4	
39			CLIP	1	
40			LOWER HANDLE	1	
41			THE CONTROL PANEL	1	
42			UPPER HANDLE	1	
43			PIN	2	

CORTACESPÉD 21" AUTOPROPULSADA 4 EN 1

Parte: CORTACÉSPED

Código 518100

Modelo XLM21A4

N°	Cód. Savake	Descripción Español	Descripción Ingles	Cant.	Observaciones
44			BUSH	2	
45			SPRING	2	
46			KNOB	2	
47			NUT M3	2	
48			BOLT	1	
49	531277	PALANCA DE FRENO P/XLM2	BRAKE LEVEL	1	
50			SOFT GRIP	1	
51			SCREW M3×12	2	
52			NUT GB923	3	
53			BUTTERFLY NUT M5	3	
54	531269	GUAYAS ACELERACIÓN Y FRE	DRIVE THE FLAMEOUT DOUBLE CA	1	
55	531251	EMBRAGUE P/XLM21A4	CLUTCH LEVER	1	
56			NUT M6	1	
57			ROPE GUIDE SUPPORT	1	
58			SPRING LAMINATION(HEIGHT ADJU	1	
59			GRASS BOX COVER	1	
60			SCREW M5X22	4	
61			RIGHT HANDLE SUPPORT	1	
62			NUT M5	4	
63			FRAME	1	
64			FABRIC BAG	1	
65			REAR AXLE PLANK (R)	2	
66			SCREW ST6.3X16F	13	
67			HEIGHT ADJUSTER LEVEL	1	
68			HEIGHT ADJUSTER COVER	1	
69			SIDE DISCHARGE COVER	1	
70			SIDE DISCHARGE CHUTE	1	
71			TORSIONAL SPRING	1	
72			BRACKET(SIDE DISCHARGE COVER)	1	
73			AXLE(SIDE DISCHARGE COVER)	1	
74			CIRCLIP	3	
75			BOLT GB801 M6X14	2	
76			WHEEL COVER	2	
77			NUT GB6182 M10	4	
78			FRONT WHEEL	2	
79			FLAT WASHER GB955	4	
80			FIXED BOLT	2	
81			HEIGHT ADJUSTMENT LINK BAR	1	
82			WASHER Ø8.4*16*2.4	2	
83			NUT GB6182 M6	6	
84			HOLD HOOP	2	
85			FRONT WHEEL AXLE	1	
86			BOLT M6X50	4	

CORTACESPÉD 21" AUTOPROPULSADA 4 EN 1

Parte: CORTACÉSPED

Código 518100

Modelo XLM21A4

N°	Cód. Savake	Descripción Español	Descripción Ingles	Cant.	Observaciones
87			WHEEL COVER	2	
88			REAR WHEEL	2	
89			CIRCLIP	4	
90			RIGHT GEAR ASSY	1	
91			INNER WHEEL COVER	2	
92			BALL BEARING	2	
93			REAR WHEEL AXLE	1	
94			BOLT GB41 M6	4	
95			HEIGHT ADJUSTER SPRING	2	
96			HOLD HOOP	2	
97			LEFT GEAR ASSY	1	
98			SPRING	1	
99			GEAR PIN(TRANSMISSION)	2	
100			GEAR BOX	1	
101			SCREW M6X10	1	
102			FLYWHEEL NUT M14X1.5	1	
103			THE METAL CLIP	1	
104			QUICKLY LOCK THE HANDLE	2	
105			BOLT M8X68	2	
106			PIN PHI 6	2	
107			LOCKING BIT COVER PLATE	1	
108			SIDE COVER LATCH	1	
109			SIDE ROW LATCHING SPRING	1	
110			SCREW ST2.9 X9F	4	