

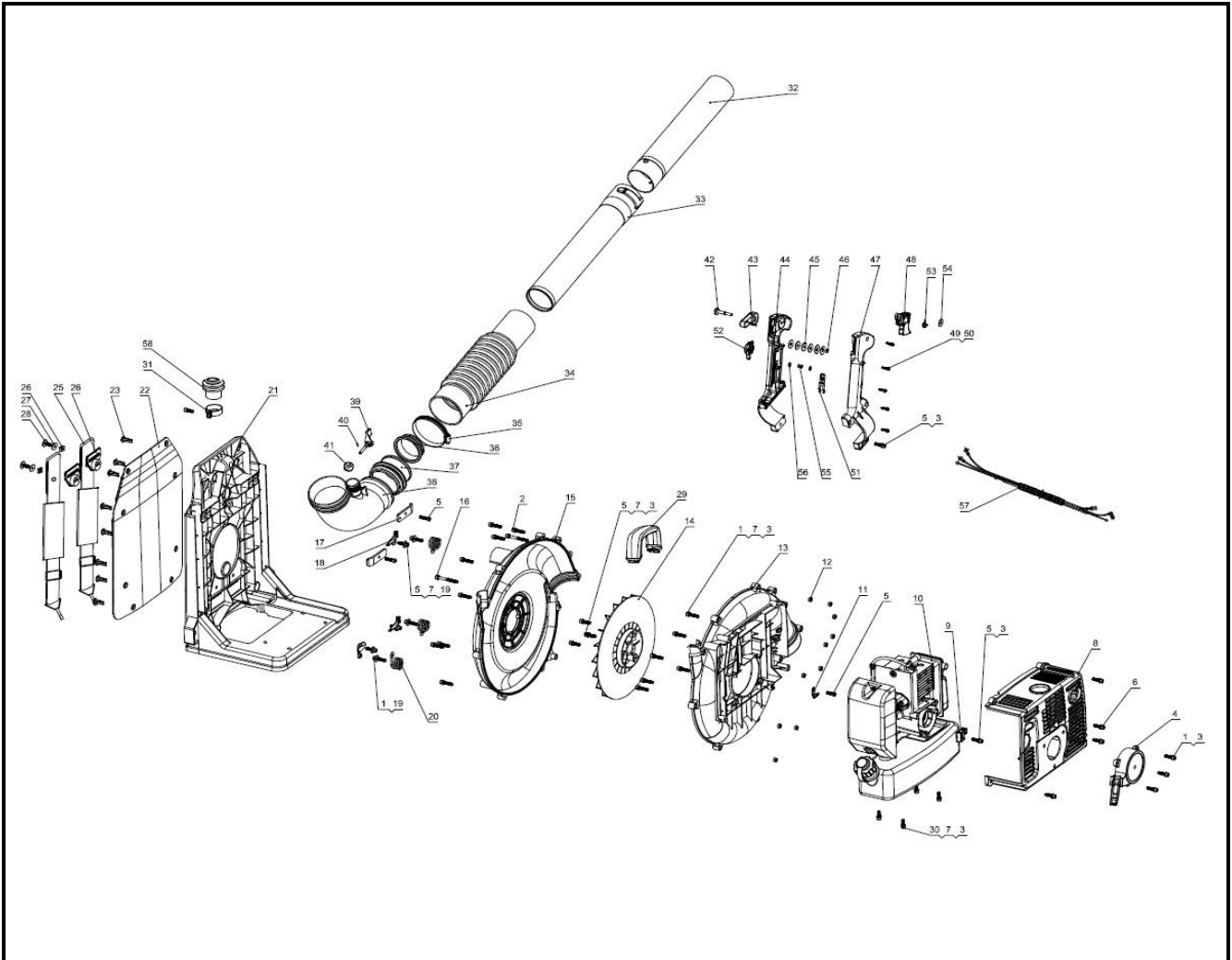
SOPLADOR 57CC

SOPLADORA

Parte: _____

Codigo: 512749

Modelo: XBB57



| NO. | Cod. Savake | Descripción Español | Descripción Inglés | Cant. | Observaciones |
|-----|-------------|---------------------|--|-------|---------------|
| 1 | | | ALLEN SCREW M5X20 | 8 | |
| 2 | | | ALLEN SCREW M5X25 | 11 | |
| 3 | | | LOCK WASHER | 6 | |
| 4 | | | REWIND STARTER | 1 | |
| 5 | | | ALLEN SCREW M5X25 | 18 | |
| 6 | | | ALLEN SCREW M5X20 | 4 | |
| 7 | | | FLAT WASHER M5 | 9 | |
| 8 | | | SHROUD | 1 | |
| 10 | | | ENGINE | 1 | |
| 11 | | | CLIP | 1 | |
| 12 | | | HEXAGON NUT M5 | 10 | |
| 13 | | | FAN HOUSING, OUTER | 1 | |
| 14 | | | FANWHEEL | 1 | |
| 15 | | | FAN HOUSING | 1 | |
| 16 | | | SCREW M5X50 | 2 | |
| 18 | | | BRACKET | 3 | |
| 19 | | | WASHER $\phi 15,7 \times \phi 5,2 \times \phi 2$ | 6 | |

SOPLADOR 57CC

Parte: SOPLADORA

Codigo: 512749

Modelo: XBB57

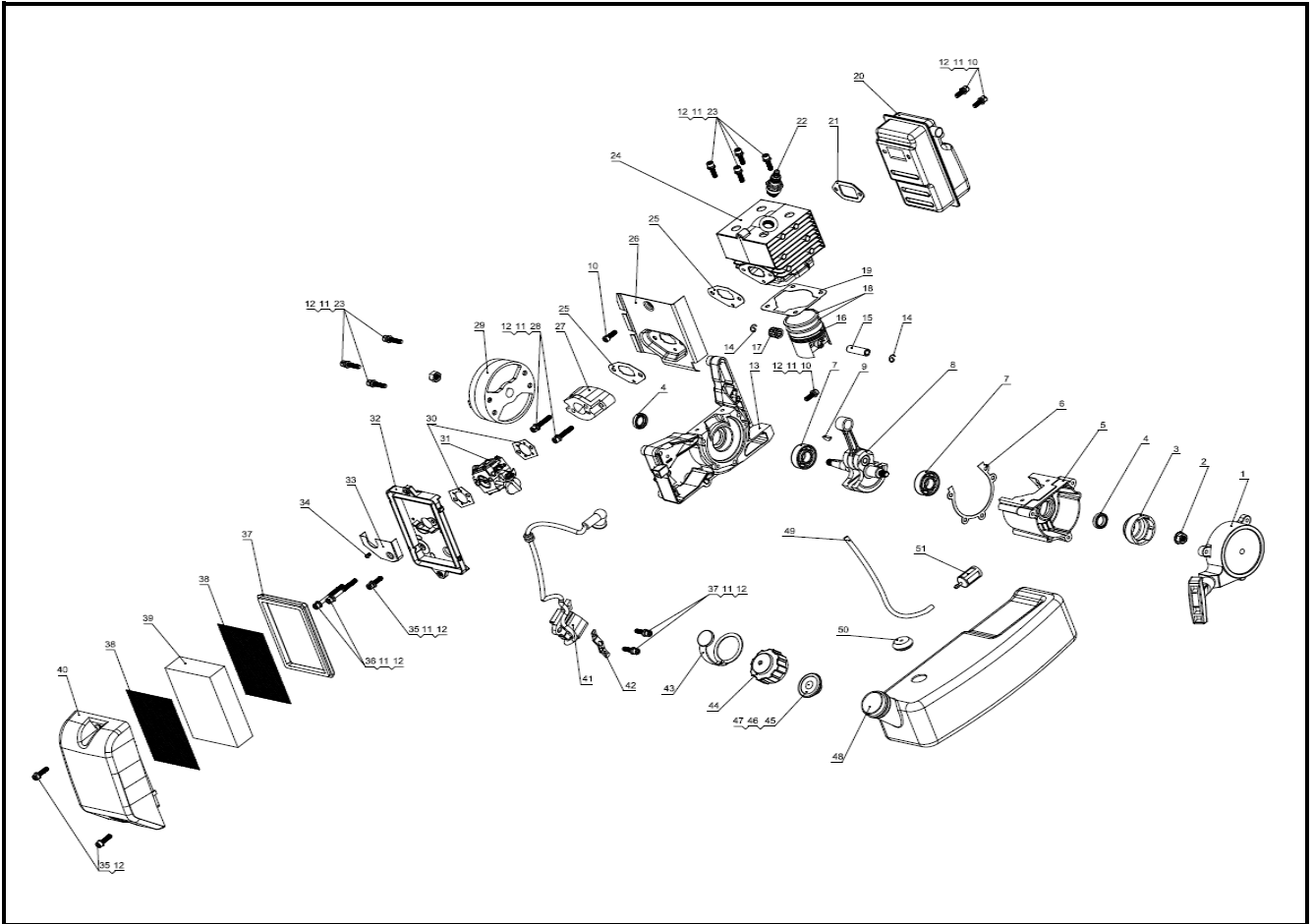
| NO. | Cod. Savake | Descripción Español | Descripción Inglés | Cant. | Observaciones |
|-----|-------------|---------------------|---|-------|---------------|
| 20 | | | TORSION SPRING | 3 | |
| 21 | | | BACKPLATE | 1 | |
| 22 | | | BACK REST PAD | 1 | |
| 23 | | | LATCH PLASTIC | 8 | |
| 25 | | | WEBBING | 2 | |
| 26 | | | HARNESS BUCKLE | 2 | |
| 27 | | | WASHER | 2 | |
| 28 | | | SCREW M6X10 | 2 | |
| 29 | | | HANDLE | 1 | |
| 30 | | | SCREW M5X12 | 4 | |
| 31 | | | CLIP | 1 | |
| 32 | | | TUBE | 1 | |
| 33 | | | TUBE | 1 | |
| 34 | | | PLEATED HOSE | 1 | |
| 35 | | | CLIP | 1 | |
| 36 | | | SLIP RING | 1 | |
| 37 | | | ELBOW CONNECTOR | 1 | |
| 38 | | | ELBOW | 1 | |
| 39 | | | | 1 | |
| 40 | | | VALUE | 1 | |
| 41 | | | | 1 | |
| 3 | | | | 1 | |
| 5 | | | | 1 | |
| 42 | | | | 1 | |
| 43 | | | | 1 | |
| 44 | | | | 1 | |
| 45 | | | | 6 | |
| 46 | | | | 1 | |
| 47 | | | | 1 | |
| 48 | | | HANDLE | 1 | |
| 49 | | | | 5 | |
| 50 | | | | 5 | |
| 51 | | | | 1 | |
| 52 | | | | 1 | |
| 53 | | | | 1 | |
| 54 | | | | 1 | |
| 55 | | | | 1 | |
| 56 | | | | 1 | |
| 42 | | | CYLINDRICAL PIN | 1 | |
| 43 | | | LOCKING LEVER | 1 | |
| 44 | | | HANDLE MOLDING, INNER | 1 | |
| 45 | | | WASHER | 6 | |
| 46 | | | E-CLIP | 1 | |
| 47 | | | HANDLE MOLDING, OUTER | 1 | |
| 48 | | | THROTTLE TRIGGER | 1 | |
| 49 | | | SCREW M3X16 | 5 | |
| 50 | | | WASHER M3 | 5 | |
| 51 | | | CONTACT SPRING | 1 | |
| 52 | | | SLIDE | 1 | |
| 53 | | | TORSION SPRING | 1 | |
| 54 | | | WASHER $\phi 16 \times \phi 5,35 \times \phi 1$ | 1 | |
| 55 | | | BUSHING | 1 | |
| 56 | | | SPRING WASHER | 1 | |
| 57 | | | WIRING HARNESS, TERMINAL SOCKET, THROTTLE CABLE AND HOSE | 1 | |
| 58 | | | CAP | 1 | |

SOPLADOR 57CC
MOTOR

Parte: _____

Codigo: 512749

Modelo: XBB57



| NO. | Cod. Savake | Descripción Español | Descripción Inglés | Cant. | Observaciones |
|-----|-------------|--|-----------------------------|-------|---|
| 1 | 527481 | ARRANQUE COMPLETO P/XMD57-I/XBB57 | REWIND STARTER | 1 |  |
| 2 | | | HEXAGON NUT M8X1 | 2 | |
| 3 | | | STARTER CUP | 1 | |
| 4 | | | RETEN | 1 | |
| 5 | | | CRANKCAESE | 1 | |
| 6 | | | GASKET | 1 | |
| 7 | | | GROOVED BALL BEARING 6202RS | 2 | |
| 8 | 527556 | CIGÜEÑAL CON BIELA MOTOR P/XMD57-I/XBB57 | CRANKSHAFT | 1 |  |
| 9 | | | WOODRUFF KEY | 1 | |
| 10 | | | SCREW M5X20 | 4 | |

SOPLADOR 57CC
MOTOR

Parte: _____

Codigo: 512749

Modelo: XBB57



| NO. | Cod. Savake | Descripción Español | Descripción Inglés | Cant. | Observaciones |
|-----|-------------|---|----------------------|-------|---|
| 11 | | | WASHER | 4 | |
| 12 | | | WASHER | 4 | |
| 13 | | | CRANKCASE | 1 | |
| 14 | 527473 | CONJUNTO ANILLO PISTON P/XMD57-I/XBB57 | SNAP RING | 2 |  |
| 15 | | | PISTON PIN | 1 | |
| 16 | | | PISTON | 1 | |
| 17 | | | NEEDLE CAGE | 1 | |
| 18 | | | PISTON RING | 2 | |
| 18 | 527499 | ANILLOS DEL PISTON P/XMD57-I/XBB57 | PISTON RING | 2 |  |
| 19 | 527531 | EMPAQUE DEL CILINDRO P/XMD57-I/XBB57 | CYLINDER GASKET | 1 |  |
| 20 | | | MUFFLER | 1 | |
| 21 | | | EXHAUST GASKET | 1 | |
| 22 | | | SPARK PLUG | 1 | |
| 23 | | | SPILINE SCREW M5x25 | 7 | |
| 24 | 527523 | CILINDRO P/XMD57-I/XBB57 | CYLINDER WITH PISTON | 1 |  |
| 25 | | | GASKET | 2 | |
| 26 | | | HEAT SHIELD | 1 | |
| 27 | 527549 | SEPARADOR DEL CARBURADOR P/XMD57-I/XBB57 | FLANGE | 1 |  |
| 28 | | | SCREW M5x30 | 2 | |
| 29 | | | FLYWHEEL | 1 | |
| 30 | 527564 | EMPAQUE DEL CARBURADOR P/XMD57-I/XBB57 | GASKET | 2 |  |

SOPLADOR 57CC
MOTOR

Parte: _____

Codigo: 512749

Modelo: XBB57

| NO. | Cod. Savake | Descripción Español | Descripción Inglés | Cant. | Observaciones |
|-----|-------------|-------------------------------------|--|-------|--|
| 31 | 527515 | CARBURADOR P/XMD57-I/XBB57 | CARBURETOR | 1 |  |
| 32 | | | FILTER HOUSING | 1 | |
| 33 | | | | 1 | |
| 34 | | | SCREW M3X5 | 1 | |
| 35 | | | SCREW M5X16 | 5 | |
| 36 | | | SCREW M5X55 | 2 | |
| 37 | | | | 1 | |
| 38 | | | | 2 | |
| 39 | | | AIR FILTER | 1 | |
| 40 | | | FILTER COVER | 1 | |
| 41 | 527507 | BOBINA DE ENCENDIDO P/XMD57-I/XBB57 | IGNITION MODULE E SPARK PLUG BOOT S | 1 |  |
| 42 | | | SPADE TERMINAL | 1 | |
| 43 | | | FILLER CAP | 1 | |
| 44 | | | | 1 | |
| 45 | | | | 1 | |
| 46 | | | | 1 | |
| 47 | | | | 1 | |
| 48 | | | FUEL TANK | 1 | |
| 49 | | | HOSE | 1 | |
| 50 | | | GROET | 1 | |
| 51 | | | PICKUP BODY | 1 | |
| 52 | | | | 1 | |
| 53 | | | LOCK WASHER $\phi 6,6 \times \phi 4,1 \times 1 \text{mm}$ | | |
| 54 | | | FLAT WASHER $\phi 7,9 \times \phi 4,1 \times 0,8 \text{mm}$ | | |
| 55 | | | PHILLIPS SCREW M5x8 | 2 | |
| 56 | | | LOCK WASHER $\phi 8,4 \times \phi 4,6 \times 1 \text{mm}$ | | |
| 57 | | | LOCK WASHER $\phi 9,9 \times \phi 4,6 \times 1 \text{mm}$ | | |
| 58 | | | CYLINDER HOUSE | 1 | |
| 59 | | | PHILLIPS SCREW M5x20 | 2 | |
| 60 | | | LOCK WASHER | 2 | |
| 61 | | | FLAT WASHER $\phi 8,4 \times \phi 4,6 \times 1 \text{mm}$ | 2 | |
| 62 | | | LOCK WASHER $\phi 10,55 \times \phi 6,6 \times 2 \text{mm}$ | 4 | |
| 63 | | | FLAT WASHER $\phi 10,8 \times \phi 6,3 \times 1,6 \text{mm}$ | 4 | |