



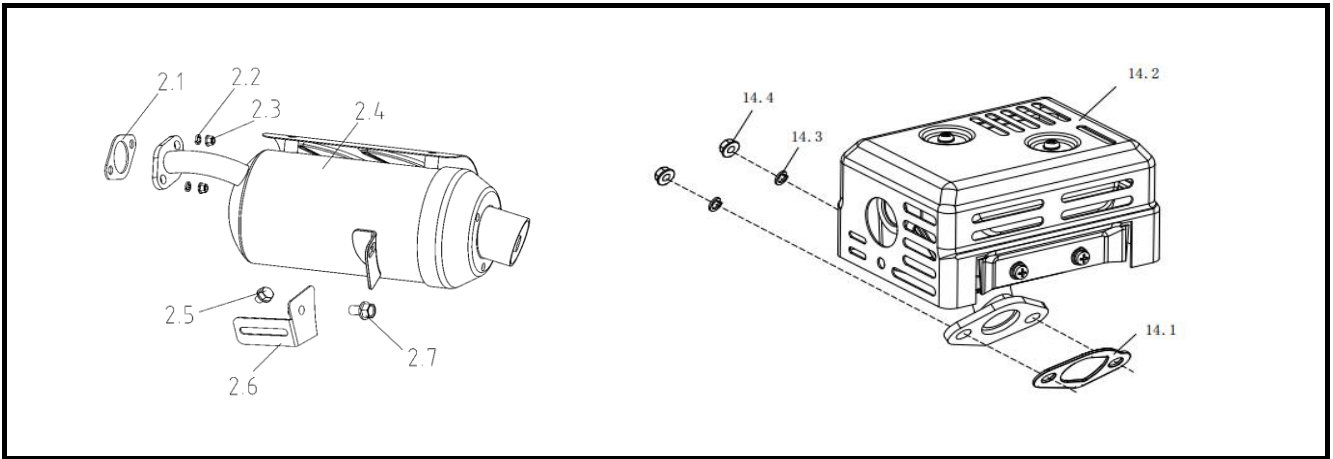


GENERADOR A GASOLINA 3.0 KW 120/240V

Parte: SILENCIADOR

Codigo: 510552

Modelo: EG3000-II



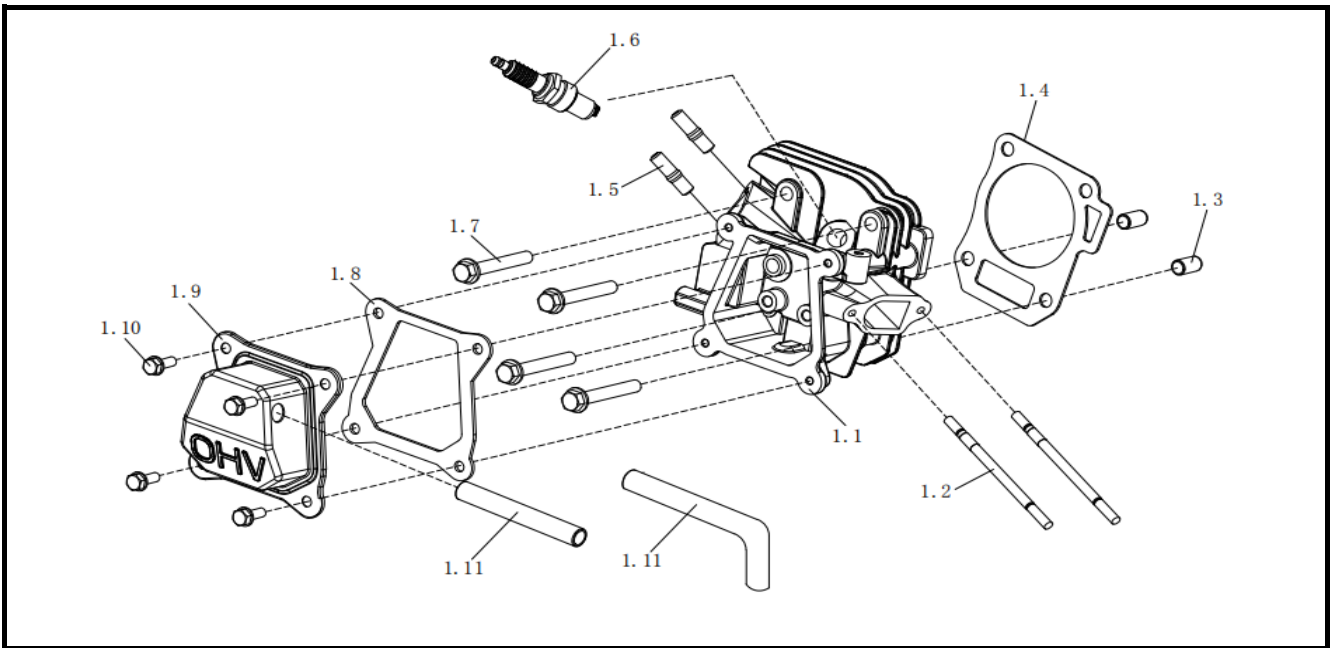
| NO.  | Cod. Savake | Descrpcion Español | Descripcion Ingles    | Cant. | Observaciones |
|------|-------------|--------------------|-----------------------|-------|---------------|
| 2,1  |             |                    | GASKET,MUFFLER        | 1     |               |
| 2,2  |             |                    | SPRING,CLIP Ø8        | 2     |               |
| 2,3  |             |                    | NUT,FLANGE M8         | 2     |               |
| 2,4  |             |                    | MUFFLER ASSY          | 1     |               |
| 2,5  |             |                    | NUT,FLANGE M6×12      | 1     |               |
| 2,6  |             |                    | MUFFLER BRACKETS      | 1     |               |
| 2,7  |             |                    | NUT,FLANGE M8×16      | 1     |               |
| 14,1 |             |                    | MUFFLER GASKET        | 1     |               |
| 14,2 |             |                    | MUFFLER               | 1     |               |
| 14,3 |             |                    | SPRING WASHER IJ8     | 2     |               |
| 14,4 |             |                    | HEXAGON FLANGE NUT M8 | 2     |               |

GENERADOR A GASOLINA 3.0 KW 120/240V

Parte: CILINDRO

Codigo: 510552

Modelo: EG3000-II



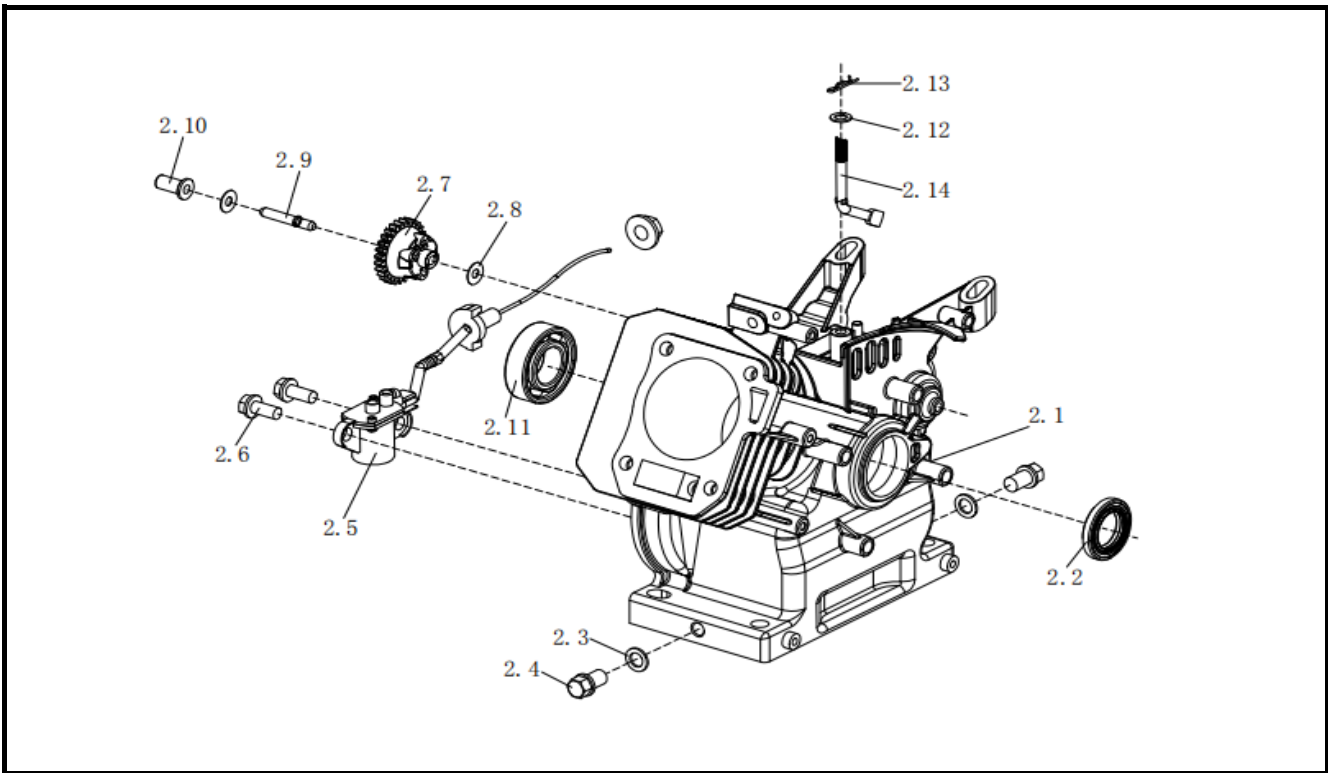
| NO.  | Cod. Savake | Descrpcion Español                      | Descripcion Ingles        | Cant. | Observaciones |
|------|-------------|-----------------------------------------|---------------------------|-------|---------------|
| 1,1  | 536953      | CILINDRO P/EGG2800-II /EG3000-II        | CYLINDER HEAD             | 1     |               |
| 1,2  |             |                                         | AIR INTAKE BOLT M6×110    | 2     |               |
| 1,2  |             |                                         | AIR INTAKE BOLT M6×90     | 2     |               |
| 1,3  |             |                                         | LOCATING PIN 10×16        | 2     |               |
| 1,4  |             |                                         | CYLINDER HEAD GASKET      | 1     |               |
| 1,5  |             |                                         | AIR EXHAUST BOLT M8×32    | 2     |               |
| 1,6  |             |                                         | SPARK PLUG                | 1     |               |
| 1,7  |             |                                         | HEXAGON FLANGE BOLT M8×55 | 4     |               |
| 1,8  |             |                                         | BREATHER GASKET           | 1     |               |
| 1,9  |             |                                         | BREATHER                  | 1     |               |
| 1,1  |             |                                         | HEXAGON FLANGE BOLT M6×12 | 4     |               |
| 1,11 |             |                                         | BREATHER TUBE             | 1     |               |
| 1,11 |             |                                         | BREATHER TUBE             | 1     |               |
|      | 536961      | CULATA COMPLETA P/EGG2800-II /EG3000-II | CYLINDER HEAD ASSY        | 1     |               |

GENERADOR A GASOLINA 3.0 KW 120/240V

Parte: CARTER

Codigo: 510552

Modelo: EG3000-II

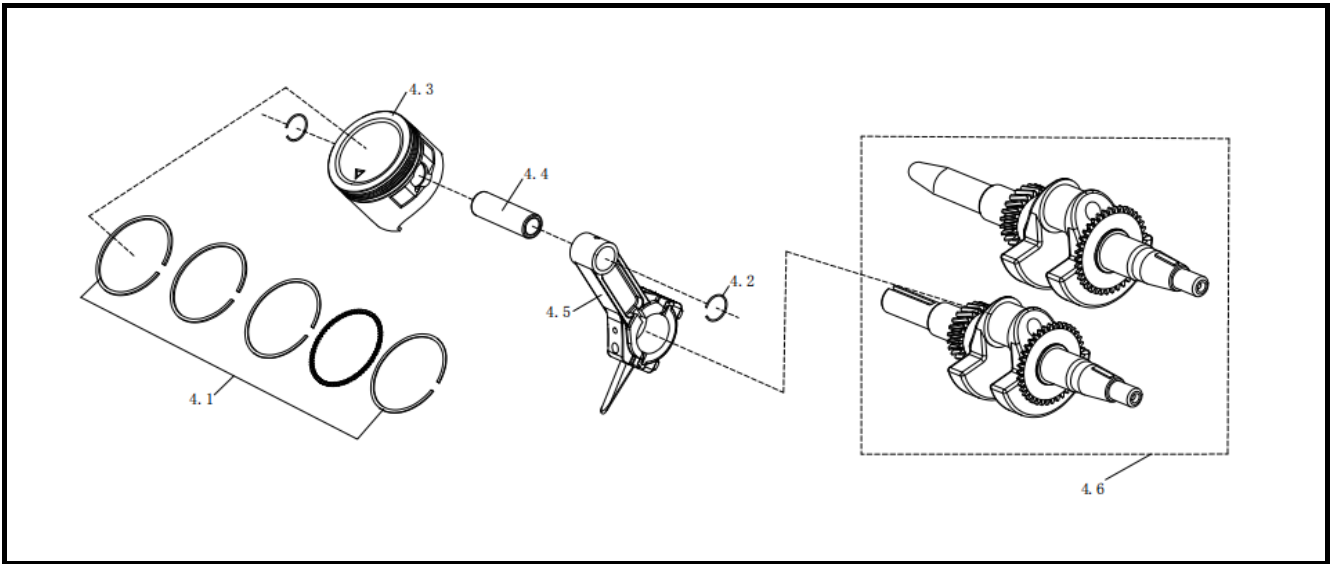


| NO.  | Cod. Savake | Descrpcion Español | Descripcion Ingles                | Cant. | Observaciones |
|------|-------------|--------------------|-----------------------------------|-------|---------------|
| 2,1  |             |                    | CRANKCASE                         | 1     |               |
| 2,2  |             |                    | OIL SEAL IJ25×IJ41.25×6           | 1     |               |
| 2,3  |             |                    | DRAIN PLUG WASHER IJ10×IJ16×1.5   | 2     |               |
| 2,5  |             |                    | OIL LEVEL SENSOR                  | 1     |               |
| 2,6  |             |                    | HEXAGON FLANGE BOLT M6×12         | 2     |               |
| 2,7  |             |                    | GOVERNOR GEAR                     | 1     |               |
| 2,8  |             |                    | GOVERNOR GEAR WASHER<br>Φ6.2*13*1 | 1     |               |
| 2,9  |             |                    | GOVERNOR SHAFT                    | 1     |               |
| 2,1  |             |                    | SHAFT SLEEVE                      | 1     |               |
| 2,11 |             |                    | BEARING 6205P53                   | 1     |               |
| 2,12 |             |                    | SWINGING ROD GASKET Φ6*15*0.5     | 2     |               |
| 2,13 |             |                    | SWINGING ROD CLIP                 | 1     |               |
| 2,14 |             |                    | SWINGING ROD                      | 1     |               |

Parte: PISTON

Codigo: 510552

Modelo: EG3000-II



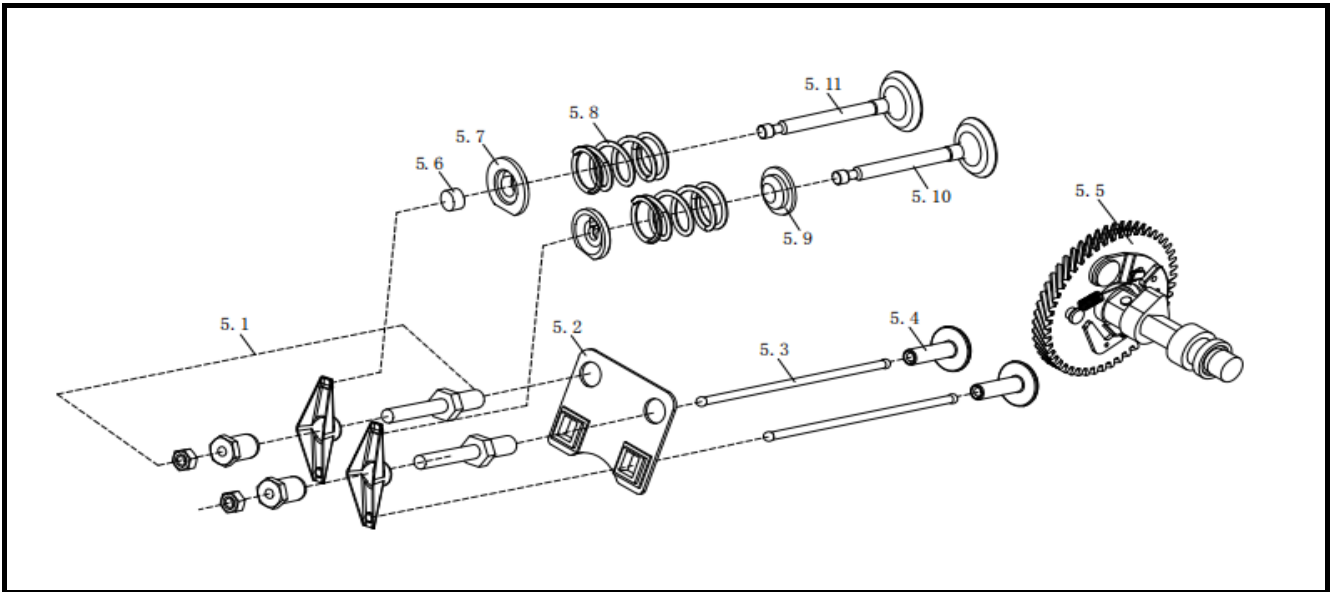
| NO. | Cod. Savake | Descrpcion Español               | Descripcion Ingles | Cant. | Observaciones |
|-----|-------------|----------------------------------|--------------------|-------|---------------|
| 4,1 | 536805      | ANILLOS P/EGG2800-II /EG3000-II  | PISTON RING        | 1     |               |
| 4,2 |             |                                  | PISTON PIN CLIP    | 2     |               |
| 4,3 | 536821      | PISTON P/EGG2800-II /EG3000-II   | PISTON             | 1     |               |
| 4,4 |             |                                  | PISTON PIN         | 1     |               |
| 4,5 |             |                                  | CONNECTING ROD     | 1     |               |
| 4,6 | 536839      | CIGÜEÑAL P/EGG2800-II /EG3000-II | CRANKSHAFT         | 1     |               |

GENERADOR A GASOLINA 3.0 KW 120/240V

Parte: DISTRIBUCIÓN DE GAS

Codigo: 510552

Modelo: EG3000-II



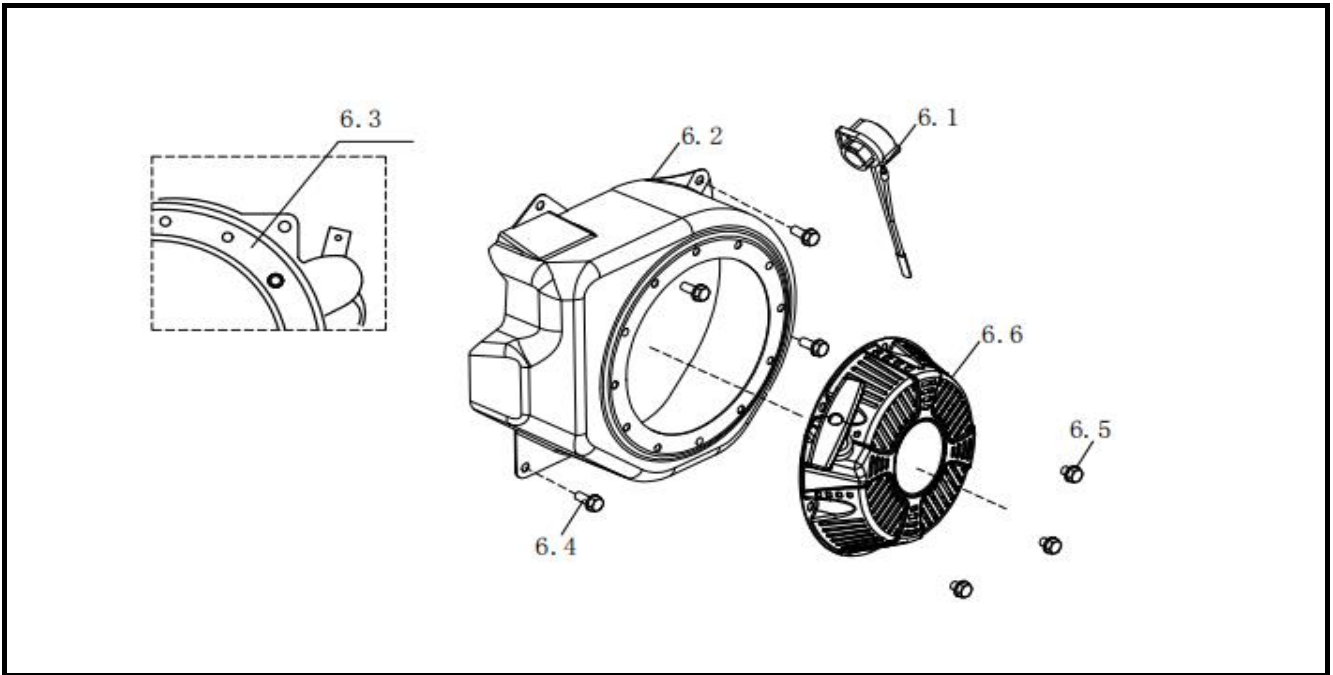
| NO.   | Cod. Savake | Descrcpion Español                                  | Descripcion Ingles       | Cant. | Observaciones |
|-------|-------------|-----------------------------------------------------|--------------------------|-------|---------------|
| 5,1   |             |                                                     | ROCKER ARM               | 2     |               |
| 5.1.1 |             |                                                     | VALVE LOCKING NUT        | 2     |               |
| 5.1.2 |             |                                                     | VALVE ADJUSTING NUT      | 2     |               |
| 5.1.3 |             |                                                     | VALVE ROCKER             | 2     |               |
| 5.1.4 |             |                                                     | VALVE ADJUSTING BOLT     | 2     |               |
| 5,2   |             |                                                     | PUSHING ROD BRACKET      | 1     |               |
| 5,3   |             |                                                     | PUSHING ROD              | 2     |               |
| 5,4   | 536847      | TAQUETES P/EGG2800-II /EG3000-II                    | LIFTER                   | 2     |               |
| 5,5   | 536862      | ARBOL DE LEVAS P/EGG2800-II /EG3000-II              | CAMSHAFT ASSY            | 1     |               |
| 5,6   |             |                                                     | TOP CAP                  | 1     |               |
| 5,7   |             |                                                     | INTAKE VALVE SPRING SEAT | 2     |               |
| 5,8   |             |                                                     | VALVE SPRING             | 2     |               |
| 5,9   |             |                                                     | OIL RETAINING CAP        | 1     |               |
| 5,10  | 536870      | VALVULA ADMINISION Y ESCAPE P/EGG2800-II /EG3000-II | INTAKE VALVE             | 1     |               |
| 5,11  |             |                                                     | EXHAUST VALVE            | 1     |               |

GENERADOR A GASOLINA 3.0 KW 120/240V

Parte: ARRANQUE

Codigo: 510552

Modelo: EG3000-II



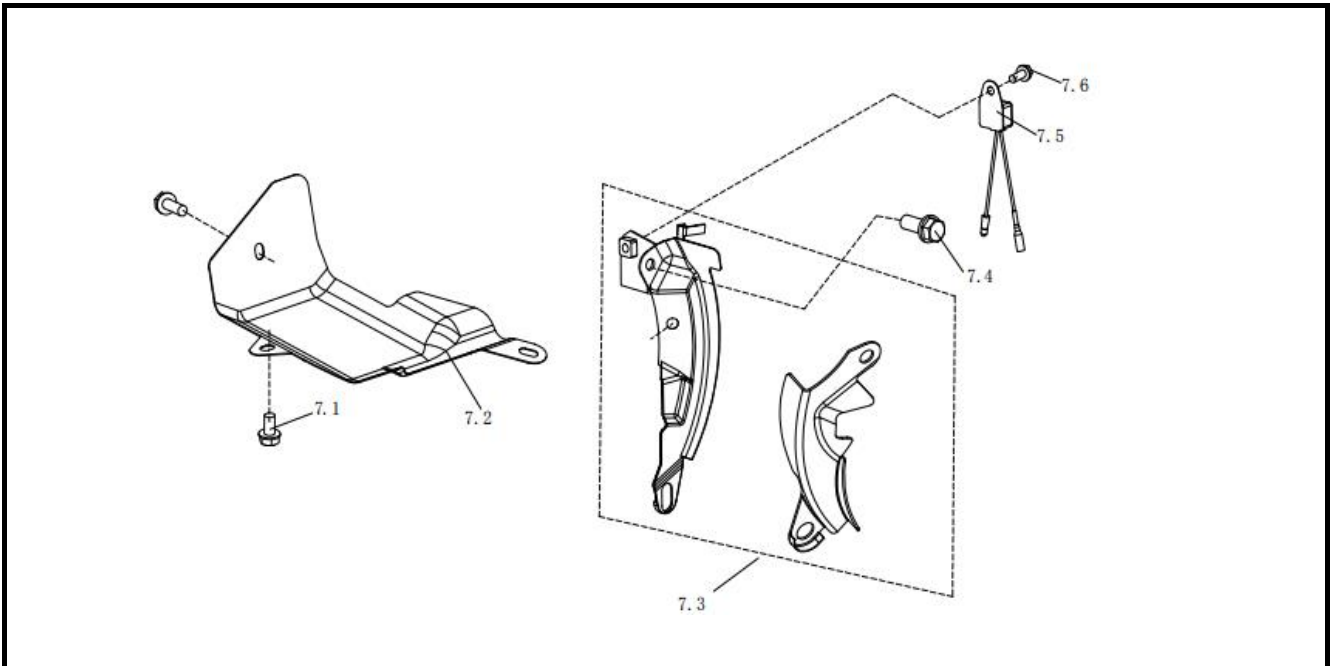
| NO. | Cod. Savake | Descrpcion Español                       | Descripcion Ingles                               | Cant. | Observaciones |
|-----|-------------|------------------------------------------|--------------------------------------------------|-------|---------------|
| 6,1 |             |                                          | ON-OFF SWITCH                                    | 1     |               |
| 6,2 |             |                                          | FAN CASE                                         | 1     |               |
| 6,3 |             |                                          | FAN CASE                                         | 1     |               |
| 6,4 |             |                                          | HEXAGON FLANGE BOLT M6×12                        | 4     |               |
| 6,5 |             |                                          | HEXAGON FLANGE BOLT M6×12                        | 3     |               |
| 6,6 | 536722      | ARRANQUE ELECTRICO P/EG3000-II           | RECOIL STARTER ASSEMBLY(ENGINE)                  | 1     |               |
|     | 536789      | ARRANQUE MANUAL P/EGG2800-II //EG3000-II | RECOIL STARTER ASSEMBLY F/EGG2800-II //EG3000-II |       |               |
|     | 536730      | SWITCH DE ENCENDIDO P/EG3000-II          | SWITCH ON/OFF F/EG3000-II                        |       |               |



Parte: SISTEMA DE CONTROL

Codigo: 510511

Modelo: EG3000-II



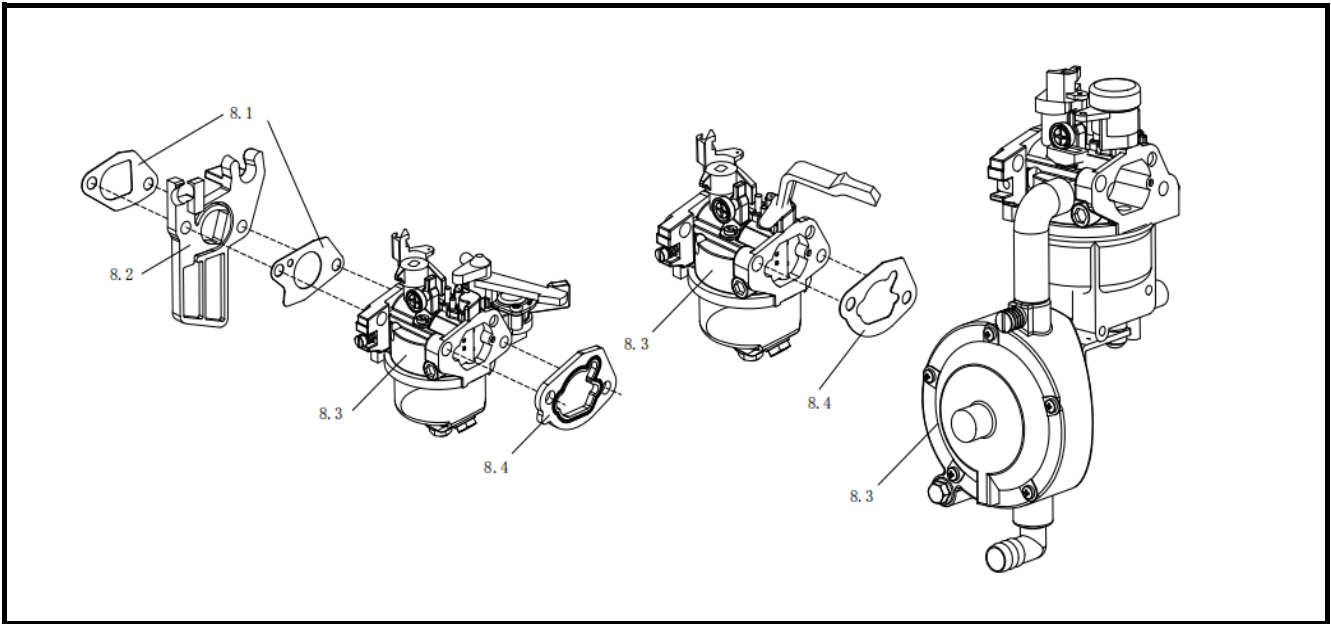
| NO. | Cod. Savake | Descrpcion Español | Descripcion Ingles        | Cant. | Observaciones |
|-----|-------------|--------------------|---------------------------|-------|---------------|
| 7,1 |             |                    | HEXAGON FLANGE BOLT M6×8  | 2     |               |
| 7,2 |             |                    | WIND SCOOPER              | 1     |               |
| 7,3 |             |                    | FLYWHEEL COVER            | 1     |               |
|     |             |                    | FLYWHEEL COVER            | 1     |               |
| 7,4 |             |                    | HEXAGON FLANGE BOLT M6×22 | 1     |               |
| 7,6 |             |                    | OIL PROTECTOR             | 1     |               |
| 7,7 |             |                    | HEXAGON FLANGE BOLT M6×12 | 1     |               |

GENERADOR A GASOLINA 3.0 KW 120/240V

Parte: \_\_\_\_\_ **CARBURADOR** \_\_\_\_\_

Codigo: \_\_\_\_\_ 510552 \_\_\_\_\_

Modelo: \_\_\_\_\_ EG3000-II \_\_\_\_\_



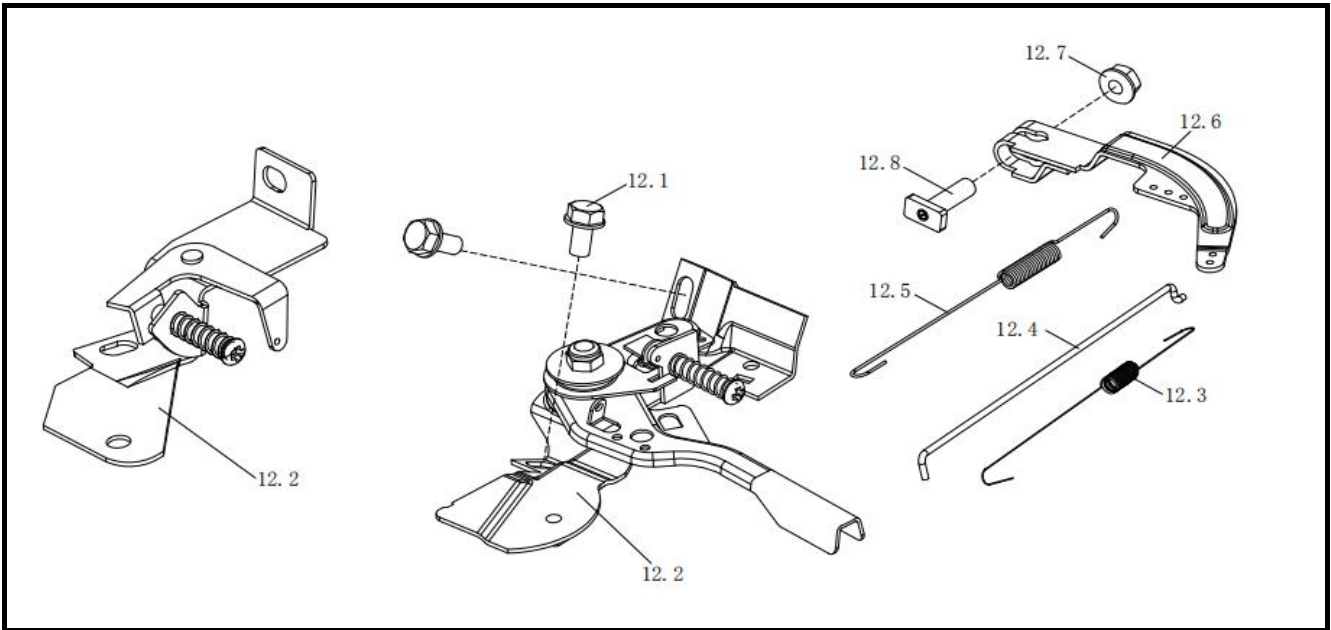
| NO. | Cod. Savake | Descrcion Español | Descripcion Ingles      | Cant. | Observaciones |
|-----|-------------|-------------------|-------------------------|-------|---------------|
| 8,1 |             |                   | AIR INLET GASKET        | 1     |               |
| 8,2 |             |                   | INSULATION BOARD        | 1     |               |
| 8,3 |             |                   | CARBURETOR              | 1     |               |
| 8,4 |             |                   | AIR FILTER STEEL GASKET | 1     |               |
|     |             |                   | AIR FILTER STEEL GASKET | 1     |               |



Parte: \_\_\_\_\_ **VOLANTE** \_\_\_\_\_

Codigo: \_\_\_\_\_ 510552 \_\_\_\_\_

Modelo: EG3000-II \_\_\_\_\_



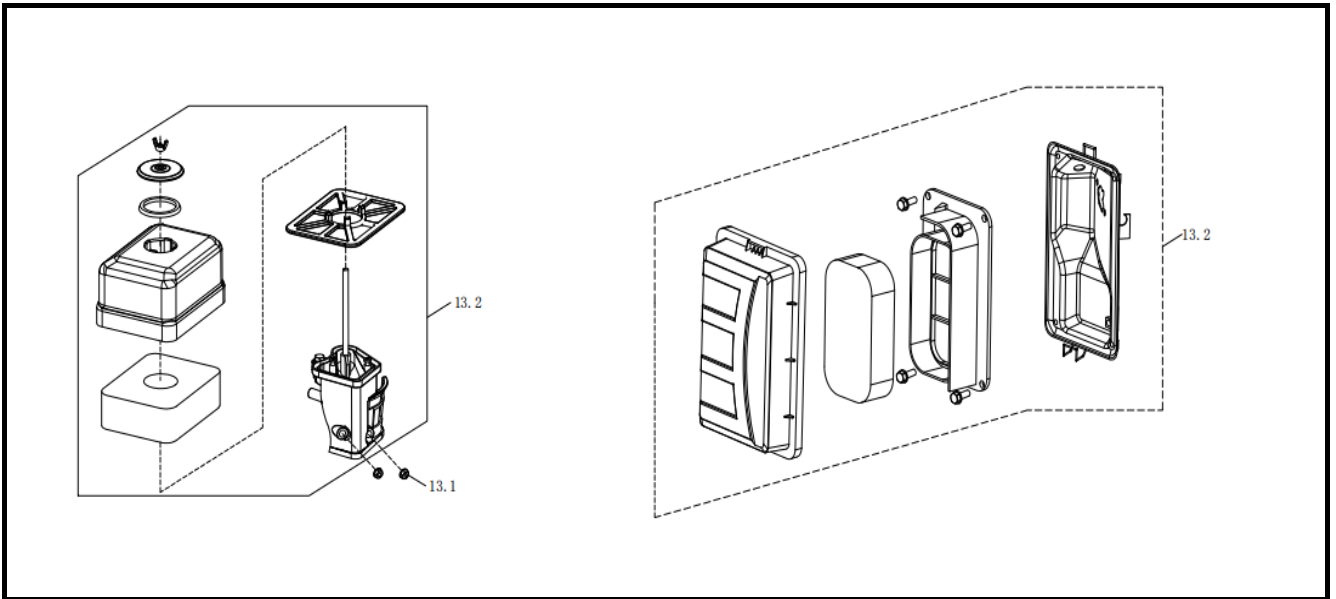
| NO.  | Cod. Savake | Descrpcion Español | Descripcion Ingles        | Cant. | Observaciones |
|------|-------------|--------------------|---------------------------|-------|---------------|
| 12,1 |             |                    | HEXAGON FLANGE BOLT M6×12 | 2     |               |
| 12,2 |             |                    | SPEED REGULATING SEAT     | 1     |               |
|      |             |                    | SPEED REGULATING SEAT     | 1     |               |
| 12,3 |             |                    | FINE TUNING SPRING        | 1     |               |
| 12,4 |             |                    | GOVERNOR ROD              | 1     |               |
| 12,5 |             |                    | OFFSETTING SPRING-Φ0.7    | 1     |               |
| 12,6 |             |                    | GOVERNOR ARM              | 1     |               |
| 12,7 |             |                    | HEXAGON FLANGE NUT M6     | 1     |               |
| 12,8 |             |                    | T-TYPE BOLT               | 1     |               |

GENERADOR A GASOLINA 3.0 KW 120/240V

Parte: FILTROS

Codigo: 510552

Modelo: EG3000-II



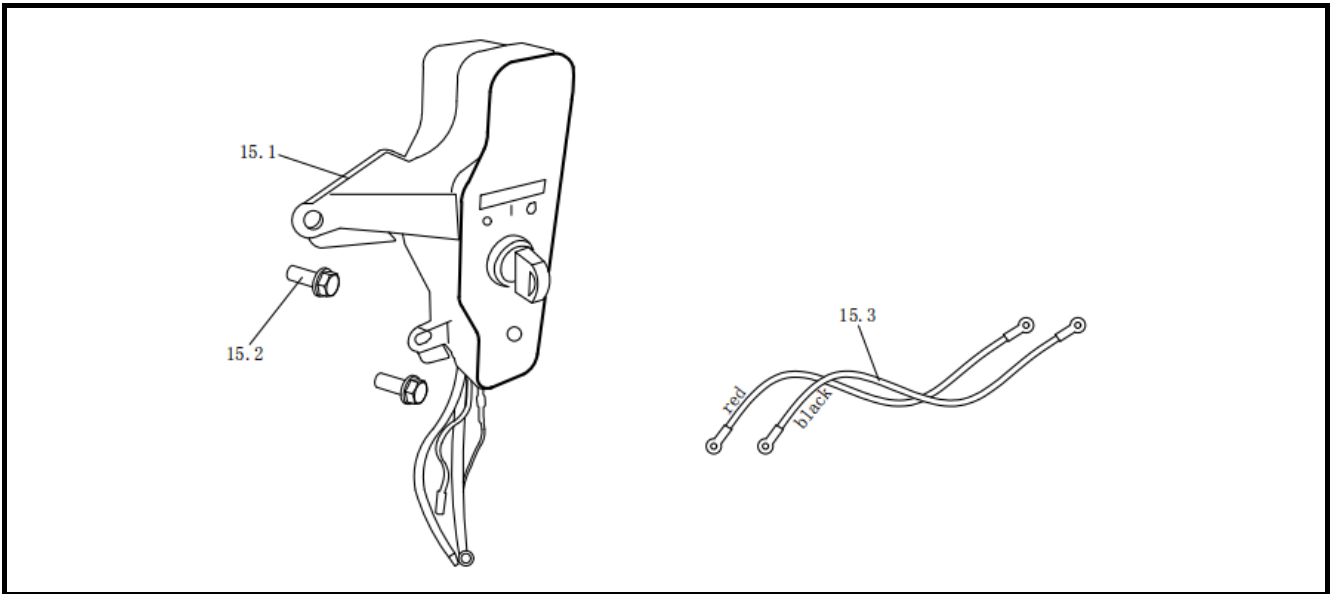
| NO.  | Cod. Savake | Descrpion Español                            | Descripcion Ingles    | Cant. | Observaciones |
|------|-------------|----------------------------------------------|-----------------------|-------|---------------|
| 13,1 |             |                                              | HEXAGON FLANGE NUT M6 | 2     |               |
| 13,2 | 536920      | FILTRO AIRE COMPLETO P/EGG2800-II /EG3000-II | AIR CLEANER ASSY      | 1     |               |

GENERADOR A GASOLINA 3.0 KW 120/240V

Parte: \_\_\_\_\_

Codigo: 510552

Modelo: EG3000-II



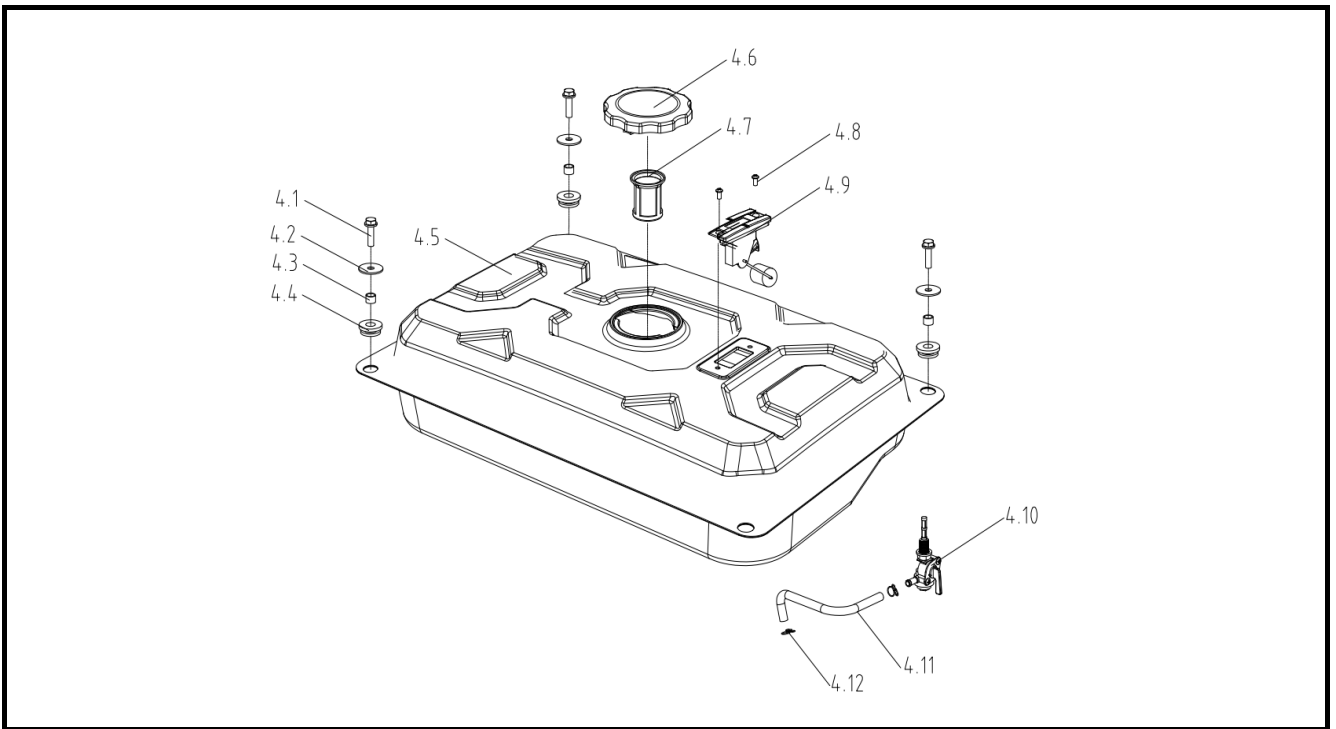
| NO.  | Cod. Savake | Descrpcion Español | Descripcion Ingles | Cant. | Observaciones |
|------|-------------|--------------------|--------------------|-------|---------------|
| 15,1 |             |                    |                    |       |               |
| 15,2 |             |                    |                    |       |               |
| 15,3 |             |                    |                    |       |               |

GENERADOR A GASOLINA 3.0 KW 120/240V

Parte: TANQUE DE COMBUSTIBLE

Codigo: 510552

Modelo: EG3000-II



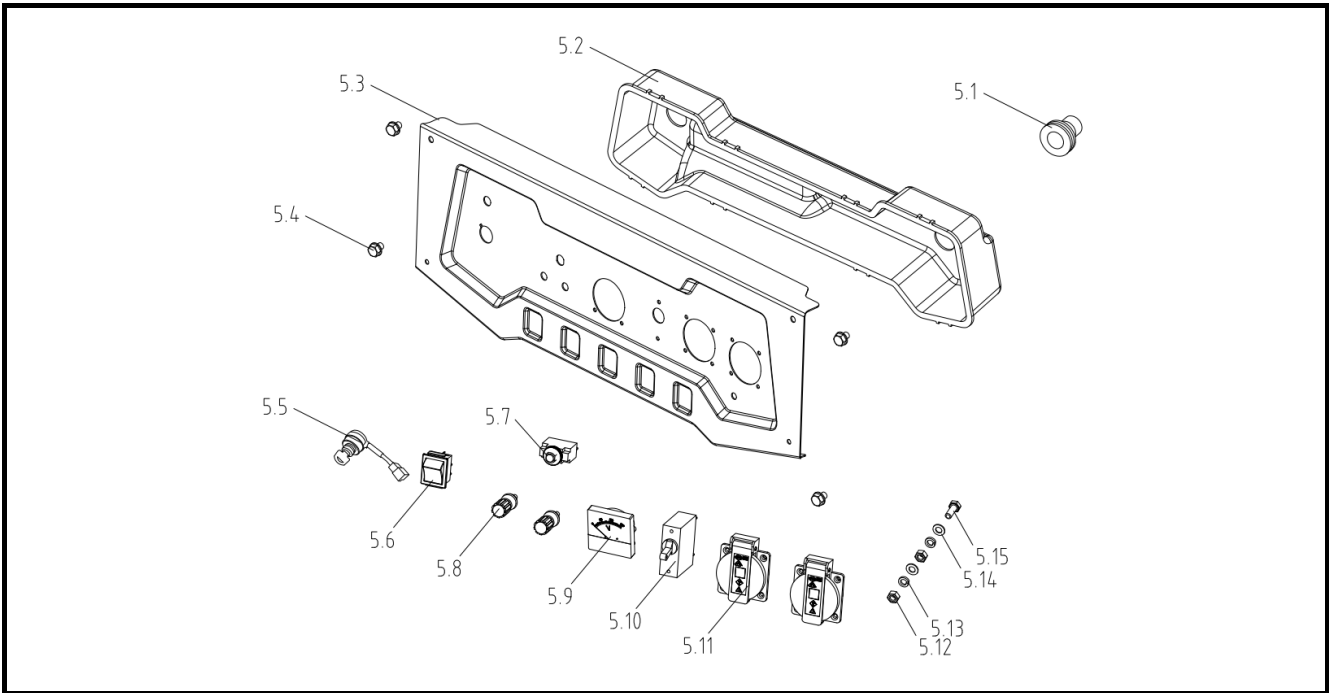
| NO.  | Cod. Savake | Descrpcion Español                         | Descripcion Ingles         | Cant. | Observaciones |
|------|-------------|--------------------------------------------|----------------------------|-------|---------------|
| 4,1  |             |                                            | HEXAGON FLANGE BOLT M6×22  | 4     |               |
| 4,2  |             |                                            | WASHER Ø6×Ø25×1.5          | 4     |               |
| 4,3  |             |                                            | TANK PIN                   | 4     |               |
| 4,4  |             |                                            | TANK GASKET                | 4     |               |
| 4,5  | 536979      | TANQUE COMBUSTIBLE P/EGG2800-II /EG3000-II | FUEL TNAK                  | 1     |               |
| 4,6  |             |                                            | TANK CAP 2-5KW             | 1     |               |
| 4,7  |             |                                            | FUEL TANK FILTER 2-5KW     | 1     |               |
| 4,8  |             |                                            | CROSS PAN HEAD SCREW M5×12 | 2     |               |
| 4,9  |             |                                            | OIL LEVEL INDICATOR        | 1     |               |
| 4,1  |             |                                            | FUEL TANK SWITCH           | 1     |               |
| 4,11 |             |                                            | PIPELINE -200MM            | 1     |               |
| 4,12 |             |                                            | PIPELINE CLAMP             | 2     |               |

GENERADOR A GASOLINA 3.0 KW 120/240V

Parte: PANEL DE CONTROL

Codigo: 510552

Modelo: EG3000-II



| NO.  | Cod. Savake | Descrpcion Español | Descripcion Ingles                 | Cant. | Observaciones |
|------|-------------|--------------------|------------------------------------|-------|---------------|
| 5,1  |             |                    | PANEL 2kW-N-6                      | 1     |               |
| 5,2  |             |                    | REAR COVER 2kW-N-6                 | 1     |               |
| 5,3  |             |                    |                                    | 1     |               |
| 5,4  |             |                    |                                    | 4     |               |
| 5,5  |             |                    | THE ELECTRIC DOOR LOCK             | 1     |               |
| 5,6  |             |                    | PROTECTOR                          | 1     |               |
| 5,7  |             |                    | TERMINAL                           | 2     |               |
| 5,8  |             |                    | VOLTMETER                          | 1     |               |
| 5,9  |             |                    | HYDRAULIC CIRCUIT BREAKER 30-10.4A | 1     |               |
| 5,9  |             |                    | HYDRAULIC CIRCUIT BREAKER 30-11.8A | 1     |               |
| 5,1  |             |                    | EUROPEAN-STYLE SOCKET 16A          | 2     |               |
| 5,11 |             |                    |                                    | 2     |               |
| 5,12 |             |                    |                                    | 2     |               |
| 5,13 |             |                    |                                    | 2     |               |
| 5,14 |             |                    |                                    | 1     |               |



