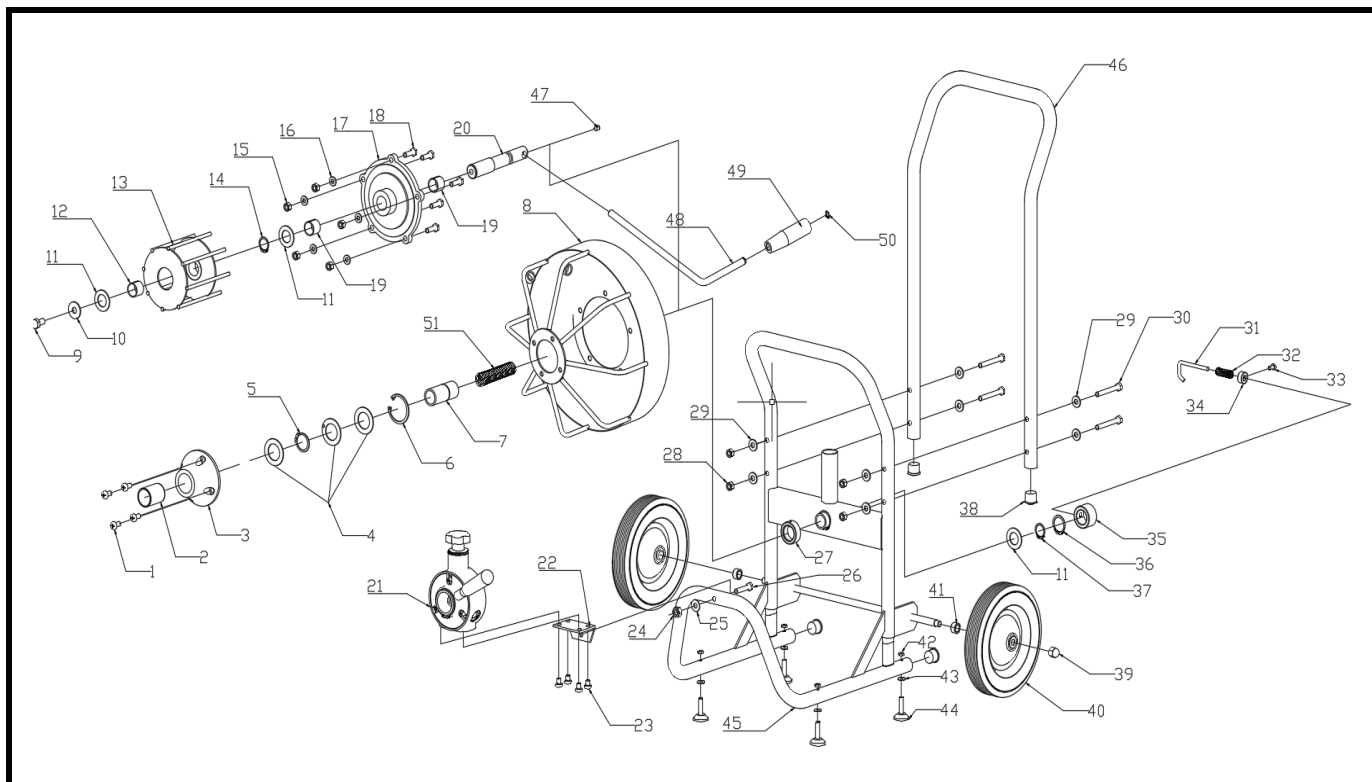


DESTAPADOR DE CAÑERIAS MANUAL GUAYA ALMA FLEXIBLE

Parte: MÁQUINA

Código 509398

Modelo TK-400-H



N°	Cód. Savake	Descripción Español	Descripción Ingles	Cant.	Observaciones
1			Screw	4	
2			Complex bearing sleeve	1	
3			Front flange	1	
4			Complex washer	3	
5			Shaft retaining ring	1	
6			Hole retaining ring	1	
7			Front flange shaft	1	
8			Drum	1	
9			Hexagonal screw	1	
10			Washer	1	
11			Complex washer	1	
12			Complex bearing sleeve	1	
13			Drum flange	1	
14			Shaft retaining ring	1	
15			Nut	5	

## DESTAPADOR DE CAÑERIAS MANUAL GUAYA ALMA FLEXIBLE

 Parte: MÁQUINA

 Código 509398

 Modelo TK-400-H

N°	Cód. Savake	Descripción Español	Descripción Ingles	Cant.	Observaciones
16			Washer	5	
17			Flange	1	
18			Hexagon bolt	5	
19			Complex bearing sleeve	1	
20			Main axle	1	
21			Auto feeding device	1	
22			Bracke	1	
23			Screw	4	
24			Nut	1	
25			Washer	1	
26			Hexagon bolt	1	
27			Bearing sleeve	1	
28			Nut	4	
29			Washer	4	
30			Hexagon bolt	4	
31			Locking bolt	1	
32			Locking spring	1	
33			Screw	1	
34			Locking sleeve	1	
35			Bearing sleeve	1	
36			Complex washer	1	
37			Shaft retaining ring	1	
38			Stand plug	4	
39			Cap nut	2	
40			Wheel	2	
41			Wheel sleeve	2	
42			Nut	4	
43			Flat washer	4	
44			Feet	4	
45			Stand	1	
46			Stand handle	1	
47			Bolt	1	
48			Handle	1	
49			Handle grip	1	
50			Shaft retaining ring	1	
51			Guide spring	1	