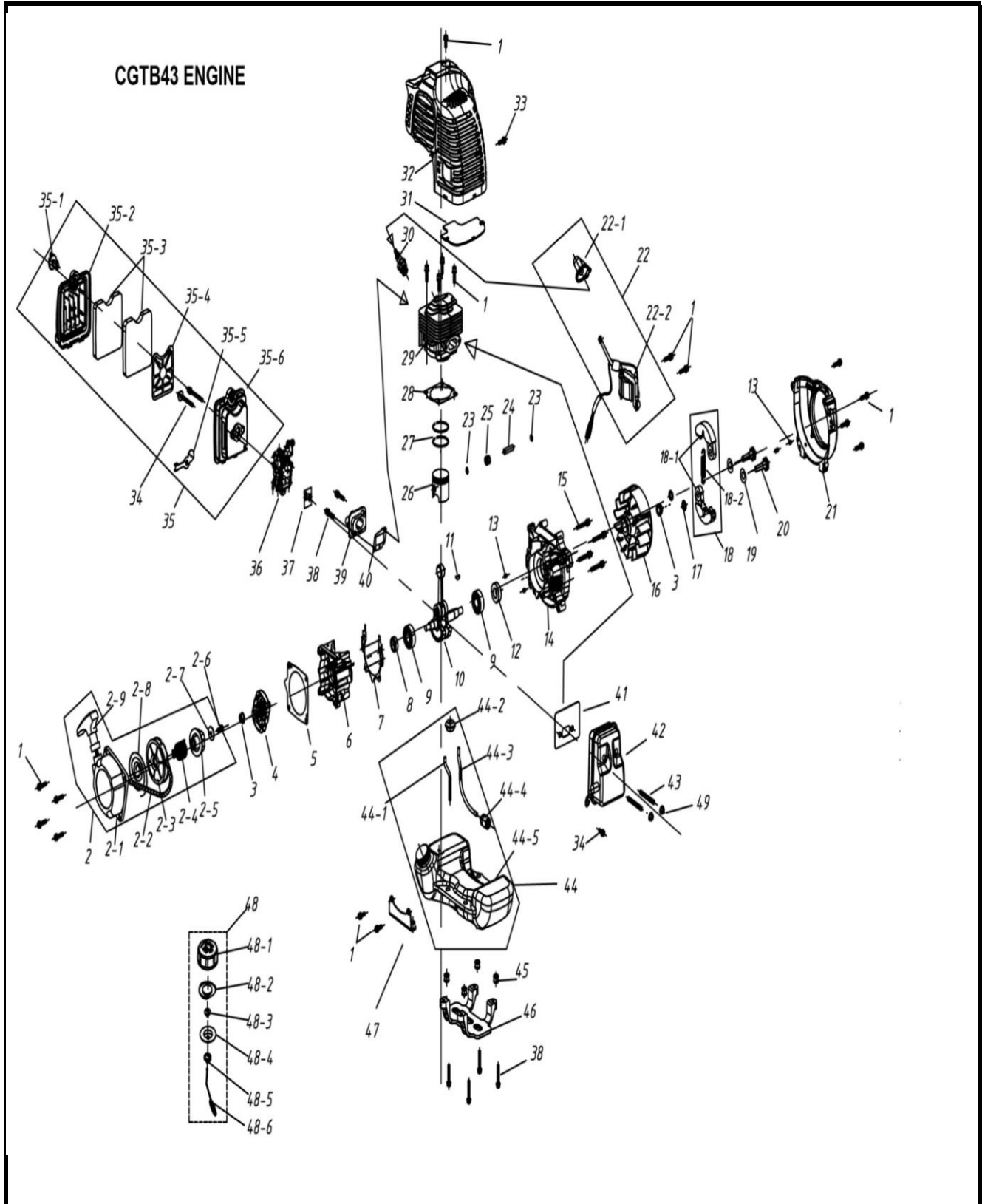


DESBROZADORA A GASOLINA C/CHASIS 43CC

Parte: MOTOR

Código 508473

Modelo XBC43W



DESBROZADORA A GASOLINA C/CHASIS 43CC

Parte: MOTOR

Código 508473

Modelo XBC43W

| N° | Cód. Savake | Descripción Español | Descripción Ingles | Cant. | Observaciones |
|-----|-------------|---|----------------------------|-------|---|
| 1 | | | Screw M5x20 | | |
| 2 | 383992 | ARRANQUE COMPLETO P/XBC43/43B | Starter Assy | 1 |  |
| 2-1 | | | Cover Of Starter Assy | | |
| 2-2 | | | Starter Rope | | |
| 2-3 | 424614 | RESORTE Y POLEA DE ARRANQUE P/XBC43/43B | Starter Rope Reel | |  |
| 2-8 | | | Flat Recoil Starter Spring | | |
| 2-4 | | | Cushioning Torsion Spring | | |
| 2-5 | | | Stater Reel | | |
| 2-6 | | | Screw M5x12 | | |
| 2-7 | | | Gasket | | |
| 2-9 | | | Starter Handle | | |
| 3 | | | Nut M8 | | |
| 4 | 505792 | TRINQUETE COMPLETO ARRANQUE P/XBC43/43B | Starter Pulley Assy | |  |
| 5 | | | Gasket Of Starter | | |
| 6 | 383984 | CARCASA TRASERA P/XBC43 | Back Crank Case | 1 |  |
| 7 | | | Gasket Of Crank Case | | |
| 8 | 490953 | SELLO FRONTAL DEL CIGUENAL P/XBC43 | Oil Seal Fb122207 | |  |
| 9 | | | Bearing 6202/P5 | | |
| 10 | 383976 | CIGUEÑAL CON BIELA P/XBC43/43B/XGWP1P2 | Crankshaft | |  |
| 11 | | | Woodruff Key 3x5x13 | | |
| 12 | 490961 | SELLO DEL CIGUENAL P/XBC43/43B | Oil Seal Fb153007 | |  |
| 13 | | | Bolt B4x10 | | |
| 14 | 383968 | CARCASA FRONTAL CARTER P/XBC43/43B | Front Crank Case | |  |
| 15 | | | Screw M5x30 | | |
| 16 | 383950 | VOLANTE MAGNETO P/XBC43/XBC43B | Fly Wheel | |  |

DESBROZADORA A GASOLINA C/CHASIS 43CC

Parte: MOTOR

Código 508473

Modelo XBC43W

| N° | Cód. Savake | Descripción Español | Descripción Ingles | Cant. | Observaciones |
|------|-------------|--|---------------------------|-------|---|
| 17 | | | Gasket B | | |
| 18 | 383943 | EMBRAGUE COMPLETO P/XBC43/43B | Expander Assy | 1 |  |
| 18-1 | | | Expander | | |
| 18-2 | | | Expander Spring | | |
| 19 | | | Wave Washer | | |
| 20 | | | Bolt Of Expander Assy | | |
| 21 | | | Fan Cover | | |
| 22 | 383935 | BOBINA ENCENDIDO XBC43/43B/XGWP1P2 | Ignition Coil Assy | |  |
| 22-1 | | | Ignition Coil | | |
| 22-2 | | | Cap Of Ignition Coil | | |
| 23 | 383919 | PISTON COMPLETO P/XBC43/43B | Piston Pin Lock Ring | 1 |  |
| 24 | | | Piston Pin | | |
| 26 | | | Piston | | |
| 27 | | | Piston Ring | | |
| 25 | | | Needle Bearing Kbk101314 | | |
| 27 | 383927 | ANILLOS DEL PISTON P/XBC43/43B/XGE13K | Piston Ring | |  |
| 28 | 383901 | CILINDRO P/XBC43/43B | Gasket Of Cylinder | |  |
| 29 | | | Cylinder | | |
| 30 | | | Spark Plug | | |
| 31 | | | Insulation Board | | |
| 32 | 503292 | CUBIERTA MOTOR P/XBC43/43B | Cylinder Cover | |  |
| 33 | | | Screws M5x12 | | |
| 34 | | | Screws M5x55 | | |
| 35 | 383893 | FILTRO DE AIRE P/XBC43/43B | Air Cleaner Assy | 1 |  |
| 35-1 | | | Knob Of Air Cleaner Assy | | |
| 35-2 | | | Out Cover Of Air Cleaner | | |
| 35-3 | 424549 | ELEMENTO DEL FILTRO DE AIRE P/XBC43/43B | Filter Element | |  |
| 35-4 | | | Bracket Of Filter Element | | |
| 35-5 | | | Choke Valve | | |

DESBROZADORA A GASOLINA C/CHASIS 43CC

Parte: MOTOR

Código 508473

Modelo XBC43W

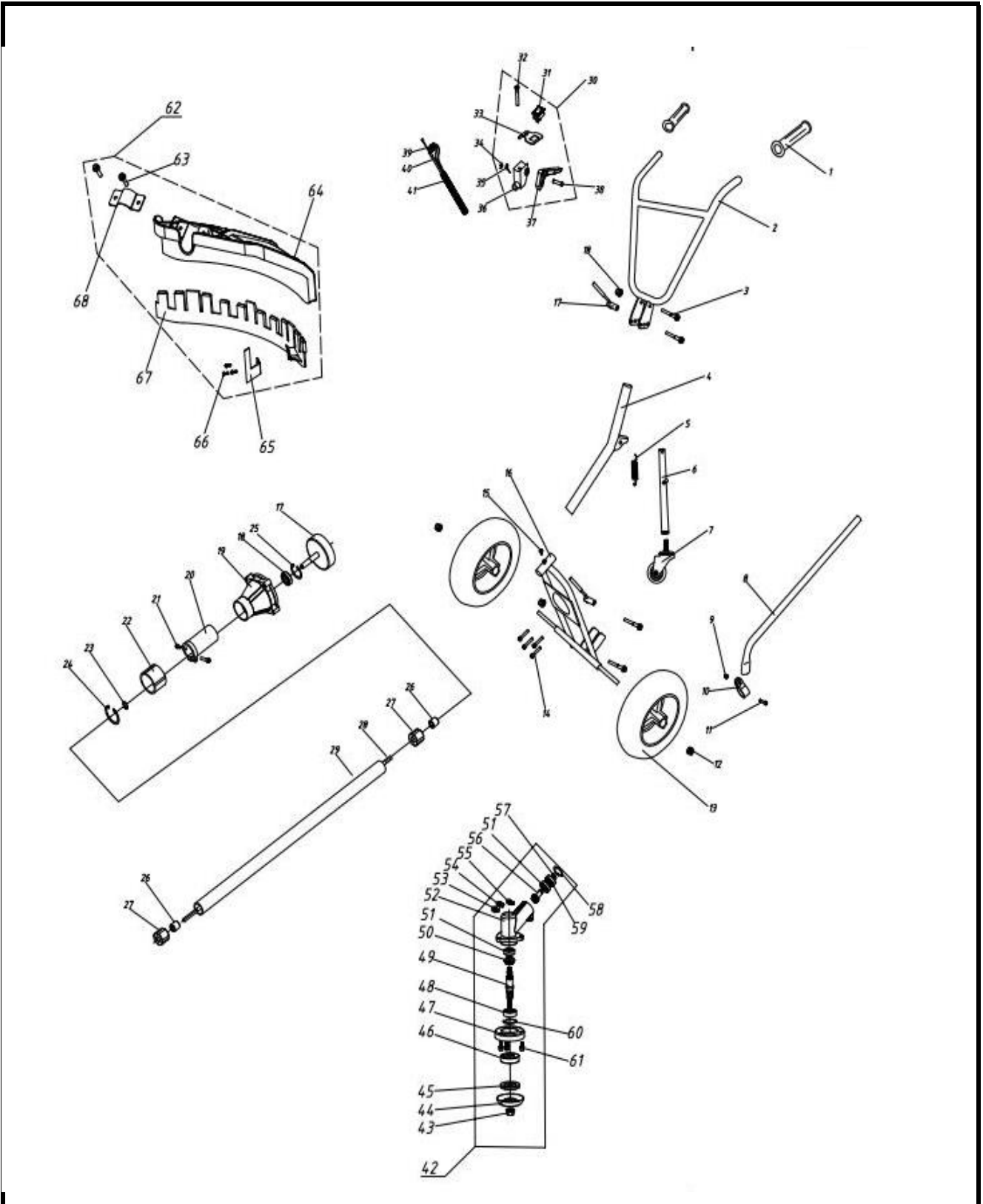
| N° | Cód. Savake | Descripción Español | Descripción Ingles | Cant. | Observaciones |
|------|-------------|--|------------------------------|-------|---|
| 35-6 | | | Inner Cover Of Air Cleaner | | |
| 36 | 383885 | CARBURADOR P/XBC43/43B | Carburetor | 1 |  |
| 37 | | | Gasket Of Carburetor | | |
| 38 | | | Screws M5x25 | | |
| 39 | 529107 | INSULADOR P/XBC43/43B | Admitting Pipe | | |
| 40 | | | Gasket Of Admitting Pipe | | |
| 41 | | | Gasket Of Muffler | | |
| 42 | 383877 | SILENCIADOR P/XBC43/43B/XGWP1P2 | Muffler | 1 |  |
| 43 | | | Screw M6x55 | | |
| 44 | 383869 | TANQUE DE COMBUSTIBLE XBC43 | Fuel Tank Assy | |  |
| 44-1 | 521534 | MANGUERA Y FILTRO DE COMBUSTIBLE P/XBC43/43B | Oil Return Pipe | |  |
| 44-2 | | | Plug Of Oil Pipe | | |
| 44-3 | | | Oil-In Pipe | | |
| 44-4 | | | Fuel Filter | | |
| 44-4 | 424564 | FILTRO DE COMBUSTIBLE P/XBC43/43B | Fuel Filter | |  |
| 44-5 | | | Fuel Tank | | |
| 45 | | | Gasket Of Fuel Tank | | |
| 46 | | | Protect Bracket Of Fuel Tank | | |
| 47 | | | Bracket Of Fuel Tank | | |
| 48 | 383851 | TAPA DEL TANQUE DE COMBUSTIBLE P/XBC43/43B | Fuel Tank Lid Assy | 1 |  |
| 48-1 | | | Fuel Tank Lid | | |
| 48-2 | | | Gasket Of Fuel Tank Lid | | |
| 48-3 | | | Suction Nozzle | | |
| 48-4 | | | Bracket Of Suction Nozzle | | |
| 48-5 | | | Anti-Off Gasket | | |
| 48-6 | | | Anti-Off Rope | | |
| 49 | | | Nut | | |

DESBROZADORA A GASOLINA C/CHASIS 43CC

Parte: EJE

Código 508473

Modelo XBC43W



DESBROZADORA A GASOLINA C/CHASIS 43CC

Parte: EJE

Código 508473

Modelo XBC43W

| N° | Cód. Savake | Descripción Español | Descripción Ingles | Cant. | Observaciones |
|----|-------------|---------------------|-------------------------|-------|---------------|
| 1 | | | HAND RUBBER SLEEVE | 2 | |
| 2 | | | FRAME 1 | 1 | |
| 3 | | | SCREW M8*55 | 4 | |
| 4 | | | FRAME 2 | 1 | |
| 5 | | | SPRING | 1 | |
| 6 | | | SUPPORT COLUMN | 1 | |
| 7 | | | UNIVERSAL WHEEL | 1 | |
| 8 | | | TRACTION ROD | 1 | |
| 9 | | | NUT M6 | 1 | |
| 10 | | | LOCKING RING | 1 | |
| 11 | | | SCREW M6*20 | 1 | |
| 12 | | | NUT M10 | 2 | |
| 13 | | | TYPE | 2 | |
| 14 | | | SCREW M6*35 | 4 | |
| 15 | | | SCREW M6*12 | 1 | |
| 16 | | | FRAME 3 | 1 | |
| 17 | | | CLURCH DRUM | 1 | |
| 18 | | | BEARING6202-2RS | 1 | |
| 19 | | | CLUTCH CASE | 1 | |
| 20 | | | JOINT PIPE | 1 | |
| 21 | | | SCREW M*10 | 1 | |
| 22 | | | RUBBER COVER | 1 | |
| 23 | | | STOP RING Ø15*1 | 1 | |
| 24 | | | STOP RING Ø45*1.75 | 1 | |
| 25 | | | STOP RING Ø35*1.5 | 1 | |
| 26 | | | OIL-BEARING | 3 | |
| 27 | | | RUBBER COVER | 3 | |
| 28 | | | DRIVE SHAFT | 1 | |
| 29 | | | PIPE | 1 | |
| 30 | | | CONTROL BOX | 1 | |
| 31 | | | STOP BUTTON COMP | 1 | |
| 32 | | | SCREW M5*35 | 1 | |
| 33 | | | FLAMEOUT SWITCH BRACKET | 1 | |
| 34 | | | STOP RING Ø4*0.5 | 1 | |
| 35 | | | SPRING | 1 | |
| 36 | | | TRIGGER BASE | 1 | |
| 37 | | | HANDGRIP | 1 | |
| 38 | | | PIN | 1 | |
| 39 | | | STOP LINE | 1 | |
| 40 | | | CABLE COMP | 1 | |
| 41 | | | TUBE | 1 | |
| 42 | | | E4 GEAR CASE ASSY1 | 1 | |
| 43 | | | LEFT NUT M10*1.25 | 1 | |

DESBROZADORA A GASOLINA C/CHASIS 43CC

Parte: EJE

Código 508473

Modelo XBC43W

| N° | Cód. Savake | Descripción Español | Descripción Ingles | Cant. | Observaciones |
|----|-------------|---------------------|-----------------------|-------|---------------|
| 44 | | | BOLT PROTECTION COVER | 1 | |
| 45 | | | HOLDER B | 1 | |
| 46 | | | HOLDER A | 1 | |
| 47 | | | SAFTY GUARD | 1 | |
| 48 | | | BEARING 6002RS | 1 | |
| 49 | | | GEAR SHAFT | 1 | |
| 50 | | | GEAR | 1 | |
| 51 | | | BEARING 6000 | 1 | |
| 52 | | | GEAR CASE | 1 | |
| 53 | | | SCREW M6*12 | 1 | |
| 54 | | | SCREW M5*12 | 1 | |
| 55 | | | SCREW M6*25 | 1 | |
| 56 | | | PINION | 1 | |
| 57 | | | STOP RING 10 | 1 | |
| 58 | | | STOP RING 26 | 1 | |
| 59 | | | BEARING 6000RS | 1 | |
| 60 | | | STOP RING 32 | 1 | |
| 61 | | | SCREW M5*12 | 3 | |
| 62 | | | P6 HARNESS ASS'Y | 1 | |
| 63 | | | SCREW M5*25 | 2 | |
| 64 | | | SAFETY GUARD | 1 | |
| 65 | | | BLADE | 1 | |
| 66 | | | SCREW ST3.2*13 | 3 | |
| 67 | | | GUARD | 1 | |
| 68 | | | BRACKET 28 | 1 | |