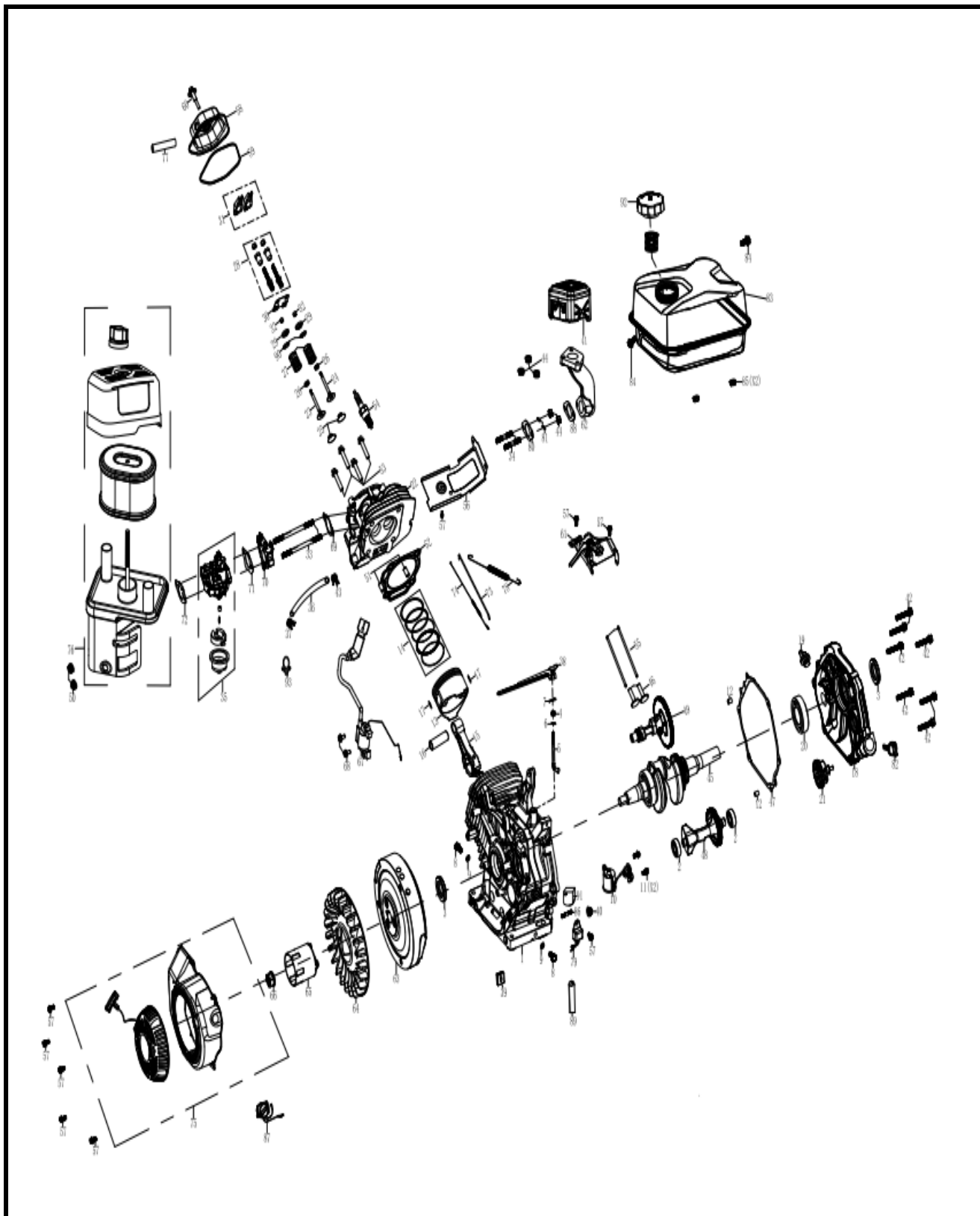


HIDROLAVADORA A GASOLINA 3600PSI 15HP

Parte: MOTOR

Código 498246

Modelo ZGPW3600



HIDROLAVADORA A GASOLINA 3600PSI 15HP

Parte: MOTOR

Código 498246

Modelo ZGPW3600

N°	Cód. Savake	Descripción Español	Descripción Ingles	Cant.	Observaciones
1			CRANKCASE	1	
2			BALL BEARING	2	
3			OIL SEAL	2	
4			SEAL,GOVERNOR ARM SHAFT	1	
5			SHAFT,GOVERNOR ARM	1	
6			WASHER,GOVERNOR ARM SHAFT	1	
7			PIN,LOCK	1	
8			BOLT, DRAIN PLUG	2	
9			WASHER,DRAIN PLUG	2	
10			SWITCH ASSEMBLY,OIL LEVEL	1	
11			BOLT M6X16	2	
12			DOWEL PIN,CASECOVER	2	
13			PISTON	1	
14			SCRAPER RING SET ,PISTON	1	
15			ROD ASSEMBLY., CONNECTING	1	
16			PIN, PISTON	1	
17			CLIP, PISTON	2	
18			COVER ASSEMBLY, CRANKCASE	1	
19			OIL PLUG	1	
20			BALL BEARING	1	
21			GOVERNOR ASSEMBLY	1	
22			CYLINDER HEAD	1	
23			VALVE,IN	1	
24			VALVE EXHAUST	1	
25			RETURNER,INTAKE VALVE	2	
26			OIL SEAL,VALVE	2	
27			SPRING,VALVE	2	
28			ADJUSTER ROCKER ARM	2	
29			SEAT, VALVE SPRING,EX	2	
30			PLATE,PUSH ROD GUIDE	1	
31			ROCKER ASSY	2	
32			ROTATOR	2	
33			BOLT, STUD	2	
34			BOLT, STUD	2	
35			CARBURETOR ASSEMBLY	1	
36			FUEL LINE	1	
37			CLIP,FUEL LINEΦ7.5	1	
38			GOVERNOR ARM	1	
39			RUBBER STARTER ASSY	1	
40			NUT M6	1	
41			MUFFLER COMP	1	
42			BOLT M8X40	7	
43			CLIP,FUEL LINEΦ8	1	

HIDROLAVADORA A GASOLINA 3600PSI 15HP

Parte: MOTOR

Código 498246

Modelo ZGPW3600

N°	Cód. Savake	Descripción Español	Descripción Ingles	Cant.	Observaciones
44			NUT M8	5	
45			CRANKSHAFT ASSEMBLY	1	
46			LIFTER, VALVE	2	
47			PACKING, CASECOVER	1	
48			BALANCING SHAFT	1	
49			CAMSHAFT ASSEMBLY	1	
50			MUT M6	2	
51			PIN, DOWEL	2	
52			GASKET, CYLINDER HEAD	1	
53			BOLT M10X80	4	
54			SPARK PULG	1	
55			ROD, PUSH	2	
56			SHROUD	1	
57			BOLT M6X12	9	
58			COVER COMP, CYLINDER HEAD	1	
59			PACKING, HEADCOVER	1	
60			LOCK BOLT	1	
61			SHROUD ASSY, UPPER	1	
62			EXHAUST PIPE	1	
63			FLYWHEEL ASSEMBLY	1	
64			FAN, RECOIL STARTER	1	
65			PULLEY, STARTER	1	
66			NUT	1	
67			IGNITION COIL ASSY	1	
68			BOLT M6X25	2	
69			PACKING, INTAKE	1	
70			INSULATOR, CARBURETOR	1	
71			PACKING, CARBURETOR	1	
72			SPACER, CARBURETOR	1	
73			ROD, GOVERNOR	1	
74			SPRING, THROTTLE RETURN	1	
75			RECOIL STARTER ASSEMBLY	1	
76			AIR CLEANER ASSEMBLY	1	
77			TUBE, BREATHER	1	
78			SPRING, GOVERNOR	1	
79			AMPLIFIER	1	
80			PACKING, EXHAUST	1	
81			SPRING WASHER	2	
82			DIPSTICK	1	
83			FUEL TANK ASSEMBLY	1	
84			BOLT M8X25	2	
85			NUT M8	2	
86			STUD M6	1	

HIDROLAVADORA A GASOLINA 3600PSI 15HP

Parte: MOTOR

Código 498246

Modelo ZGPW3600

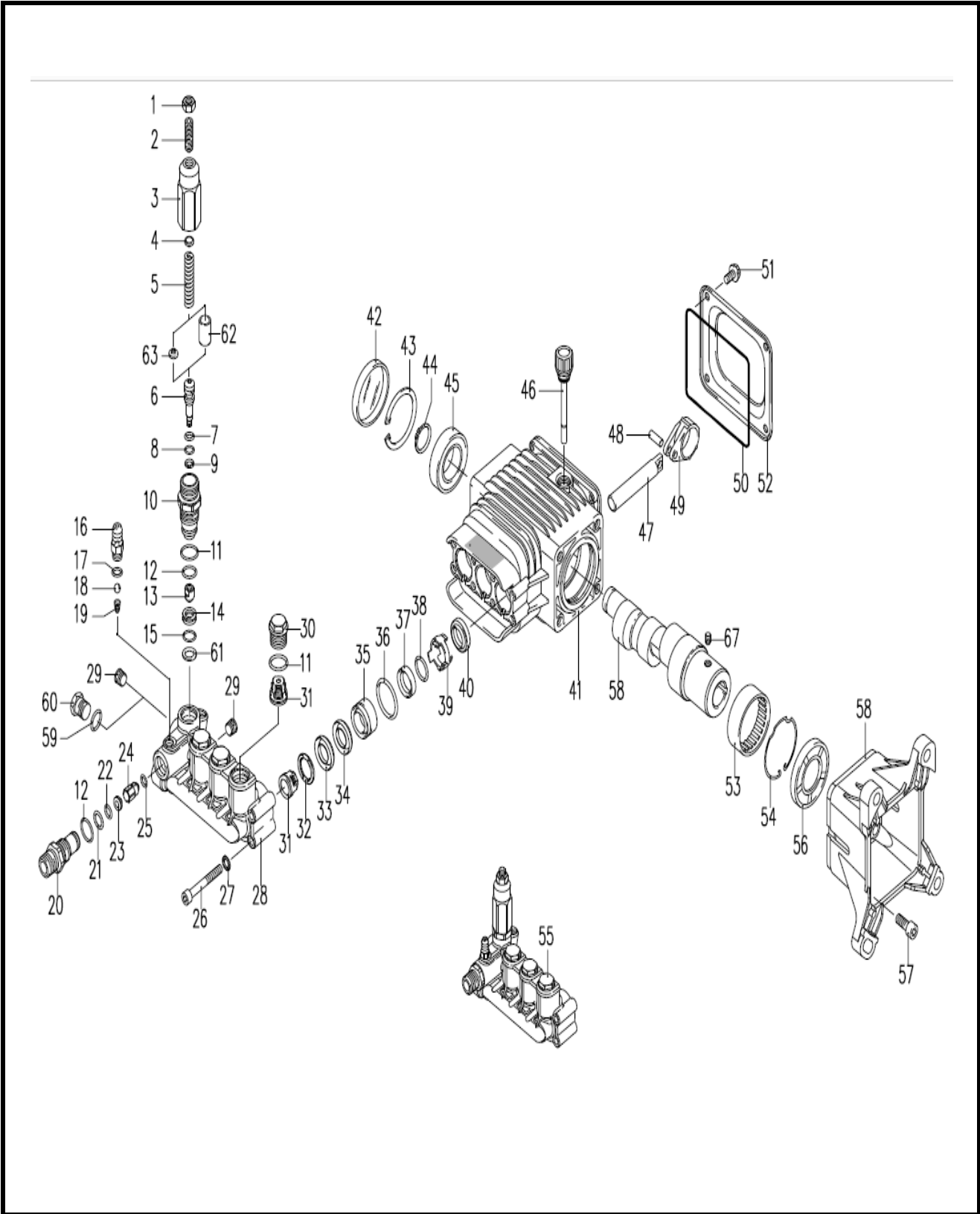
N°	Cód. Savake	Descripción Español	Descripción Ingles	Cant.	Observaciones
87			FLAMEOUT SWITCH	1	
88			THE MUFFLER CONNECTS THE PIPE	1	
89			CLIP,WIRE HARNESS	1	
90			LOCKINMG FLAPS	4	
91			PRESSURE BOX	1	
92			THE CAP	1	
93			Q TYPE LINE CARD	1	

HIDROLAVADORA A GASOLINA 3600PSI 15HP

Parte: **BOMBA**

Código 498246

Modelo ZGPW3600



HIDROLAVADORA A GASOLINA 3600PSI 15HP

Parte: BOMBA

Código 498246

Modelo ZGPW3600

N°	Cód. Savake	Descripción Español	Descripción Ingles	Cant.	Observaciones
1			NUT M6	1	
2			SCREW M6X16	1	
3			VOLTAGE REGULATION SET	1	
4			INCLINED PLATE	1	
5			PRESSURE REGULATING SPRING	1	
6			PRESSURE REGULATING VALVE CORE	1	
7			O-RING	1	
8			O-RING	1	
9			RING	1	
Kit 10			VALVE CORE SET OF	1	
			THE PISTON GUIDE	1	
11			O-RING	4	
12			O-RING	2	
13			THE SHUTTER	1	
14			SEAT	1	
15			O-RING	1	
16			TAIL OF HOSE	1	
17			O-RING	1	
18			THE BALL	1	
19			IN THE SPRING	1	
20			FITTING	1	
21			O-RING	1	
22			O-RING	1	
23			INSERT	1	
24			THE SHUTTER	1	
25			O-RING	1	
26			THE SCREW	8	
27			THE GASKET	8	
28			HEAD	1	
29			THE PLUG	2	
Kit 30			THE PLUG	3	
			THE PLUG	3	
Kit 31			COMPLETA VALVE	6	
			COMPLETA VALVE	6	
32			RING	3	
33			SEAL	3	
34			RING	3	
35			THE PISTON	3	
36			O-RING	3	
37			A WATER SEAL	3	
38			O-RING	3	
39			GASKET	3	

HIDROLAVADORA A GASOLINA 3600PSI 15HP

Parte: BOMBA

Código 498246

Modelo ZGPW3600

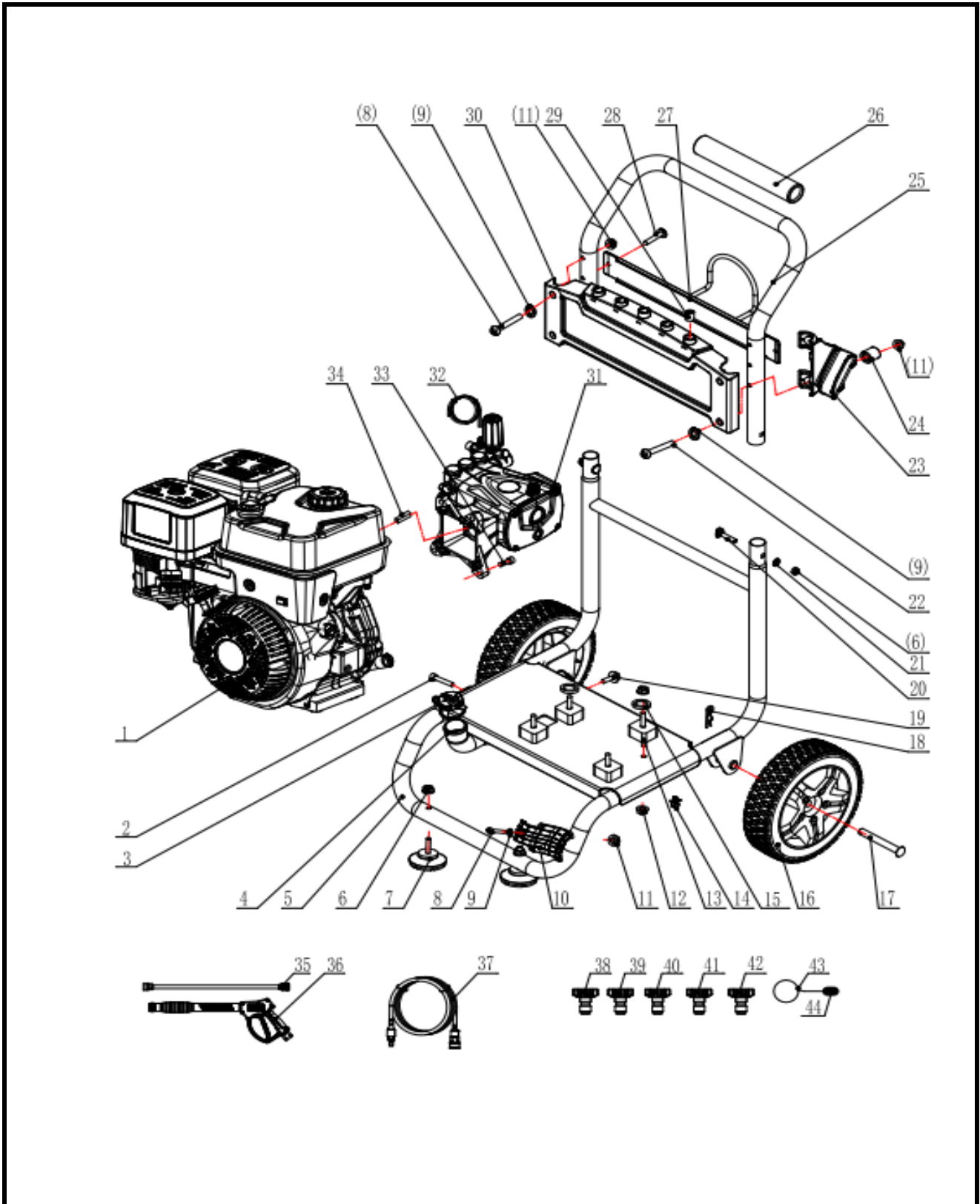
N°	Cód. Savake	Descripción Español	Descripción Ingles	Cant.	Observaciones
40			OIL SEAL	3	
41			PUMP BODY	1	
42			OIL SEAL	1	
43			RING	1	
44			RING	1	
45			BEARING	1	
46			THE PLUG	1	
47			THE PISTON	3	
48			PIN	3	
Kit 49			CONNECTING ROD	3	
			CONNECTING ROD	3	
50			O-RING	1	
51			THE SCREW	4	
52			THE COVER	1	
53			BEARING	1	
54			RING	1	
Kit 55			HEAD ASSEMBLY	1	
			HEAD ASSEMBLY	1	
56			RING	1	
57			THE SCREW	4	
58			THE SCREW	1	
Kit 59			SHAFT	1	
			SHAFT	1	
			SHAFT	1	
60			THE FLANGE	1	
61			O-RING	1	
62			THE PLUG	1	
63			RING	1	
64			PUSH	1	
65			PLATE	1	
66	510479	BOMBA HIDROLAVADORA P/ZGPW3600	PUMP COMPLETE	1	

HIDROLAVADORA A GASOLINA 3600PSI 15HP

Parte: HIDROLAVADORA

Código 498246

Modelo ZGPW3600



HIDROLAVADORA A GASOLINA 3600PSI 15HP

Parte: HIDROLAVADORA

Código 498246

Modelo ZGPW3600

N°	Cód. Savake	Descripción Español	Descripción Ingles	Cant.	Observaciones
1			ENGINE	1	
2			BOLT M6 X 40	1	
3	537027	KIT PARA DETERGENTE P/ZGPW3600	SOAP TANK CAP	1	
4			SOAP TANK	1	
5			FRAME BASE	1	
6			LOCK NUT M8	4	
7			FOOT, FRAME ISOLATING	2	
8			SCREW M6x45	3	
9			WASHER	5	
10			POTHOOK,GUN	1	
11			LOCK NUT M6	5	
12			BOLT M10*1.25	8	
13			VIBRATION	4	
14			TUBING CLIP	5	
15			PLAIN WASHER	2	
16			WHEEL	2	
17			AXLE	2	
18			HAIR PIN	2	
19			M6x16 BOLT	2	
20			BOLT	2	
21			FLAT GASKET	2	
22			BOLT M6x55	2	
23			HOOK,SPRAY GUN	1	
24			BUSHING	2	
25			HANDLE, FRAME	1	
26			FOAM GRIP	1	
27			HOOK, HIGH PRESSURE HOSE	1	
28			BOLT M6x35	2	
29			NOZZLE HOLDER	5	
30			PANEL COMP	1	
31			WATER PUMP ASSEMBLY	1	
32			SIPHON TUBE	1	
33			BOLT M10*30	4	
34			FLAT KEY	1	

HIDROLAVADORA A GASOLINA 3600PSI 15HP

Parte: HIDROLAVADORA

Código 498246

Modelo ZGPW3600

N°	Cód. Savake	Descripción Español	Descripción Ingles	Cant.	Observaciones
35	536987	PISTOLA CON BOQUILLAS P/ZGPW3600	WAND W/QC	1	
36			SPRAY GUN	1	
38			NOZZLE	1	
39			NOZZLE	1	
40			NOZZLE	1	
41			NOZZLE	1	
42			NOZZLE	1	
37	537019	MANGUERA P/ZGPW3600	HIGH PRESSURE HOSE	1	
43			NOZZLE CLEANING TOOL	1	
44			HOLDER, NOZZLE CLEANING TOOL	1	