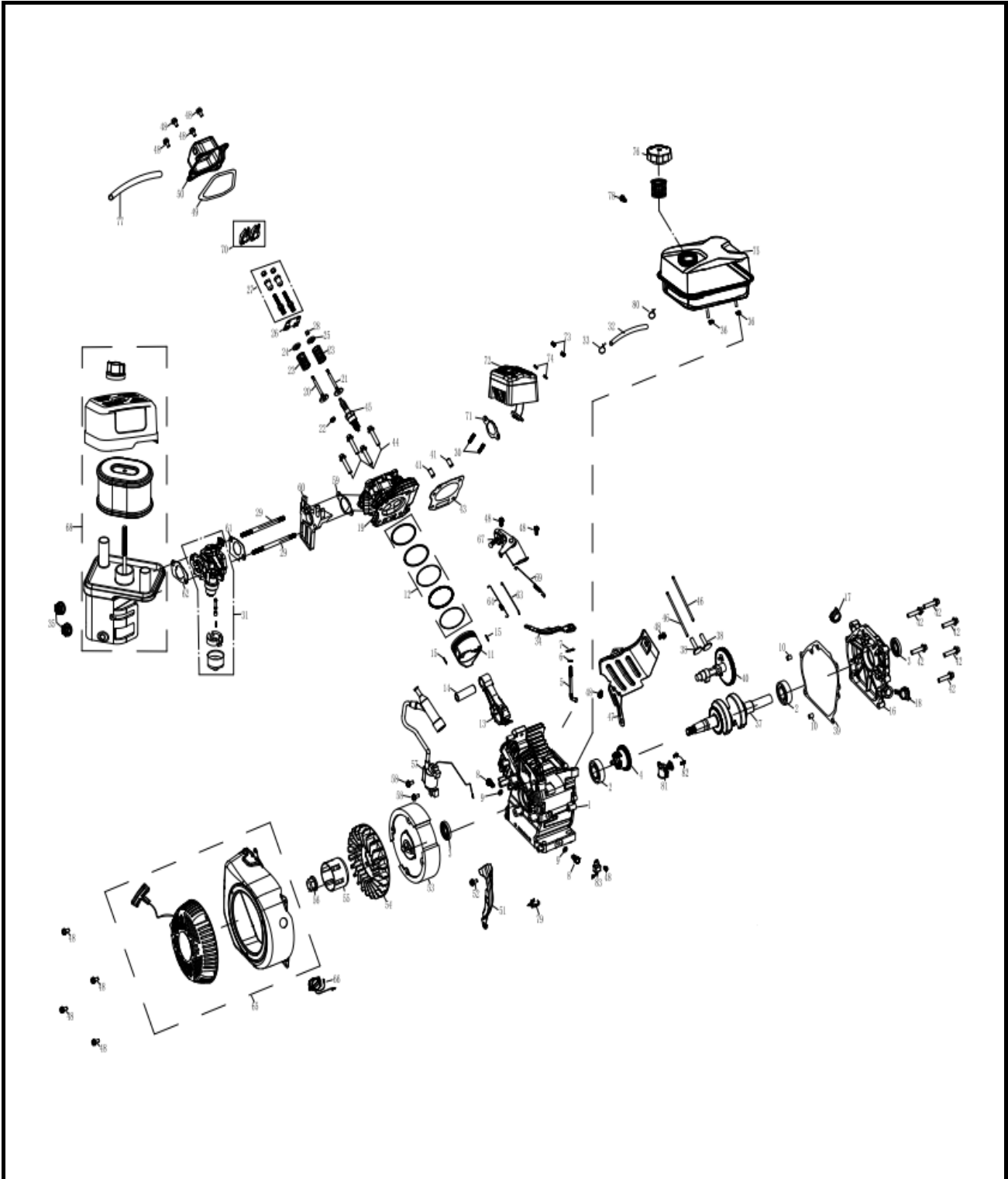


HIDROLAVADORA A GASOLINA 3100PSI 7HP

Parte: MOTOR

Código 498220

Modelo XGPW3100



HIDROLAVADORA A GASOLINA 3100PSI 7HP

Parte: MOTOR

Código 498220

Modelo XGPW3100

N°	Cód. Savake	Descripción Español	Descripción Ingles	Cant.	Observaciones
1			CRANKCASE	1	
2			BALL BEARING	2	
3			OIL SEAL	2	
4			GOVERNOR ASSEMBLY	1	
5			SHAFT,GOVERNOR ARM	1	
6			WASHER,GOVERNOR ARM SHAFT	1	
7			PIN,LOCK	1	
8			BOLT, DRAIN PLUG	2	
9			WASHER,DRAIN PLUG	2	
10			DOWEL PIN,CASECOVER	2	
11	537001	KIT PISTON BOMBA P/XGW3100	PISTON	1	
12			SCRAPER RING SET ,PISTON	1	
15			CLIP, PISTON	2	
13			ROD ASSEMBLY., CONNECTING	1	
14			PIN, PISTON	1	
16			COVER ASSEMBLY, CRANKCASE	1	
17			OIL PLUG	1	
18			DIPSTICK	1	
19			CYLINDER HEAD	1	
20			VALVE,IN	1	
21			VALVE EXHAUST	1	
22			RETURNER,INTAKE VALVE	1	
23			SPRING,VALVE	2	
24			SEAT, VALVE SPRING,IN	1	
25			SEAT, VALVE SPRING,EX	1	
26			PLATE,PUSH ROD GUIDE	1	
27			ROCKER ARM TIGHTENING BOLTS	2	
28			ROTATOR	1	
29			BOLT, STUD	2	
30			BOLT, STUD	2	
31			CARBURETOR ASSEMBLY	1	
32			FUEL LINE	1	
33			CLIP,FUEL LINE	1	
34			GOVERNOR ARM	1	
35			NUT M6	2	
36			NUT M6	2	
37			CRANKSHAFT ASSEMBLY	1	
38			LIFTER,VALVE	2	
39			PACKING,CASECOVER	1	
40			CAMSHAFT ASSEMBLY	1	

HIDROLAVADORA A GASOLINA 3100PSI 7HP

Parte: MOTOR

Código 498220

Modelo XGPW3100

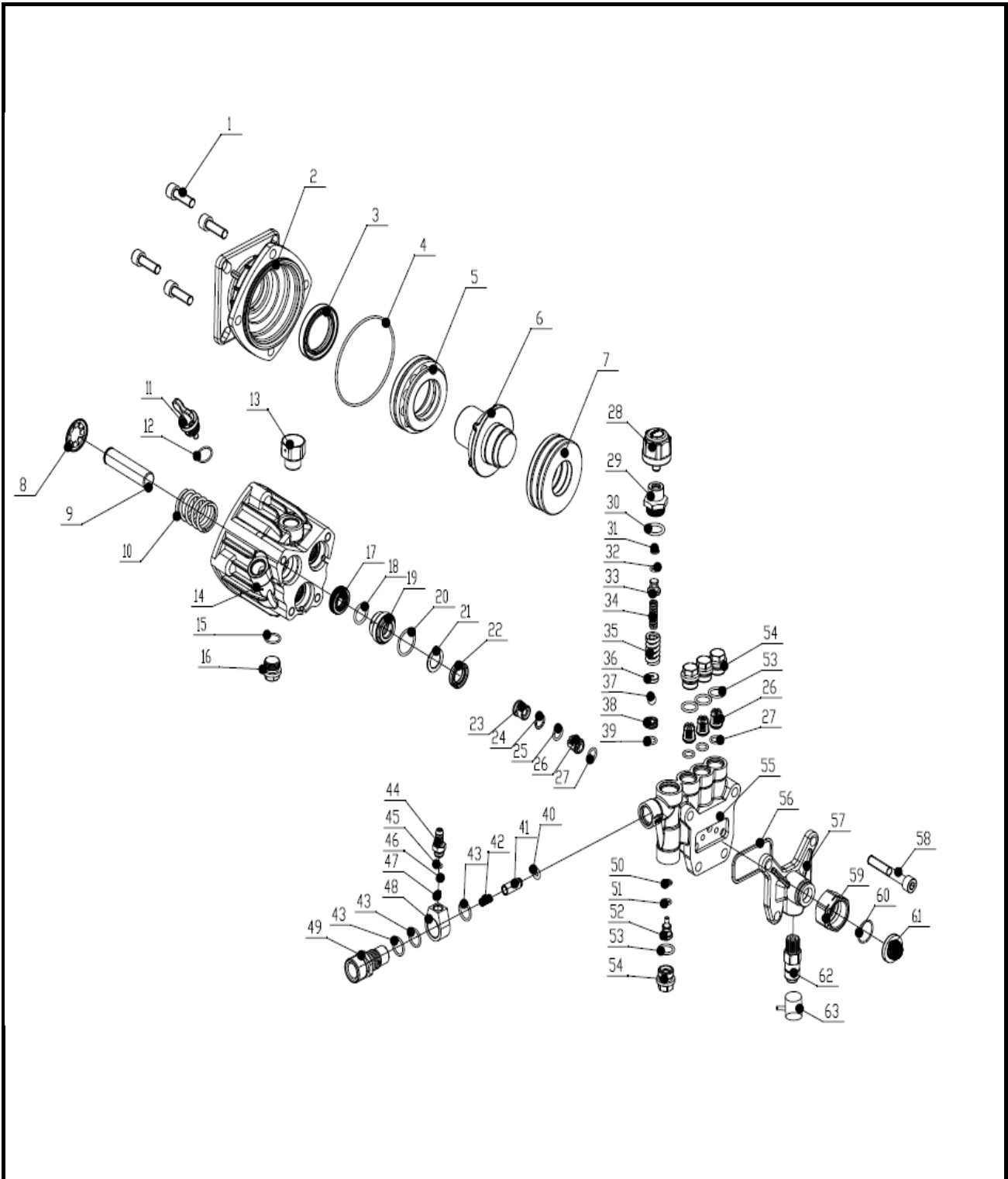
N°	Cód. Savake	Descripción Español	Descripción Ingles	Cant.	Observaciones
41			PIN, DOWEL	2	
42			BOLT M8X30	6	
43			GASKET,CYLINDER HEAD	1	
44			BOLT M8X60	4	
45			SPARK PULG	1	
46			ROD,PUSH	2	
47			SHROUD	1	
48			BOLT M6X12	13	
49			PACKING,HEADCOVER	1	
50			COVER COMP,CYLINDER HEAD	1	
51			WIND SHIEL COMP.	1	
52			BOLT M6X20	1	
53			FLYWHEEL ASSEMBLY	1	
54			FAN,RECOIL STARTER	1	
55			PULLEY,STARTER	1	
56			NUT	1	
57			IGNITION COIL ASSY	1	
58			BOLT M6X25	2	
59			PACKING,INTAKE	1	
60			INSULATOR,CARBURETOR	1	
61			PACKING,CARBURETOR	1	
62			SPACER,CARBURETOR	1	
63			ROD,GOVERNOR	1	
64			SPRING,THROTTL RETURN	1	
65			RECOIL STARTER ASSEMBLY	1	
66			SWITCH ASSEMBLY	1	
67			SHROUD ASSY,UPPER	1	
68			AIR CLEANER ASSEMBLY	1	
69			SPRING,GOVERNOR	1	
70			ROCKER ARM	2	
71			PACKING,EXHAUST	1	
72			MUFFLER COMP	1	
73			NUT M8	2	
74			SPRING WASHER Ø8	2	
75			FUEL TANK	1	
76			FUEL TANK CAP COMP	1	
77			TUBE, BREATHER	1	
78			BOLT M6X28	1	
79			CLIP	1	
80			CLIP,FUEL LINE	1	
81			SWITCH ASSEMBLY,OIL LEVEL	1	
82			BOLT M6*16	2	
83			AMPLIFIER	1	

HIDROLAVADORA A GASOLINA 3100PSI 7HP

Parte: BOMBA

Código 498220

Modelo XGPW3100



HIDROLAVADORA A GASOLINA 3100PSI 7HP

Parte: BOMBA

Código 498220

Modelo XGPW3100

N°	Cód. Savake	Descripción Español	Descripción Ingles	Cant.	Observaciones
1			Hexagon socket head bolt	4	
2			Oxidized black tray /3025	1	
3	510388	SELLO TRASERO DE LA BOMBA P/XGPW3100	Rotary oil seal	1	
4			o-rings	1	
5			One-way thrust ball bearing	1	
6			Iron swash plate / 3025-2 a	1	
7			One-way thrust ball bearing	1	
8			Plunger spring /3025	3	
9			Rotary pump plunger /3025	3	
10			Compression spring /3025 plunger	3	
11			Fuel plug /3025	1	
12			o-rings	1	
13	510396	TAPON RESPIRADERO DE LA BOMBA P/XGPW3100	Vent oil plug assembly	1	
14			The black oxide swash plate / 3025 II	1	
15			o-rings	1	
16			Oil drain bolt	1	
17	510354	KIT DE SELLOS DE ACEITE P/XGPW3100	Reciprocating seal	3	
18			o-rings	3	
19			Locating ring / 3025	3	
20	510362	KIT DE SELLOS DE AGUA P/XGPW3100	o-rings	3	
21			Water seal sheet /3025	3	
22			Double cloth water seal /15 type	3	
23			Fill valve bonnet /3025	3	
24			Plastic split retainer	3	
25			o-rings	3	
26	510404	KIT DE VÁLVULAS DE RETENCIÓN P/XGPW3100	One-way valve kit /3025	6	
27			o-rings	6	
28			Pressure adjusting bolt /3025	1	
29			Regulating / 3025	1	
30			o-rings	1	
31			Plastic split retainer	1	
32			o-rings	1	
33			Spring seat /3025	1	
34			Compressed spring /3025 adjusted pressure	1	
35			Compressed spring /3025 adjusted pressure	1	

HIDROLAVADORA A GASOLINA 3100PSI 7HP

Parte: BOMBA

Código 498220

Modelo XGPW3100

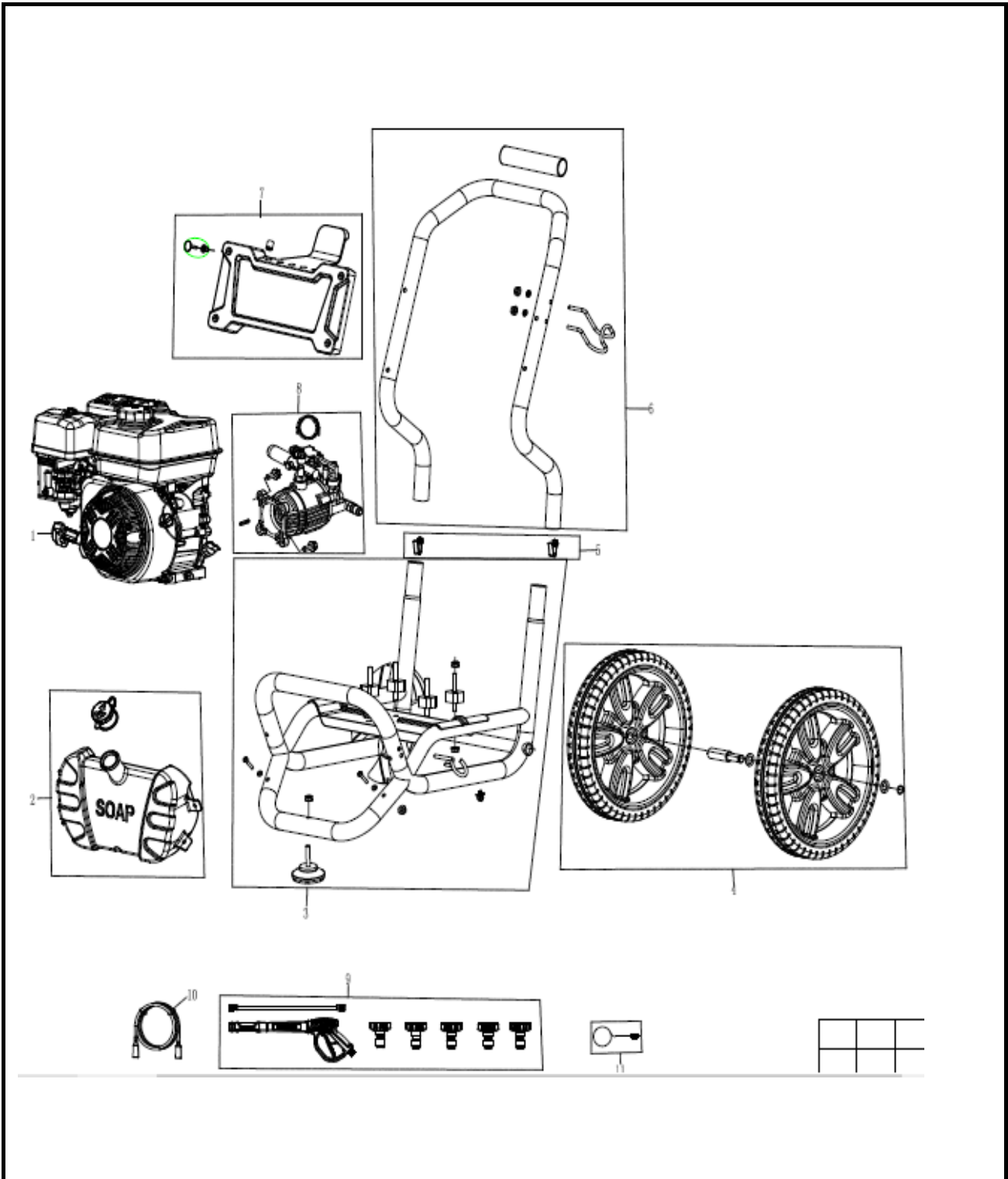
N°	Cód. Savake	Descripción Español	Descripción Ingles	Cant.	Observaciones
36			Pressure adjustable steel ball seat /3025	1	
37			Steel ball	1	
38			Pressure regulating seat /3025	1	
39			o-rings	1	
40			o-rings	1	
41			Outlet cone valve /3025	1	
42			Compression spring /3025 outlet cone valve	1	
43			o-rings	3	
44			Universal suction nozzle	1	
45			o-rings	1	
46			Steel ball	1	
47			Compressed spring /1507 suction nozzle	1	
48			Suction sleeve	1	
49			Outlet connection matrix / 3025-c	1	
50			Plastic split retainer	1	
51			o-rings	1	
52			Pressure regulating valve core /3025	1	
53			o-rings	4	
54			Outlet valve cap /3025	4	
55			Cylinder / 3025	1	
56			Rubber gasket /3025 water seat	1	
57	532895	TAPA ACOPLE MANGUERA P/XGPW3100	Oxidized black water seat /3025	1	
58			Hexagon socket head bolt	4	
59			Fill water union nut /3025	1	
60			Quick joint spring	1	
61			Enter the filter for water entry	1	
62			Temperature control valve	1	
63			Temperature control valve guide sleeve	1	
64	510412	BOMBA HIDROLAVADORA P/XGPW3100	Pump complete	1	

HIDROLAVADORA A GASOLINA 3100PSI 7HP

Parte: HIDROLAVADORA

Código 498220

Modelo XGPW3100



HIDROLAVADORA A GASOLINA 3100PSI 7HP

Parte: HIDROLAVADORA

Código 498220

Modelo XGPW3100

N°	Cód. Savake	Descripción Español	Descripción Ingles	Cant.	Observaciones
1			POWER DH208	1	
2	521898	KIT PARA DETERGENTE P/XGPW3100	SOAP TANK CAP	1	
4			SOAP TANK	1	
3			HEXAGON SOCKET HEAD BOLT M6*	7	
5			THE CHASSIS BASE	1	
6			SINCE THE LOCK NUT M8	1	
7			MATS	1	
8			UNDER THE GUN	1	
9			NUT M6	9	
10			REEL NUT M8	8	
11			CUSHIONING	4	
12			CASTOR	2	
13			SHAFT	2	
14			R PIN	2	
15			Q TYPE LINE CARD	3	
16			PLAY BUTTON	2	
17			CROSS SLOTTED ROUND HEAD BOL	2	
18			SWINGING ROD GASKET	9	
19			THE FRAME RAILS	1	
20			IGNITER BUSH	2	
21			ON THE STOCK	1	
22			PANEL	1	
23			SCREWS	4	
24			HIGH PRESSURE PIPE HANGER	1	
25			GAUNTLETS	1	
26			NOZZLE SET	5	
27			THE WATER PUMP ASSEMBLY	1	
28			REEL BOLT M8*20	4	
29			THE CRANKSHAFT FLAT KEY	1	
30	510446	PISTOLA HIDROLAVADORA P/XGPW3	SPRAY ROD COMPONENTS	1	
31			SPRAY GUN	1	
32			NEEDLE	1	
33			NEEDLE SHEATH	1	
34	521880	MANGUERA P/XGPW3100	HIGH PRESSURE PIPE	1	
35			LIQUID SUCTION HOSE	1	
36	510453	KIT DE BOQUILLA DE PRESION P/XGPW3100	THE NOZZLE	1	
37			THE NOZZLE	1	
38			THE NOZZLE	1	
39			THE NOZZLE	1	
40			THE NOZZLE	1	