



GUADAÑA MULTIUSO 4 EN 1

Parte: MOTOR

Código 494591

Modelo XBC26M4

N°	Cód. Savake	Descripción Español	Descripción Ingles	Cant.	Observaciones
11	528091	EMPAQUE CARBURADOR P/XBC26M4	Carburetor Gasket	1	
12			Inlet Manifold	1	
13	528166	INSULADOR P/XBC26M4	Inlet Manifold Gasket	1	
14			Screw M4*16	6	
15	542480	ARRANQUE MANUAL P/XBC26M4	Starter	1	
16	528240	TRINQUETE DE ARRANQUE P/XBC26M4	Starter Pulley Ass'y	1	
17			Starter Pulley	1	
18			Starter Pawl Spring	1	
19			Starter Pawl	1	
20	528075	CARTER COMPLETO P/XBC26M4	Rear Half Crankcase	1	
27			First Half Crankcase	1	
21			Oil Seal 12*22*7	2	
22			Ball Bearing 6001/P5	1	
23	520510	CIGUEÑAL P/XBC26M4	Crank Shaft Comp.	1	
24			key 3*4*11	1	
25			Crankcase Gasket	1	
26			Pin 3*10	4	
27			First Half Crankcase	1	
28			Motor Rotor	1	
29			Washer	1	
30			NUT M8*1	1	
31			Washer 6*15*1	1	
32	515668	EMBRAGUE P/XBC26M4	Clutch Shoe Comp.	1	
33			Clutch Block.	2	
34			Clutch Shoe Spring	1	
35			Washer	2	
36			Clutch Step Screw.	2	
37			Fan Cover	1	
38			Parking line	1	
39	515676	BOBINA P/XBC26M4	Rubber plug	1	
40			Fan Cover	1	
41			Screw M4*16	2	

GUADAÑA MULTIUSO 4 EN 1

Parte: MOTOR

Código 494591

Modelo XBC26M4

N°	Cód. Savake	Descripción Español	Descripción Ingles	Cant.	Observaciones
42			Screw M5*25	4	
43			Air deflector	1	
44			Screw M5*16	1	
45	515684	CAPUCHON P/ BOBINA XBC26M4	cap	1	
46			Cover	1	
47			Spark plug	1	
48			Cover	1	
49	528216	TAPA MOTOR P/XBC26M4	Cylinder Cover	1	
50			Screw M4*12	1	
51			Screw M5*50	2	
52			Silencer	1	
53	528125	EMPAQUE SILENCIADOR P/XBC26M4	Silencer Gasket	1	
54	515692	CILINDRO P/XBC26M4	Cylinder	1	
55	528117	EMPAQUE CILINDRO P/XBC26M4	Cylinder Gasket	1	
56	515700	KIT PISTON COMPLETO P/XBC26M4	Piston Ring	2	
57			Piston	1	
58			washer	2	
59			Piston Pin	1	
60			KBK081110	1	
61			Piston Pin Circllet	2	
62			Screw M5*20	3	
63			washer %%C6	1	
64	515718	TANQUE DE COMBUSTIBLE P/XBC26M4	Fuel tank	1	
65	515726	TAPA TANQUE DE COMBUSTIBLE P/XBC26M4	Fuel Tank Cover Ass'y	1	
66			Anti slip chain	1	
67			Anti slip chain seat	1	
68			Air Inlet Nozzle bracket	1	
69			Fuel Tank Cover Gasket	1	
70			Air Inlet Nozzle	1	



GUADAÑA MULTIUSO 4 EN 1

Parte: GUADAÑA

Código 494591

Modelo XBC26M4

N°	Cód. Savake	Descripción Español	Descripción Ingles	Cant.	Observaciones
1	550855	CAMPANA P/XBC26M4	Clutch drum	1	
2			stop ring %%C15	1	
3	515577	CAMPANA COMPLETA P/XBC26M4	Clutch case	1	
4			Rubber cover	1	
5			Clamp A	1	
6			Clamp B	1	
7			Screw M5x12	1	
8			Screw M5x25	3	
9			Bearing 6202	1	
10			Stop ring%%C35	1	
11	515619	PORTA CAMPANA CON TUBO P/XBC26M4	C2 CLUTCH COMP.	1	
12			Screw M6x20	4	
13			Harness Clamp	1	
14			Harness Ass'y	1	
15			Clamp	1	
16			Screw M5x20	4	
17			NUT M5	1	
18			Starter Pawl Spring	1	
19			Drive Shaft 1	1	
12					
13	528034	ARNES P/XBC26M4	Harness Clamp	1	
14			Harness Ass'y	1	
15			Clamp	1	
16			Screw M5x20	4	
17			NUT M5	1	
11	515585	TUBO Y ACOPLE GUADAÑA COMPLETO P/XBC26M4	C2 CLUTCH COMP.	1	
12			Screw M6x20	4	
13			Harness Clamp	1	
14			Harness Ass'y	1	
15			Clamp	1	
16			Screw M5x20	4	
17			NUT M5	1	
18			Pipe 1	1	
19			Drive Shaft 1	1	
20			Oil-Bearing	8	
21			Rubber Cover	8	
22			Adaptor comp.	1	
23			Screw M5x12	1	
24			Lock knob	1	

GUADAÑA MULTIUSO 4 EN 1

Parte: GUADAÑA

Código 494591

Modelo XBC26M4

N°	Cód. Savake	Descripción Español	Descripción Ingles	Cant.	Observaciones
25	515585	TUBO Y ACOPLA GUADAÑA COMPLETO P/XBC26M4	S.Washer 6	1	
26			nut M5	1	
27			JOINT PIPE	1	
28			Pin	1	
29			NUT M6	1	
30			Drive shaft2	1	
31			Pipe2	1	
32			E4 Gear case Assy	1	
18			Pipe 1	1	
19	551143	VARILLA ACOPLA TUBO P/XBC26M4	Drive Shaft 1	1	
20			Oil-Bearing	8	
21			Rubber Cover	8	
22	542464	ACOPLE DEL EJE P/XBC26M4	Adaptor comp.	1	
23			Screw M5x12	4	
24	515601	LLAVE DE AJUSTE TUBO P/XBC26M4	Lock knob	1	
25			S.Washer 6	1	
26			nut M5	1	
27			JOINT PIPE	1	
28			Pin	1	
29			NUT M6	1	
30	551150	VARILLA ACOPLA CAJA ENGRANAJES P/XBC26M4	Drive shaft2	1	
31			Pipe2	1	
32	515627	TRANSMISION COMPLETA P/XBC26M4	E4 Gear case Assy	1	
33			Left Nut M10x1.25	1	
34			Bolt protection cover	1	
35			Holder B	1	
36			Holder A	1	
37			Safety guard	1	
38			Bearing 6002RS	1	
39			Gear Shaft	1	
40			Gear	1	
41			Bearing 6000	2	

GUADAÑA MULTIUSO 4 EN 1

Parte: GUADAÑA

Código 494591

Modelo XBC26M4

N°	Cód. Savake	Descripción Español	Descripción Ingles	Cant.	Observaciones
42			GEAR CASE	1	
43			Screw M6x12	1	
44			Screw M5x12	1	
45			Screw M6x25	1	
46			Pinion	1	
47			STOP RING 10	1	
48			STOP RING 26	1	
49			Bearing 6000RS	1	
50			STOP RING 32	1	
51			Screw M5x12	3	
52	515635	MANUBRIO DE AGARRE COMPLETO P/XBC26M4	H2 HANDGRIP	1	
53			Screw M6*45	2	
54			HANDLE	1	
55			HANDLE BRACKET A	1	
56			pin Ø6	2	
57			pin Ø6	2	
58			NUT M6	2	
59	542506 / 515643	MANDO DE ACELERACION P/XBC26M4	H6 Control box	1	
60	507889	GATILLO DE ACELERACION GUADAÑA MULTIUSO	HANDGRIP	4	
61			BOX,LEFT	2	
62			CABLE COMP.	1	
63			Stop line	1	
64			TUBE	1	
65			BOX,RIGHT	1	
66			Screw M4*16	4	
67			Screw ST2.9*12	2	
68			HANDGRIP	1	
69			Stop button comp.	1	
70			SPRING	1	
71			P1 Harness Ass'y	1	
72			SCREW M5X30	2	
73			Bracket	1	
74			Screw M5x12	1	
75			SCREW ST4.2X16	3	
76			Safety Guard	1	

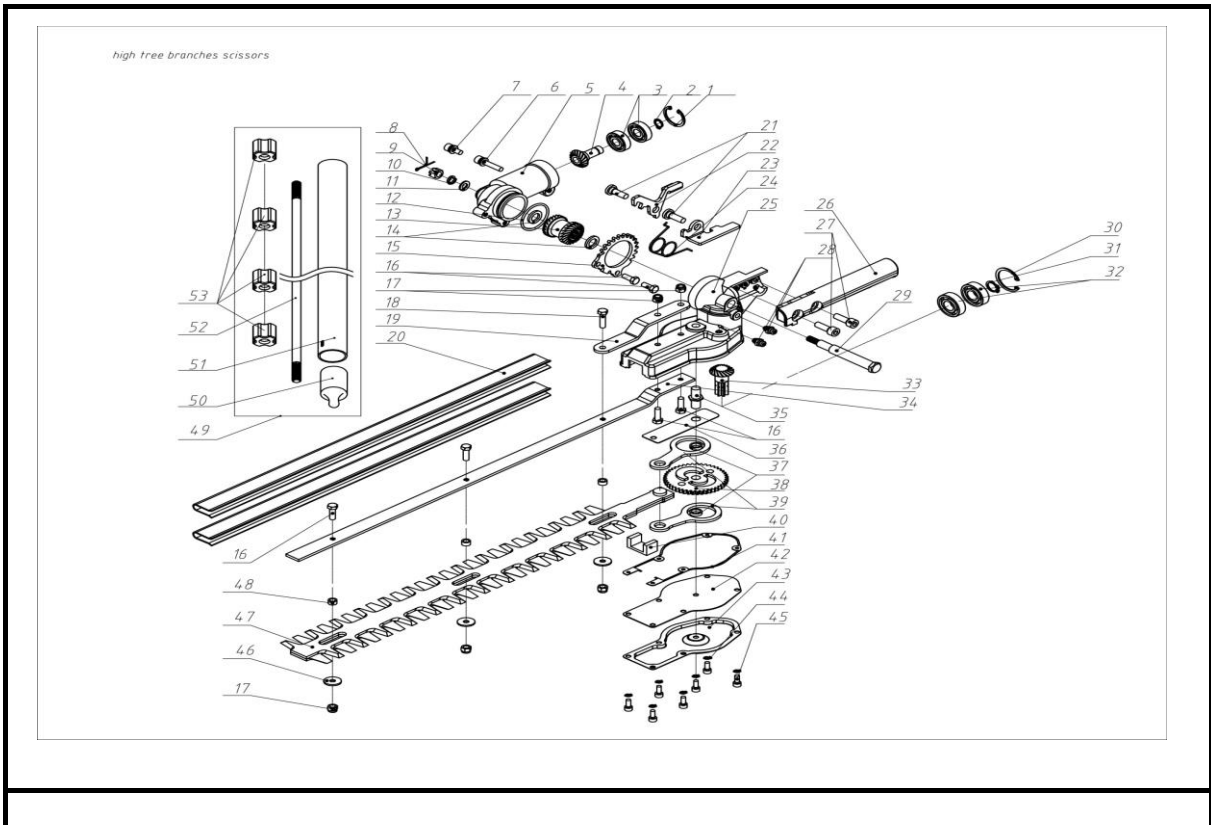
77			Blade	2	
78			Guard	1	
79			SCREW M5X16	4	

GUADAÑA MULTIUSO 4 EN 1

Parte: CORTASETOS

Código 494591

Modelo XBC26M4



GUADAÑA MULTIUSO 4 EN 1

Parte: CORTASETOS

Código 494591

Modelo XBC26M4

N°	Cód. Savake	Descripción Español	Descripción Ingles	Cant.	Observaciones
1	515775	TUBO Y ACOPLE CORTASETO P/XBC26M4	hole ring Ø24	1	
2			shaft ring Ø9	1	
3			bearing6000	2	
4			small gear	1	
5			small gear case	1	
6			screw M5x25	1	
7			screw M5x12	1	
8			pin 1.2X27	1	
9			nut M6	1	





GUADAÑA MULTIUSO 4 EN 1

Parte: CORTASETOS

Código 494591

Modelo XBC26M4

N°	Cód. Savake	Descripción Español	Descripción Ingles	Cant.	Observaciones
10	515775	TUBO Y ACOPLE CORTASETO P/XBC26M4	Spring washers M6	1	
11			gasket M6	1	
12			"o" ring	1	
13			big gear	1	
14			Antifriction mat 1	2	
15			Rotational positioning gear	1	
16			screw M5x16	6	
17			nut M5	5	
18			screw M5x20	1	
19			Reinforcing plate	1	
20			blade sheath	2	
21			screw M6	2	
22			Rotational positioning clip	1	
23			positioning clip handle	1	
24			spring	1	
25			big gear case	1	
26			Rotational clip handle	1	
27			screw M5x18	2	
28			add ail hole	2	
29			big gear shaft	1	
30			hole ring ø28	1	
31			shaft ring ø12	1	
32			bearing 6001	2	
33			drive gear	1	
34			blade fixed plate	1	
35			gear shaft	1	
36			plate	1	
37			Antifriction mat 2	2	
38			out gear	1	
39			rod	2	
40			sponge	1	
41			crankcase gasket	1	
42			Antifriction plate	1	
43			crankcase cover	1	
44			Spring washers M4	7	
45			screw M4x10	7	
46			gasket ø16Xø5.2X1.5	3	
47			blade	1	
48			blade gasket	3	
49			Aluminum tube assembly	1	
50			plug	1	
51			Aluminum tube 810	1	
52			drive shaft	1	
53			Oil bearing combination	4	

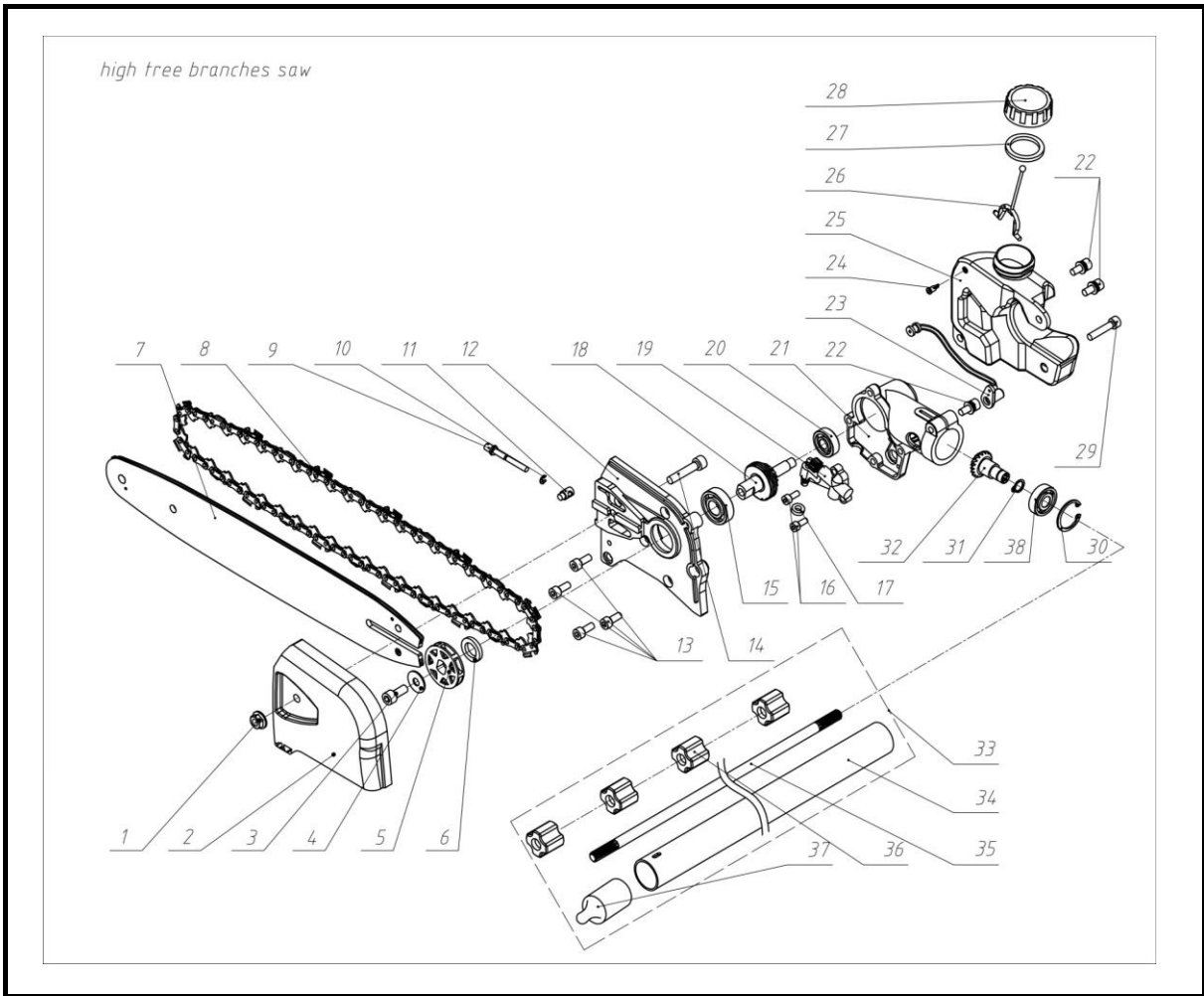
52	551168	VARILLA ACOPLA CORTACETO P/XBC26M4	drive shaft	1	
N°	Cód. Savake	Descripción Español	Descripción Ingles	Cant.	Observaciones
47	511915	CUCHILLAS CORTASETO P/ MULTIFUNC XBC26M4	blade	1	

GUADAÑA MULTIUSO 4 EN 1

Parte: MOTOSIERRA

Código 494591

Modelo XBC26M4



N°	Cód. Savake	Descripción Español	Descripción Ingles	Cant.	Observaciones
1			nut M6	1	
2	551127	TAPAS DE TRANSMISION P/ XBC26M4	cover	1	
3			screw M6x14	1	
4			gasket Ø5	1	
5	551093	PIÑON P/ XBC26M4	sprocket	1	
6			bearing gasket	1	
7	551135	ESPADA P/XBC26M4	12 inch chain plate	1	
8	518225	CADENA PARA GUADAÑA MULTIUSO	12 inch chain	1	
9	551192	TORNILLO TENSOR CADENA P/XBC26M4	Adjust the screw	1	
10			Shaft ring Ø3	1	
11			Adjust the nut	1	
12			Gear case cover	1	
13			screw M5x12	4	
14			screw M6x35	1	
15			bearing6001-2RS	1	
16			screw M4x10	2	
17			sponge	1	
18	551051	PIÑON SIN FIN P/XBC26M4	out shaft	1	
19	551044	BOMBA ACEITE P/XBC26M4	oil pump	1	
20			bearing627	1	
21			Gear case body	1	
22			screw M5x12	3	
23			tubing	1	
24			Check valve	1	
25	551036	DEPOSITO DE ACEITE P/XBC26M4	oil pot	1	
26			Prevent to take off the chain	1	
27			gasket	1	
28			pot cap	1	
29			screw M5x25	1	
30			shaft ring Ø24	1	
31			shaft ring Ø9	1	
32	551085	PIÑON HONGO P/ XBC26M4	Transmission gear	1	
33			Aluminum tube assembly	1	
34			Aluminum tube 810	1	
35	551176	VARILLA ACOPLA MOTOSIERRA P/XBC26M4	drive shaft	1	
36			Oil bearing combination	4	
37			plug	1	
38			bearing6000-2RS	1	