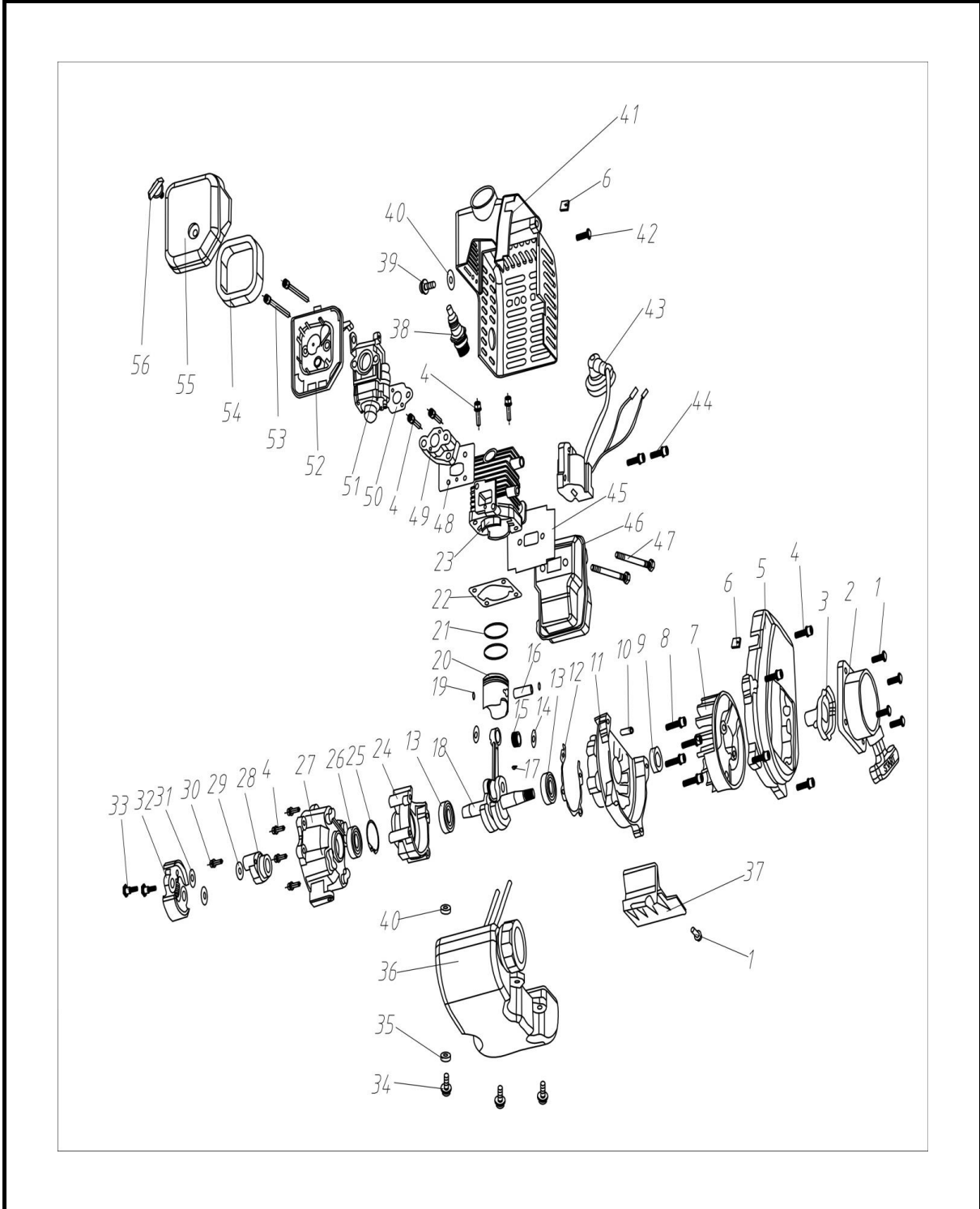


CORTASETO 26CC 35MM

Parte: **MOTOR**

Código 494567

Modelo XHT26



CORTASETO 26CC 35MM

Parte: MOTOR

Código 494567

Modelo XHT26

N°	Cód. Savake	Descripción Español	Descripción Ingles	Cant.	Observaciones
1			Screw M4x14	1	
2	520338	ARRANQUE COMPLETO P/XHT26	Starter	1	
3			Starter Pulley Ass'y	1	
4			Screw M5x20	10	
5			Fan Cover	1	
6			Rubber Plug	1	
7			Motor Rotor	1	
8			Screw M5x25	4	
9			Oil Seal $\phi 22 \times \phi 12 \times 7$	1	
10			pin B3X8	1	
11			First Half Crankcase	1	
12			Crankcase Gasket	1	
13			Ball Bearing 6001	2	
14			Washer	2	
15			Needle Bearing KBK081112	1	
16			Piston Pin	1	
17			Key 3X5X10	1	
18	520379	CIGÜEÑAL P/XHT26	Crank Shaft Comp.	1	
19			Piston Pin Circllet	2	
20	520411	PISTON P/XHT26	Piston	1	
21	520387	ANILLOS P/XHT26	Piston Ring	2	
22			Cylinder Gasket	1	
23	520361	CILINDRO P/XHT26	Cylinder	1	
24			Rear Half Crankcase	1	

CORTASETO 26CC 35MM

0

MOTOR

Código 494567

Modelo XHT26

N°	Cód. Savake	Descripción Español	Descripción Ingles	Cant.	Observaciones
25			Stop Ring ø28	1	
26			Oil Sealø28xø12x7	1	
27			clutch case	1	
28	550905	BASE DEL EMBRAGUE P/XHT26	clutch stand	1	
29			Washer ø6xø16x2	1	
30			Screw M6X16	1	
31			Washer	2	
32	520395	EMBRAGUE P/XHT26	Clutch Shoe Comp.	1	
33			Clutch Step Screw.	2	
34			Screw M5×20	3	
35			Washer	1	
36	520403	TANQUE COMBUSTIBLE P/XHT26	Fuel tank Ass'y	1	
37			Insulation Board	1	
38			Spark Plug	1	
39			Screw M4×12	1	
40			Gasket	2	
41			Cylinder Cover	1	
42			Screw M5×16	1	
43			Motor Stator	1	
44			Screw M4×20	2	
45			Silencer Gasket	1	
46	520429	EXOSTO P/XHT26	Silencer	1	
47			Screw M5X50	2	
48			Inlet Manifold Gasket	1	
49			Inlet Manifold	1	
50			Carburetor Gasket	1	
51	520353	CARBURADOR P/XHT26	Carburetor	1	
52			Air Filter Inside Cover	1	
53			Screw M5×55	2	

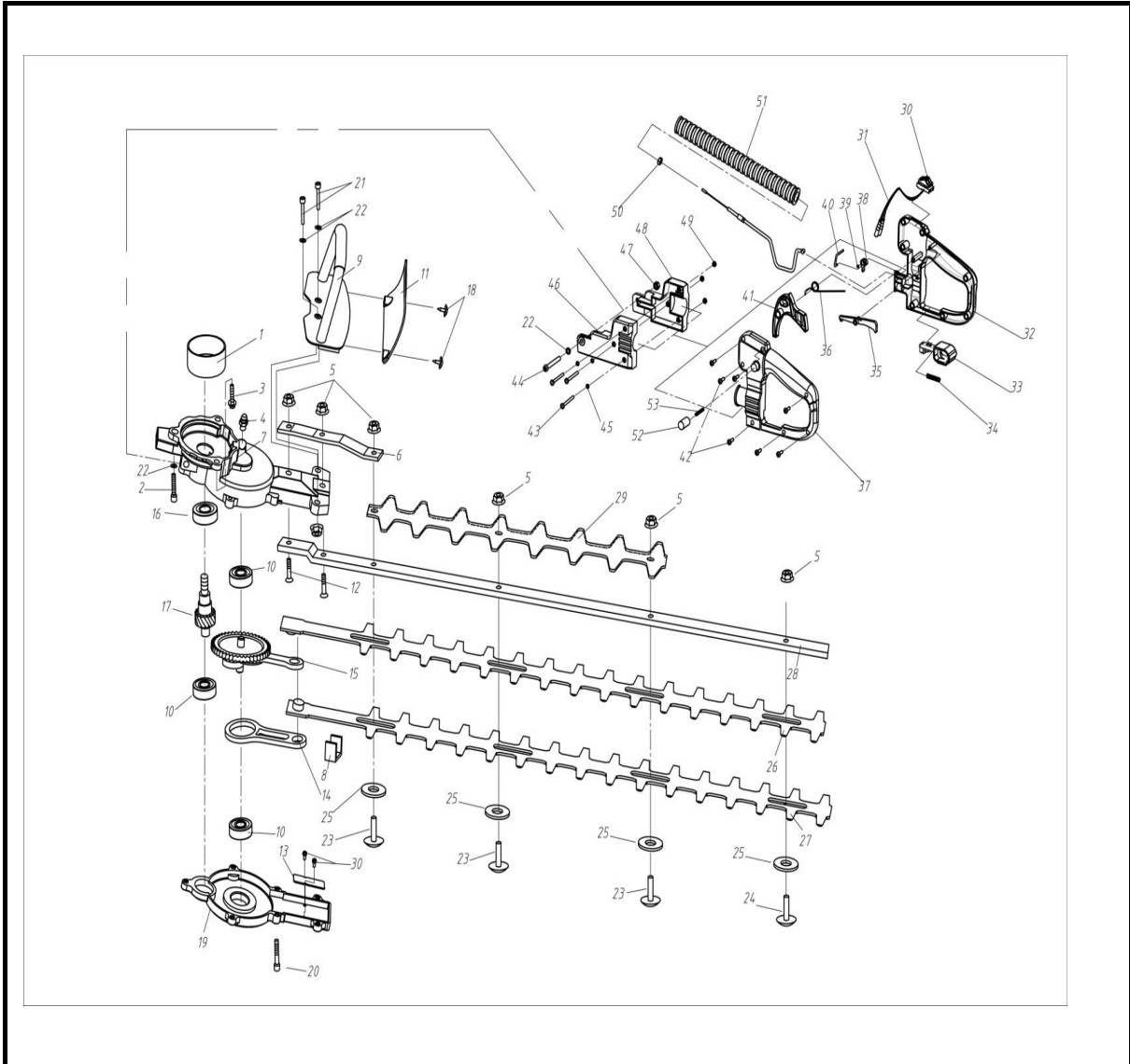
54			Air Filter Sponge	1	
55			Air Filter Cover	1	
56			Screw	1	

CORTASETO 26CC 35MM

Parte: CORTASETO

Código 494567

Modelo XHT26



CORTASETO 26CC 35MM

Parte: CORTASETO

Código 494567

Modelo XHT26

N°	Cód. Savake	Descripción Español	Descripción Ingles	Cant.	Observaciones
1	550947	CAMPANA P/ XHT26	Passive plate welding	1	
2			screw(2p)M6X40	1	
3			screw(3p)M5X20	2	
4			Fuel nozzle	1	
5			Flange nutM5	8	
6			Plate1	1	
7	550962	TAPAS DE TRANSMISION P/XHT26	Transmission box	1	
19			Transmission case cover	1	
8			Sealing felt block	1	
9			Handle	1	
10			Bearing629/P5	3	
11			Handle cover	1	
12			Countersunk head screws	2	
13			Shim3	1	
14	520437	BIELA CAJA ENGRANAJE P/XHT26	Connecting rod	1	
15	550913	PIÑON PRINCIPAL P/XHT26	Crank gear	1	
16			bearing6001-2RS/P5	1	
17	520445	KIT DE PIÑONES P/XHT26	Gear shaft (Anti wire)	1	
18			screw ST4X12	2	
19			Transmission case cover	1	
20			screw(3p)M5X16	7	
21			screw(3p)M6X40	2	
22			Shim13X6.2X1.2	4	
23			Head screwM6X22	3	
24			Head screwM6X18	1	
25			Shim18X6.2X1	4	
26	520320	CUCHILLAS COMPLETAS P/XHT26	The scissors	1	
27			Under the scissors	1	
28	550939	GUIA P/ XHT26	Blade holder	1	
29			Guard	1	
30			Stop switch	1	
31			Stop line	1	
32			Right hand housing	1	

CORTASETO 26CC 35MM

Parte: CORTASETO

Código 494567

Modelo XHT26

N°	Cód. Savake	Descripción Español	Descripción Ingles	Cant.	Observaciones
33			Rotary limit handle	1	
34			Spring	1	
35			Self locking handle	1	
36			Return spring	1	
37			The left hand.	1	
38			Fork	1	
39			screwST3X8	1	
40			Connecting piece	1	
41	520346	GATILLO ACCELERACION P/XHT26	Throttle handle	1	
42			screwST3X16	7	
43			screwM4X38	3	
44			screwM6X55	1	
45			Spring washer	3	
46			After the connecting block1	1	
47			Metal locknutM6	1	
48			After the connecting block2	1	
49			NutM3	3	
50			NutM6	2	
51			Protective sleeve	1	
52			Self locking button	1	
53			Self locking spring	1	
54			Shim6.2X14X1	1	