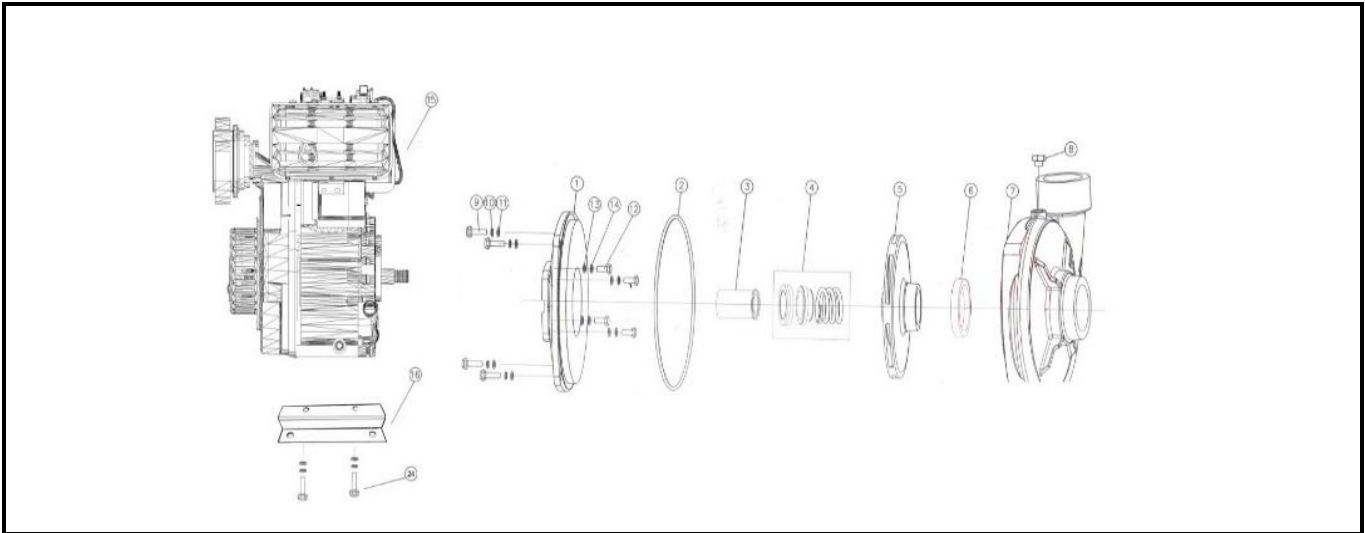


Parte: _____

Código 474726 _____

Modelo XDWP2C _____



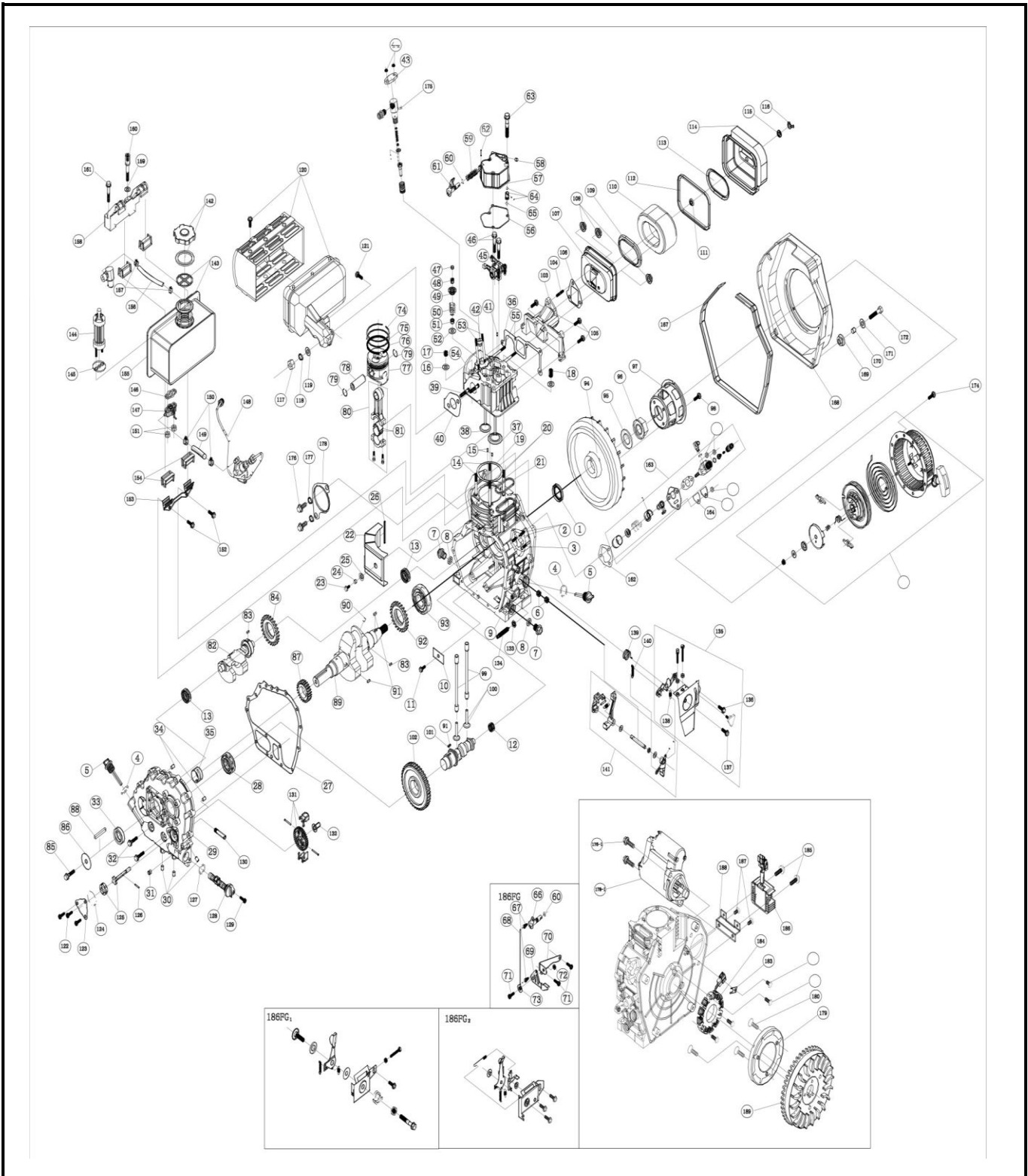
N°	Cód. Savake	Descripción Español	Descripción Ingles	Cant.	Observaciones
1			pump frame		
2			waterproof O ring		
3			cooper bush		
4			mechanical seal		
5			impeller		
6			seal ring		
7			pump		
8			1/4 cooper nut		
9			M8*25 stainless steel bolt		
10			cooper nut		
11			recombination gasket		
12			spring washer bolt		
13			flat gasket		
14			spring washer		
15			engine		
16			engine support		

MOTOBOMBA DIESEL ALTA PRESIÓN 2x2
MOTOR

Parte: _____

Código 474726

Modelo XDWP2C




MOTOBOMBA DIESEL ALTA PRESIÓN 2x2

Parte: MOTOR 6HP

Código 474726

Modelo XDWP2C


N°	Cód. Savake	Descripción Español	Descripción Ingles	Cant.	Observaciones
1			Oil seal 35*50*8	1	
2			Stud bolt M6*24	2	
3			Stud bolt M6*24	1	
4			O-ring f19*2.65	1	
5			Dipstick	1	
6			Needle roller bearings HKH0810	2	
7			Oil drain plug	1	
8			Oil drain plug gasket	1	
9			186FA body	1	
10			Stop film	1	
11			Flange bolt M8*14	1	
12			Needle roller bearings HK1512	1	
13			Deep groove ball bearing 6203P	2	
14			Cylinder head bolt (short)	2	
15			Cylinder head positioning pin 4x8	2	
16			Cylinder head nut gasket	4	
17			Cylinder head nut (short)	2	
18			Cylinder head nut (long)	2	
19	395038	EMPACADURA DEL CILINDRO P/MOTOR 6HP (178FA) 305cc	Cylinder head gasket	1	
20			Cylinder head bolt (long)	2	
21			Rectangular seal 186	1	
22			Air deflector 186	1	
23			Flange bolt M6*16	1	
24			Air deflector cushion cover	1	
25			Air deflector cushion	1	
26			Air deflector shock absorber	1	
27			Side cover gasket	1	
28			Deep groove ball bearing 6207P	1	
29			Side cover	1	
30			Aluminum plug 8x10	3	
31			Plug G1/8	1	
32			Flange bolt M8*33.5	16	
33			Oil seal 35*50*10	1	
34			Side cover positioning pin f8*12	2	
35			Main bearing	1	
36			Intake pipe gasket	1	
37	395061	KIT DE VALVULAS P/MOTOR 6HP (178FA) 305cc	Intake valve	1	
38			Exhaust valve	1	
39			Stud bolt M8*20	2	
40			Muffler gasket	1	
41			Rocker positioning pin f4*8	1	
42			Nozzle insulation	1	
43			Nozzle pressure plate	1	
44			Flange nut M6	2	

MOTOBOMBA DIESEL ALTA PRESIÓN 2x2

Parte: MOTOR 6HP

Código 474726

Modelo XDWP2C

N°	Cód. Savake	Descripción Español	Descripción Ingles	Cant.	Observaciones
36	395053	CULATA COMPLETA P/MOTOR 6HP (178FA) 305cc	Intake pipe gasket	1	
37			Intake valve	1	
38			Exhaust valve	1	
39			Stud bolt M8*20	2	
46			Rocker bolt M8*50	2	
47			Valve adjustment block	2	
48			Valve lock clip	4	
49			Valve spring seat	2	
50			Valve spring	2	
51			Valve seal	2	
52			Valve spring washer	2	
53			Stud bolt M6*55	2	
54			cylinder head	1	
55			Stud bolt M6*75	2	
54			395020	CILINDRO P/MOTOR 6HP (178FA) 305cc	
56			Cylinder head cover gasket	1	
57	395046	TAPA CARTER DEL CILINDRO P/MOTOR 6HP (178FA) 305cc	Cylinder head cover	1	
58			Aluminum block 8*8	1	
59			Pressure reducing spring	1	
60			O-ring f10*1.9	1	
61			Pressure reducing handle	1	
62			Pin 3*16	1	
63			Flange bolt M6*70	3	
64			Respirator	1	
65			O-ring f12*1.9	1	
66			External pressure reducing handle	1	
67			External decompression handle rubber sleeve	2	
68			Pull rod	1	
69			External decompression control handle	1	
70			External decompression handle handle	1	
71			Flange bolt M6*14	3	
72			Flange nut M6	1	
73			External decompression handle bushing	1	
74	395095	ANILLOS DEL PISTON P/MOTOR 6HP (178FA) 305cc	First oil ring	1	
75			Second oil ring	1	
76			Third gas ring	1	
77	395079	PISTON P/MOTOR 6HP (178FA) 305cc	piston	1	
78			Piston pin	1	
79			Hole retaining ring 23	2	

MOTOBOMBA DIESEL ALTA PRESIÓN 2x2
MOTOR 6HP

Parte: _____

Código 474726

Modelo XDWP2C

N°	Cód. Savake	Descripción Español	Descripción Ingles	Cant.	Observaciones
80	395087	BIELA P/MOTOR 6HP (178FA) 305cc	link	1	
81	395103	CONCHAS DE BIELA P/MOTOR 6HP (178FA) 305cc	Connecting rod	1	
82	395111	CONTRA PESO CIGÜEÑAL P/MOTOR 6HP (178FA) 305cc	Balance axis	1	
83	394627	CIGÜEÑAL P/MOTOR 6HP (178FA) 305cc	Flat key 5*7	2	
87			Crankshaft timing gear	1	
89			Crankshaft	1	
90			Aluminum block 6x8	1	
91			Flat key 5*14	3	
92			Balance shaft gear	1	
84				Balance shaft drive gear	
85		Flange bolt	1		
86		Flat pad	1		
88		Flat key 6*50	1		
93		Bearing 6308P5	1		
94	395137	VOLANTE P/MOTOR 6HP (178FA) 305cc	flywheel	1	
95		Flywheel nut washer	1		
96		Flywheel nut	1		
97		Starting claw	1		
98		Flange bolt M6*12	4		
99	395145	BALANCIN P/MOTOR 6HP (178FA) 305cc	Valve push rod	2	
100	395152	TAQUETE P/MOTOR 6HP (178FA) 305cc	Valve tappet	2	
101	395160	ARBOL DE LEVA P/MOTOR 6HP (178FA) 305cc	Camshaft	1	
102			Camshaft timing gear	1	
103		Intake pipe	1		
104		Stud	1		
105		Flange bolt M6*25	3		
106		Air filter gasket	1		
107		Air filter bottom case	1		
108		Flange nut M6	3		
109		Anti-vibration seal II	1		
110	395194	FILTRO AIRE P/XDWP3P	Air filter	1	
111		Shock absorbers	1		
112		Seal ring	1		
113		Anti-vibration seal I	1		
114		Air filter housing	1		
115		Shockproof seal assembly	1		
116		Butterfly nut M6	1		

MOTOBOMBA DIESEL ALTA PRESIÓN 2x2

Parte: MOTOR 6HP

Código 474726

Modelo XDWP2C


N°	Cód. Savake	Descripción Español	Descripción Ingles	Cant.	Observaciones
117	395202	SILENCIADOR P/MOTOR 6HP (178FA) 305cc	Hex nut M8	2	
118			Spring pad 8	2	
119			Flat pad 8	2	
120			silencer	1	
121			Flange bolt M8*16	2	
122			Flange bolt M6*16	3	
123			Oil pump plate	1	
124			O-ring f34.5*1.8	1	
125	395210	BOMBA DE ACEITE P/MOTOR 6HP (178FA) 305cc	Oil pump	1	
126			Pin 3*16	1	
127			O-ring f19*2.65	1	
128			Oil filter	1	
129			Flange bolt M6*14	1	
130			Oil conduit	1	
131			Oil pump drive gear	1	
132			Push plate	1	
133			Hex nut M10*1.25	1	
134			Oil limiter	1	
135			handle	1	
136			Flange bolt M6*14	1	
137			Flange bolt M6*20	1	
138			Return spring II	1	
139			Return spring I	1	
140			Speed ??control spring	1	
141			Fork assembly	1	
142			Fuel tank cap	1	
143			Oil Cup	1	
144			Diesel filter	1	
145			Diesel filter gasket	1	
146			Oil switch gasket	1	
147			Oil switch	1	
148			High-pressure pipeline	1	
149			Oil pipeline	1	
150			Oil pipeline card	2	
151			Hex nut M6	2	
152			Flange bolt M6*14	2	
153			Fuel tank lower bracket	1	
154			Fuel tank rubber block	4	
155			tank	1	
156			Oil return pipe	1	
157			Return pipe clamp	2	
158			Fuel tank upper bracket	1	
159			Flat pad 8	2	
160			Shaped screw 1 bolt		
161			Flange bolt M8*45	1	
162			Fuel injection pump gasket	1	
163	395228	BOMBA DE INYECCION P/MOTOR 6HP (178FA) 305cc	Fuel injection pump	1	
164			Sealing plate gasket	1	
165			sealing board	1	
166			Flange nut M6	3	
167			Air hood seal	1	
168			Wind shield	1	
169			Air dam cushion	4	

MOTOBOMBA DIESEL ALTA PRESIÓN 2x2

Parte: MOTOR 6HP

Código 474726

Modelo XDWP2C

N°	Cód. Savake	Descripción Español	Descripción Ingles	Cant.	Observaciones
170			Windshield cushion cover	4	
171			Flat pad 6	4	
172			Hex bolt M6*25	4	
173			Hand tray	1	
174	395244	ARRANQUE COMPLETO P/MOTOR 6HP (178FA) 305cc	Flange bolt M6*8	4	
175	395236	INYECTOR P/MOTOR 6HP (178FA) 305cc	Injector	1	
176			Flange bolt M10*20	2	
176-1			Flange bolt M10*30	2	
177			Spring pad 10	2	
178			Starter 0.75KW	1	
178-1			Starter hole plug cover	1	
179			Flywheel generator rotor	1	
183			Crimping board	1	
184			Flywheel generator stator	1	
180			Cross countersunk head screw M6*14	3	
181			Flange bolt M6*20	3	
182			Flange bolt M6*12	1	
185			Cross round head screw M6*12	2	
186			Voltage regulator block	1	
187			Flange bolt M6*14	2	
188			Voltage regulator bracket	1	
189			Flywheel ring gear	1	