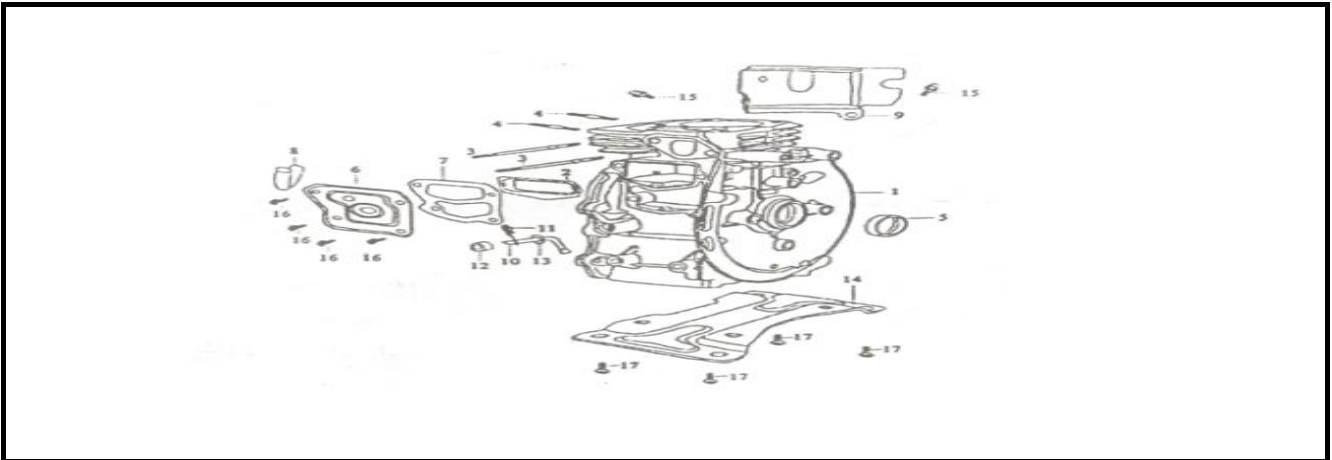


MOTOBOMBA GASOLINA ALU 1.5X1.5 2.5 HP 4T

Parte: MOTOR

Código 473132

Modelo XGWP15P



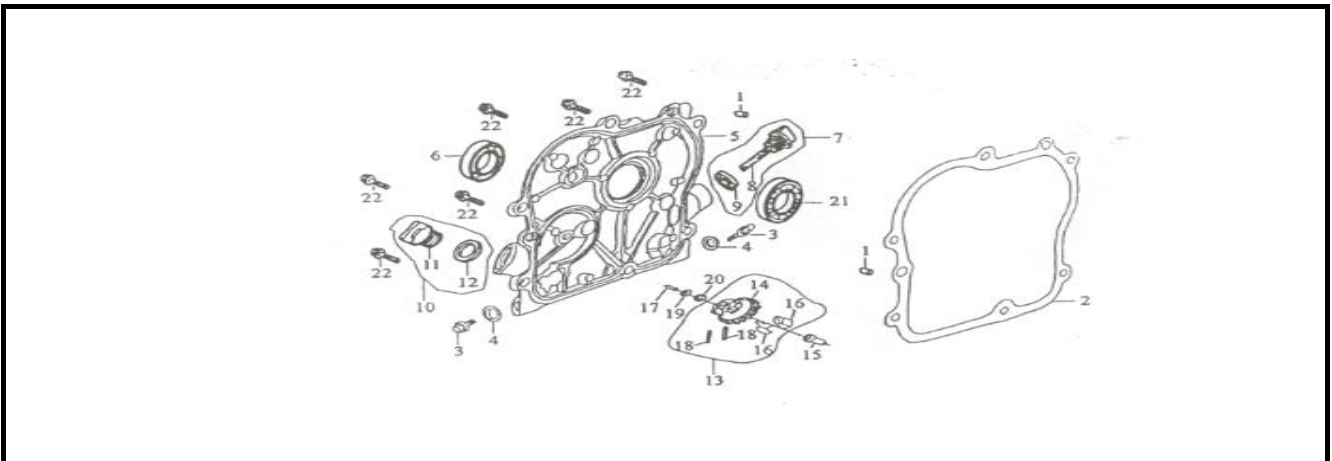
N°	Cód. Savake	Descripción Español	Descripción Ingles	Cant.	Observaciones
1			Crankcase	1	
2			Valve chamber clapboard sub-assy	1	
3			Stub M5X113	2	
4			Stub M6x55	2	
5			Oil seal (17x30x6),crankshaft	1	
6			Cover , oil filter	1	
7			Gasket	1	
8			Return pipe	1	
9			Flow guard ,lower	1	
10			Sway bar	1	
11			Keeper, sway bar	1	
12			Oil seal ,sway bar	1	
13			Washer ,sway bar	1	
14			Bottom plate	1	
15			Bolt M6x14	2	
16			Bolt M5x10	4	
17			Bolt M8x18	4	

MOTOBOMBA GASOLINA ALU 1.5X1.5 2.5 HP 4T

Parte: CARTER

Código 473132

Modelo XGWP15P



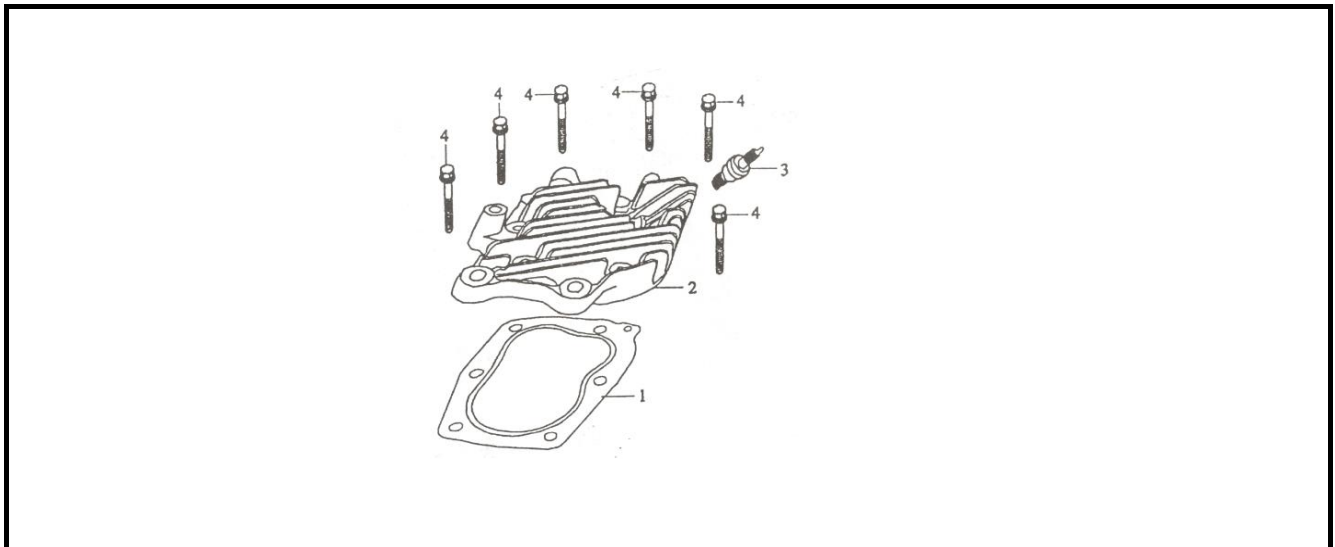
N°	Cód. Savake	Descripción Español	Descripción Ingles	Cant.	Observaciones
1			Set pin 8x14	2	
2			Gasket, crankcase	1	
3			Drain plug	2	
4			Washer	2	
5			Crankcase cover	1	
6			Oil seal(17x30x6), crankshaft	1	
7			Dipstick sub-assy	1	
8			Dipstick.	1	
9			Seal , dipstick	1	
10			Oil plug sub-assy	1	
11			Oil plug	1	
12			Seal, oil plug	1	
13			Driven gear sub-assy,governor	1	
14			Driven gear ,governor	1	
15			Sliding sleeve	1	
16			Flyweight	2	
17			Governing shaft	1	
18			Pin, flyweight	2	
19			Snap ring	1	
20			Washer ,driven gearsd	1	
21			Bearing 6203	1	
22			Bolt M6X29	6	

MOTOBOMBA GASOLINA ALU 1.5X1.5 2.5 HP 4T

Parte: CILINDRO

Código 473132

Modelo XGWP15P



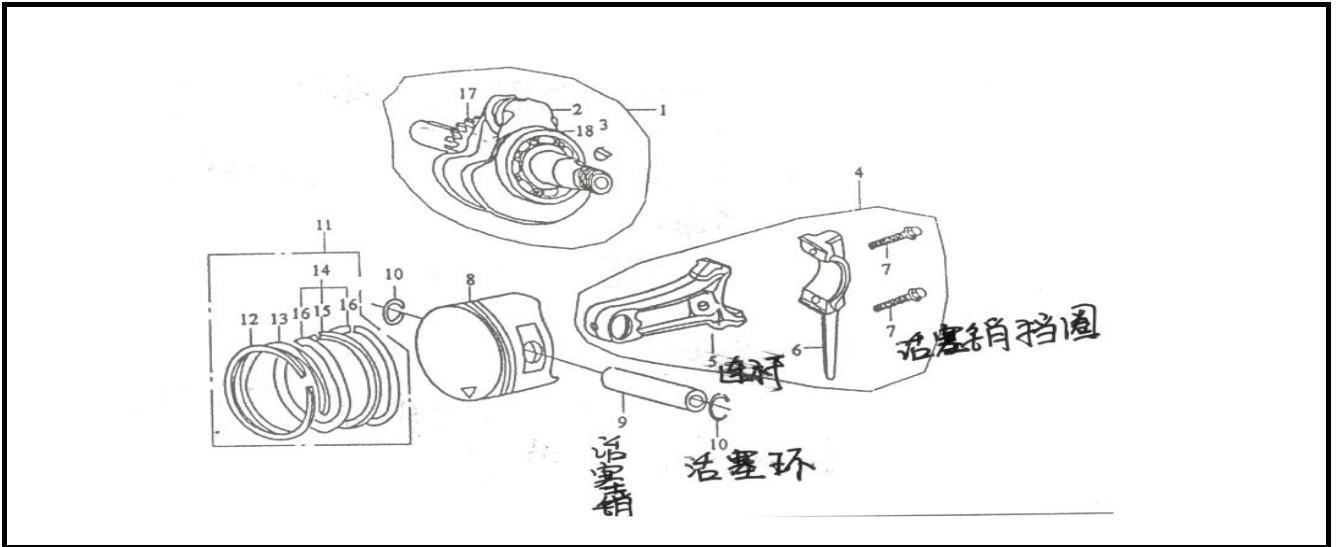
N°	Cód. Savake	Descripción Español	Descripción Ingles	Cant.	Observaciones
1			Gasket,cylinder head	1	
2			Cylinder cover	1	
3			Spark plug	1	
4			Bolt M6x35	6	

MOTOBOMBA GASOLINA ALU 1.5X1.5 2.5 HP 4T

Parte: CIGÜEÑAL- BIELA -PISTON

Código 473132

Modelo XGWP15P



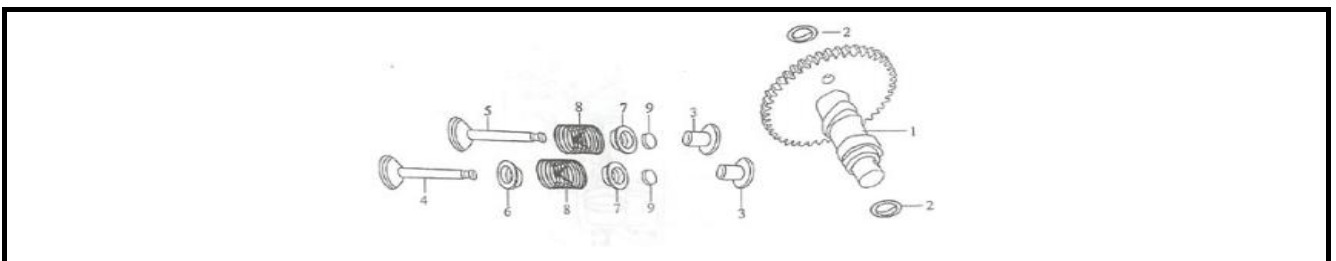
N°	Cód. Savake	Descripción Español	Descripción Ingles	Cant.	Observaciones
1	0		Crankshaft sub-assy	1	
2	0		Crankshaft	1	
3	0		Woodruff key	1	
4	514836	BIELA P/XGWP15P	Connecting rod	1	
5	0		Shank	1	
6	0		Cap connecting rod	1	
7	0		Bolt M5x24	2	
8	0		Piston	1	
9	0		Piston pin	1	
10	0		Circlip, piston set	2	
11	514810	ANILLOS P/XGWP15P	Piston ring set	1	
12	0		Piston ring (I)	1	
13	0		Piston ring(II)	1	
14	0		Oil ring, 3-piece	1	
15	0		Expander	1	
16	0		Side rail	2	
17	0		Timing driving gear	1	
18	0		Bearing 6203	1	



MOTOBOMBA GASOLINA ALU 1.5X1.5 2.5 HP 4T

Parte: ARBOL DE LEVAS- VALVULAS

Código 473132

Modelo XGWP15P



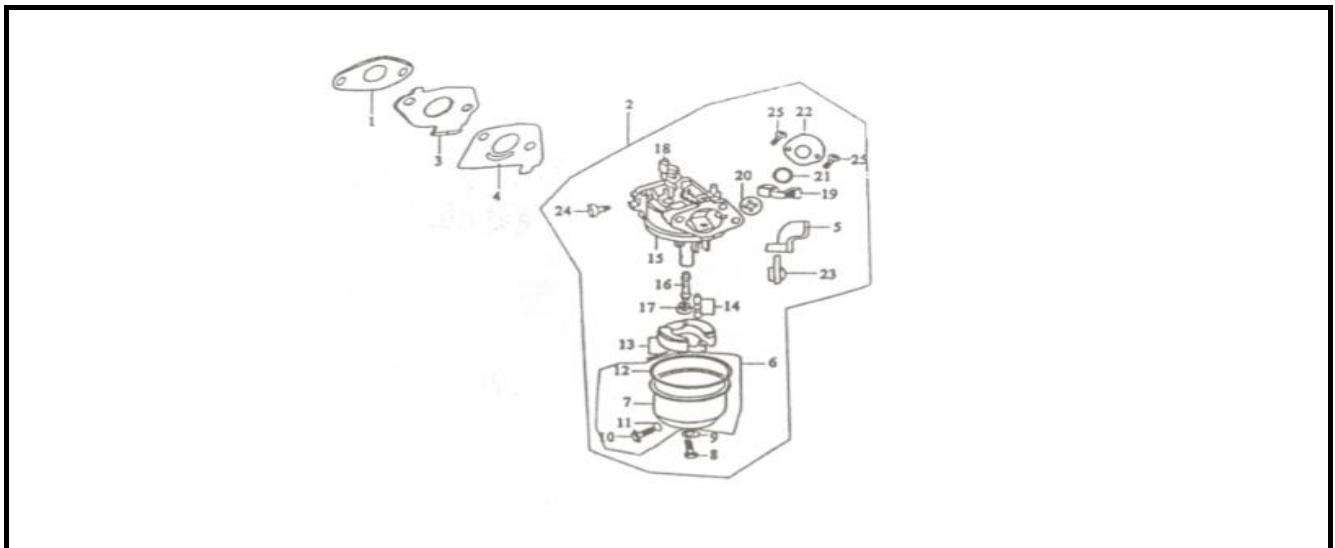
N°	Cód. Savake	Descripción Español	Descripción Ingles	Cant.	Observaciones
1	0		Camshaft	1	
2	0		Washer ,camshaft	2	
3	0		Tappet	2	
4	514794	VALVULA ADMISION P/XGWP15P	Intake valve	1	
5	514786	VALVULA DE ESCAPE P/XGWP15P	Exhaust valve	1	
6	0		Oil seal, valve stem	1	
7	0		Spring seat, valve	2	
8	0		Valve spring	2	
9	0		Cap	2	


MOTOBOMBA GASOLINA ALU 1.5X1.5 2.5 HP 4T

Parte: CARBURADOR

Código 473132

Modelo XGWP15P



N°	Cód. Savake	Descripción Español	Descripción Ingles	Cant.	Observaciones
1	0		Gasket intake port	1	
2	514851	CARBURADOR P/XGWP15P	Carburetor assy	1	
3	0		Connecting block	1	
4	0		Gasket ,carburetor	1	
5	0		Choke lever	1	
6	0		Float chamber sub-assy	1	
7	0		Float chamber	1	
8	0		Screw	1	
9	0		Seal, screw	1	
10	0		Drain screw ,float chamber	1	
11	0		Washer	1	
12	0		Gasket, float chamber	1	

MOTOBOMBA GASOLINA ALU 1.5X1.5 2.5 HP 4T

Parte: CARBURADOR

Código 473132

Modelo XGWP15P

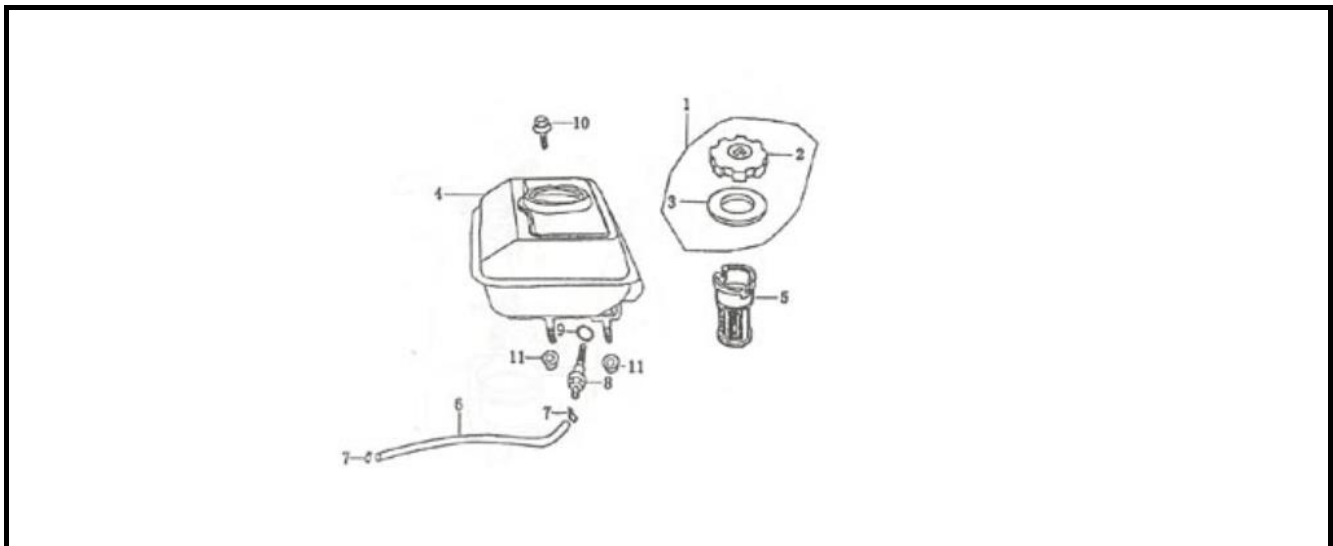
13	0		Float sub-assy	1	
14	0		Needle valve	1	
15	0		Mixture chamber body	1	
16	0		Main nozzle	1	
17	0		Main jet	1	
18	0		Throttle unit	1	
19	0		Throttle lever	1	
20	0		Airproof washer	1	
21	0		Washer	1	
22	0		Cover	1	
23	0		Choke unit	1	
24	0		Idle adjusting screw	1	
25	0		Screw M4x6	2	

MOTOBOMBA GASOLINA ALU 1.5X1.5 2.5 HP 4T

Parte: TANQUE DE COMBUSTIBLE

Código 473132

Modelo XGWP15P



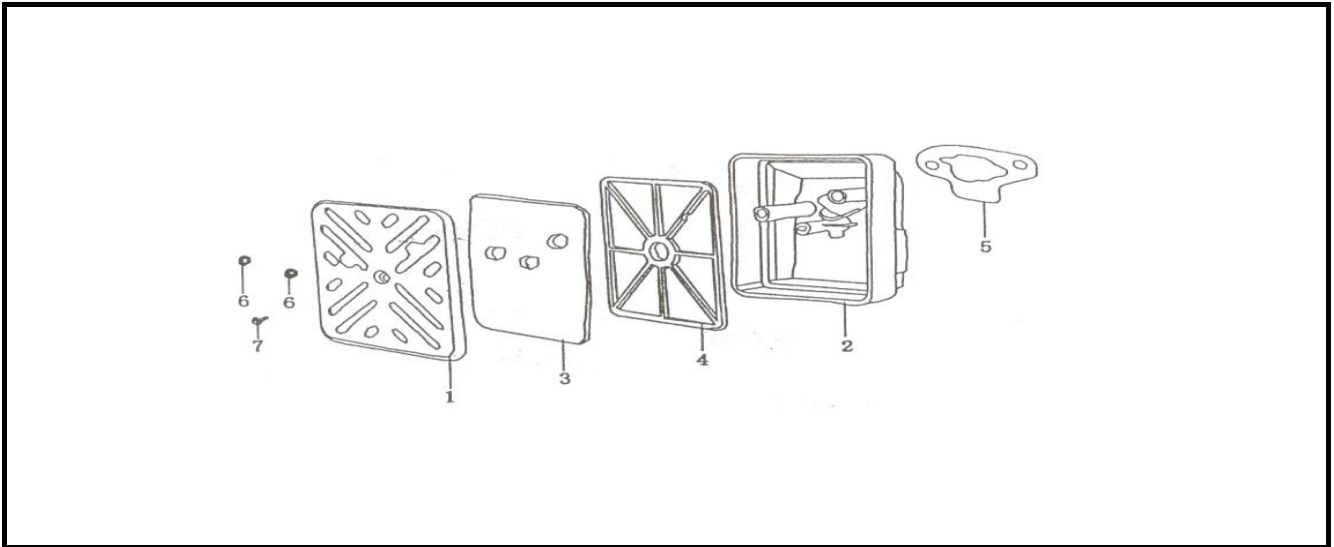
N°	Cód. Savake	Descripción Español	Descripción Ingles	Cant.	Observaciones
1			Fuel filler cap sub-assy	1	
2			Fuel filler cap	1	
3			Packing ring	1	
4			Fuel tank	1	
5			Filler cup	1	
6			Outlet pipe	1	
7			Pipe clamp	2	
8			Outlet nipple	1	
9			Seal ring outlet nipple	1	
10			Bolt M4x6	1	
11			Nut M6	2	


MOTOBOMBA GASOLINA ALU 1.5X1.5 2.5 HP 4T

Parte: FILTRO DE AIRE

Código 473132

Modelo XGWP15P



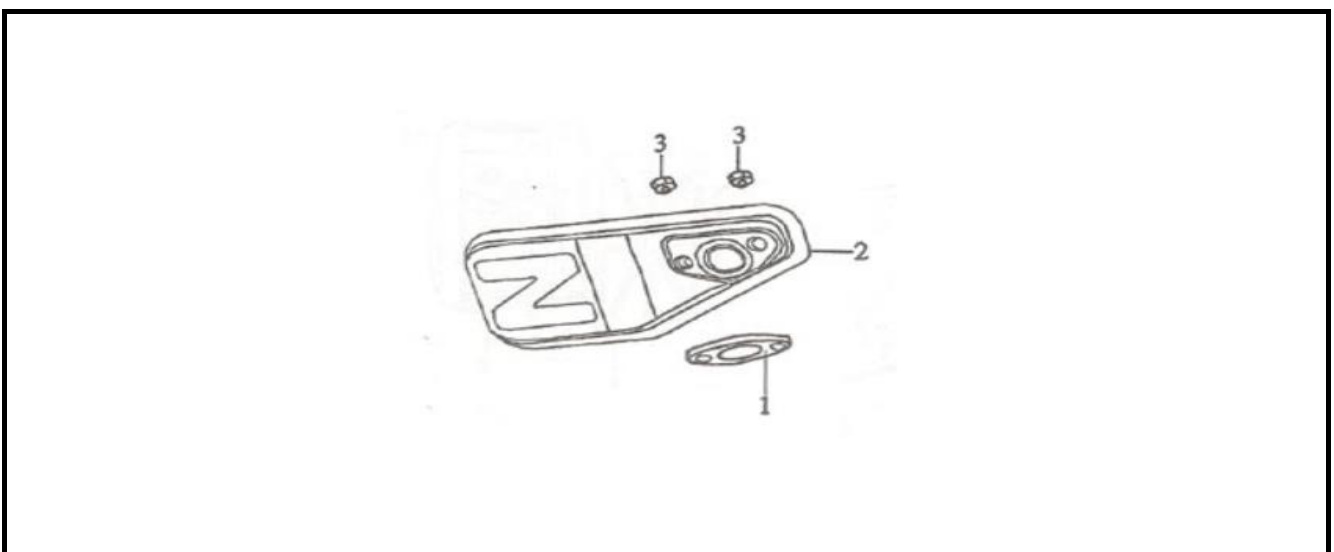
N°	Cód. Savake	Descripción Español	Descripción Ingles	Cant.	Observaciones
1	514877	FILTRO DE AIRE P/XGWP15P	Cover,air cleaner	1	
2			Housing, air cleaner	1	
3			Foam,air cleaner	1	
4			Bracket ,air cleaner	1	
5			Gasket ,air cleaner	1	
6	0		Nut M5	2	
7	0		Self-tapping screw ST4X10	1	

MOTOBOMBA GASOLINA ALU 1.5X1.5 2.5 HP 4T

Parte: SILENCIADOR

Código 473132

Modelo XGWP15P



N°	Cód. Savake	Descripción Español	Descripción Ingles	Cant.	Observaciones
1			Gasket ,exhaust port	1	
2			Exhaust muffler	1	
3			Nut M6	2	

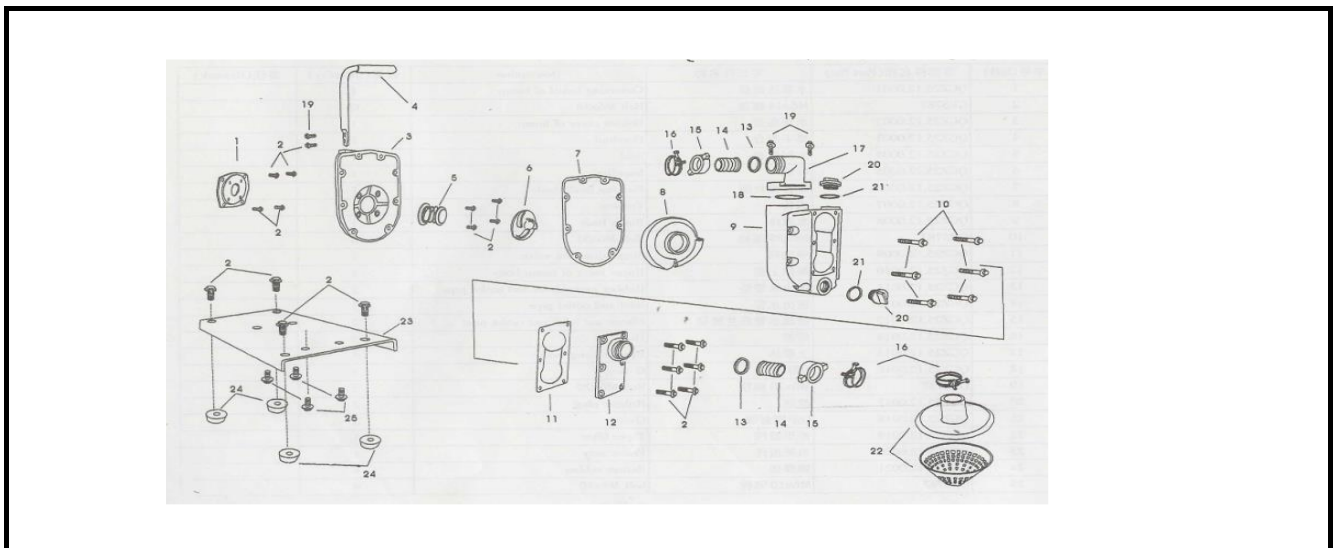
N°	Cód. Savake	Descripción Español	Descripción Ingles	Cant.	Observaciones
1	0		Cap, spark plug	1	
2	0		Cable, engine stop	1	
3	500058	BOBINA P/XGWP15P	Ignition coil sub-assy	1	
4	0		Ignition coil	1	
5	0		Bush,ignition coil	1	
6	0		Bolt M6x25	2	

MOTOBOMBA GASOLINA ALU 1.5X1.5 2.5 HP 4T

Parte: BOMBA

Código 473132

Modelo XGWP15P



N°	Cód. Savake	Descripción Español	Descripción Ingles	Cant.	Observaciones
1	477695	BOMBA COMPLETA P/XGWP15P	Gasket bump(paper)A		
2			Connecting board of bump		
3			Bolt M8x18		
4			Washer 10		
5			Gasket bump(paper)B		
6			Handrail		
7			Bottom cover of bump		
8			Seal		
9			Washer 6		
10			Bolt M6x20		
11			Impeller		
12			Packing bump body		
13			O-ring		
14			Turbine		
15			Bump body		
16			Bolt M6x50		
17			Single-direction valve		
18			Upper cover of bump body		
19			Bolt M6x16		
20			Bolt M6x85		
21			Rubber gasket,inlet and outlet pipe		
22			Inlet and outlet pipe		
23			Flange nut inlet and outlet pipe		
24			Hoop		
25			Upper bump body		

MOTOBOMBA GASOLINA ALU 1.5X1.5 2.5 HP 4T

Parte: BOMBA

Código 473132

Modelo XGWP15P

26			O-ring		
27			Rubber plug		
28			Bolt M6x16		
29			Taper filter		
30			Frame assy		
31	477695	BOMBA COMPLETA P/XGWP15P	Bottom rubber		
32			Bolt M8x14		
33			Bolt M6x14		
34			Nut M8		
35			Spring washer 8		
36			Washer 8		
5	514885	SELLO MECANICO P/XGWP15P	Gasket bump(paper)B		
11	477604	IMPELER P/XGWP15P	Impeller		