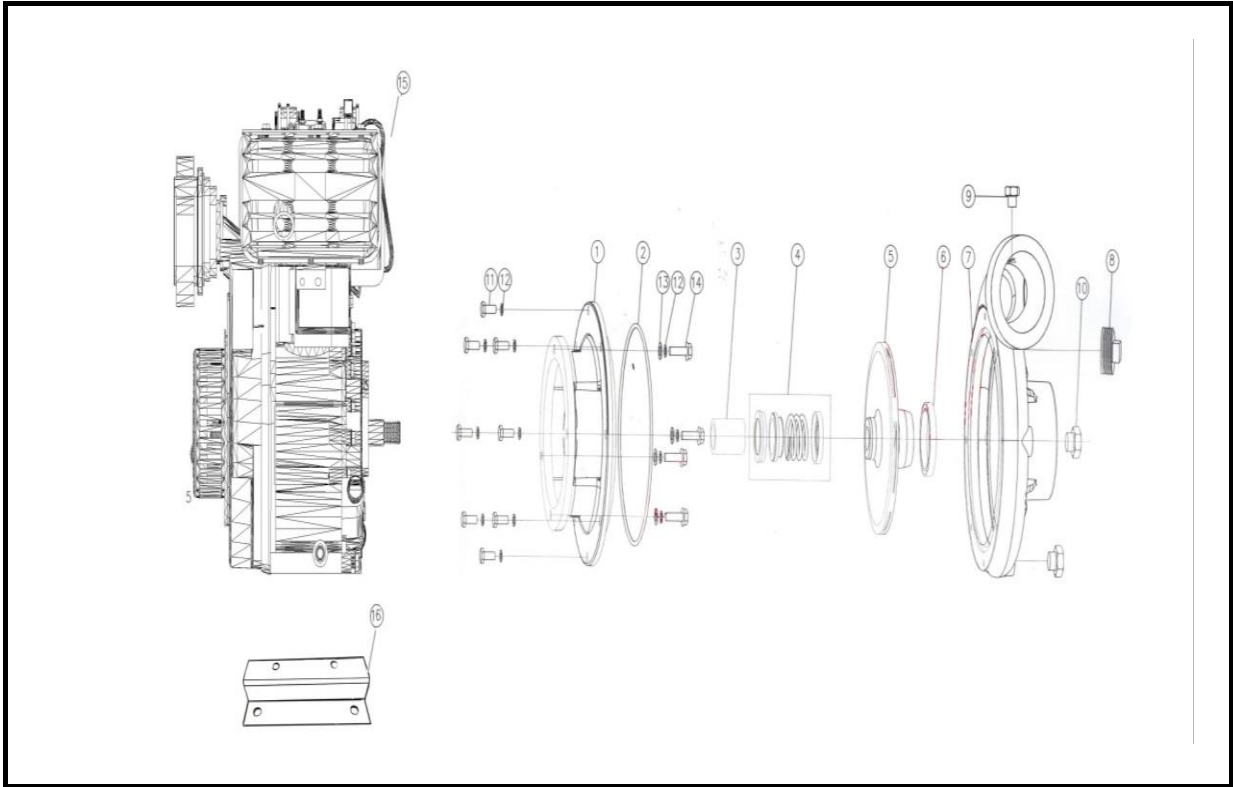


MOTOBOMBA DIESEL ALTA PRESION 3" x 3"

Parte: MOTOBOMBA

Código 393884

Modelo XDWP3C




N°	Cód. Savake	Descripción Español	Descripción Inglés	Cant.	Observaciones
1			pump frame		
2			waterproof O ring		
3			cooper bush		
4			mechanical seal		
5	395640	IMPELER P/XDWP3C /XDWP3CT	impeller		
6			seal ring		
7			pump		
8			1/4 cooper nut		
9			M8*25 stainless steel bolt		
10			cooper nut		
11			recombination gasket		
12			spring washer bolt		
13			flat gasket		
14			spring washer		
15			engine		
16			engine support		

MOTOBOMBA DIESEL ALTA PRESION 3" x 3"

Parte: MOTOR 10HP

Código 393884

Modelo XDWP3C

N°	Cód. Savake	Descripción Español	Descripción Inglés	Cant.	Observaciones
1			Oil seal 35*50*8	1	
2			Stud bolt M6*24	2	
3			Stud bolt M6*24	1	
4			O-ring f19*2.65	1	
5			Dipstick	1	
6			Needle roller bearings HKH0810	2	
7			Oil drain plug	1	
8			Oil drain plug gasket	1	
9	394478	BLOQUE P/MOTOR 10HP (186FA) 418cc	186FA body	1	
10			Stop film	1	
11			Flange bolt M8*14	1	
12			Needle roller bearings HK1512	1	
13			Deep groove ball bearing 6203P	2	
14			Cylinder head bolt (short)	2	
15			Cylinder head positioning pin 4x8	2	
16			Cylinder head nut gasket	4	
17			Cylinder head nut (short)	2	
18			Cylinder head nut (long)	2	
19	394486	EMPACADURA DEL CILINDRO P/MOTOR 10HP (186FA) 418cc	Cylinder head gasket	1	
20			Cylinder head bolt (long)	2	
21			Rectangular seal 186	1	
22			Air deflector 186	1	
23			Flange bolt M6*16	1	
24			Air deflector cushion cover	1	
25			Air deflector cushion	1	
26			Air deflector shock absorber	1	
27			Side cover gasket	1	
28			Deep groove ball bearing 6207P	1	
29	394494	TAPA DEL CARTER P/MOTOR 10HP (186FA) 418cc	Side cover	1	
30			Aluminum plug 8x10	3	
31			Plug G1/8	1	
32			Flange bolt M8*33.5	16	
33			Oil seal 35*50*10	1	
34			Side cover positioning pin f8*12	2	
35			Main bearing	1	
37	394510	VAVULA DE ADMISION Y ESCAPE P/MOTOR 10HP (186FA) 418cc	Intake valve	1	
38			Exhaust valve	1	
40			Muffler gasket	1	

MOTOBOMBA DIESEL ALTA PRESION 3" x 3"

Parte: MOTOR 10HP

Código 393884

Modelo XDWP3C

N°	Cód. Savake	Descripción Español	Descripción Inglés	Cant.	Observaciones
41			Rocker positioning pin f4*8	1	
42			Nozzle insulation	1	
43			Nozzle pressure plate	1	
44			Flange nut M6	2	
45			Rocker arm assembly	1	
36	394510	VAVULA DE ADMISION Y ESCAPE P/MOTOR 10HP (186FA) 418cc	Intake pipe gasket	1	
37			Intake valve	1	
38			Exhaust valve	1	
39			Stud bolt M8*20	2	
46			Rocker bolt M8*50	2	
47			Valve adjustment block	2	
48			Valve lock clip	4	
49			Valve spring seat	2	
50			Valve spring	2	
51			Valve seal	2	
52			Valve spring washer	2	
53			Stud bolt M6*55	2	
54					
55			Stud bolt M6*75	2	
56	527846	TAPA VALVULAS P/MOTOR 10HP (186FA) 418cc	Cylinder head cover gasket	1	
57			Cylinder head cover	1	
58			Aluminum block 8*8	1	
59			Pressure reducing spring	1	
60			O-ring f10*1.9	1	
61			Pressure reducing handle	1	
62			Pin 3*16	1	
63			Flange bolt M6*70	3	
64			Respirator	1	
65			O-ring f12*1.9	1	
66			External pressure reducing handle	1	
67			External decompression handle rubber sleeve	2	
68			Pull rod	1	
69			External decompression control handle	1	
70			External decompression handle handle	1	
71			Flange bolt M6*14	3	
72			Flange nut M6	1	
73			External decompression handle bushing	1	

MOTOBOMBA DIESEL ALTA PRESION 3" x 3"

Parte: MOTOR 10HP

Código 393884

Modelo XDWP3C

N°	Cód. Savake	Descripción Español	Descripción Inglés	Cant.	Observaciones
74	394544	ANILLOS DEL PISTON P/MOTOR 10HP (186FA) 418cc	First oil ring	1	
75			Second oil ring	1	
76			Third gas ring	1	
77	394528	PISTON P/MOTOR 10HP (186FA) 418cc	piston	1	
78			Piston pin	1	
79			Hole retaining ring 23	2	
80	394536	BIELA P/MOTOR 10HP (186FA) 418cc	link	1	
81	394569	CONCHAS DE BIELA P/MOTOR 10HP (186FA) 418cc	Connecting rod	1	
82	394577	CONTRA PESO CIGÜEÑAL P/MOTOR 10HP (186FA) 418cc	Balance axis	1	
83			Flat key 5*7	2	
84			Balance shaft drive gear	1	
85			Flange bolt	1	
86			Flat pad	1	
87			Crankshaft timing gear	1	
88			Flat key 6*50	1	
89	394585	CIGÜEÑAL P/MOTOR 10HP (186FA) 418cc	Crankshaft	1	
90			Aluminum block 6x8	1	
91			Flat key 5*14	3	
92			Balance shaft gear	1	
93			Bearing 6308P5	1	

MOTOBOMBA DIESEL ALTA PRESION 3" x 3"

Parte: MOTOR 10HP

Código 393884

Modelo XDWP3C

N°	Cód. Savake	Descripción Español	Descripción Inglés	Cant.	Observaciones
94	394643	VOLANTE P/MOTOR 10HP (186FA) 418cc	flywheel	1	
95			Flywheel nut washer	1	
96			Flywheel nut	1	
97			Starting claw	1	
98			Flange bolt M6*12	4	
99	394650	BALANCIN P/MOTOR 10HP (186FA) 418cc	Valve push rod	2	
100	394668	TAQUETE P/MOTOR 10HP (186FA) 418cc	Valve tappet	2	
101	394676	ARBOL DE LEVA P/MOTOR 10HP (186FA) 418cc	Camshaft	1	
102			Camshaft timing gear	1	
103			Intake pipe	1	
104			Stud	1	
105			Flange bolt M6*25	3	
106	527747	FILTRO AIRE COMPLETO P/XDE10K-I / XDE10TK /XDG5500E / XDG5500C / XDWP3C / XDWP3CT	Air filter gasket	1	
107			Air filter bottom case	1	
108			Flange nut M6	3	
109			Anti-vibration seal II	1	
110			Air filter	1	
111			Shock absorbers	1	
112			Seal ring	1	
113			Anti-vibration seal I	1	
114			Air filter housing	1	
115			Shockproof seal assembly	1	
116	Butterfly nut M6	1			
111	394684	ELEMENTO FILTRO AIRE P/XDE10K-I /XDE10TK /XDG5500E /XDG5500C /XDWP3C /XDWP3CT	Shock absorbers	1	
112			Seal ring	1	

MOTOBOMBA DIESEL ALTA PRESION 3" x 3"

Parte: MOTOR 10HP

Código 393884

Modelo XDWP3C





N°	Cód. Savake	Descripción Español	Descripción Inglés	Cant.	Observaciones
110*	476705	FILTRO AIRE (BAÑADO EN ACEITE) P/XDE10K-I /XDE10TK /XDWP3C /XDWP3CT	Air filter (OIL BATH)***	1	
117	396218	SILENCIADOR P/MOTOR 10HP (186FA) 418cc	Hex nut M8	2	
118			Spring pad 8	2	
119			Flat pad 8	2	
120			silencer	1	
121			Flange bolt M8*16	2	
122			Flange bolt M6*16	3	
123	394700	BOMBA DE ACEITE P/MOTOR 10HP (186FA) 418cc	Oil pump plate	1	
124			O-ring f34.5*1.8	1	
125			Oil pump	1	
126			Pin 3*16	1	
127			O-ring f19*2.65	1	
128	394718	FILTRO DE ACEITE P/MOTOR 10HP (186FA) 418cc	Oil filter	1	
129			Flange bolt M6*14	1	
130			Oil conduit	1	
131			Oil pump drive gear	1	
132			Push plate	1	
133			Hex nut M10*1.25	1	
134			Oil limiter	1	
135			handle	1	
136			Flange bolt M6*14	1	
137			Flange bolt M6*20	1	
138			Return spring II	1	
139			Return spring I	1	
140			Speed ??control spring	1	
141			Fork assembly	1	
142	527820	TAPA TANQUE DE COMBUSTIBLE 5,5L P/XDE10K-I /XDE10TK /XDE12TK /XDWP3C /XDWP3CT	Fuel tank cap	1	
143			Oil Cup	1	

MOTOBOMBA DIESEL ALTA PRESION 3" x 3"

Parte: MOTOR 10HP

Código 393884

Modelo XDWP3C

N°	Cód. Savake	Descripción Español	Descripción Inglés	Cant.	Observaciones
144	527887	FILTRO DE COMBUSTIBLE P/XDE10K-I /XDE10TK /XDG5500E /XDG5500C /XDWP3C /XDWP3CT	Diesel filter	1	
145			Diesel filter gasket	1	
146			Oil switch gasket	1	
147			Oil switch	1	
148	527754	LLAVE DE COMBUSTIBLE P/MOTOR 10HP (186FA) 418cc	High-pressure pipeline	1	
149			Oil pipeline	1	
150			Oil pipeline card	2	
151			Hex nut M6	2	
152			Flange bolt M6*14	2	
153			Fuel tank lower bracket	1	
154			Fuel tank rubber block	4	
155	510909	TANQUE DE COMBUSTIBLE 5,5L P/XDE10K-I / XDE10TK /XDE12TK /XDWP3C /XDWP3CT	tank	1	
156			Oil return pipe	1	
157			Return pipe clamp	2	
158			Fuel tank upper bracket	1	
159			Flat pad 8	2	
160			Shaped screw 1 bolt		
161			Flange bolt M8*45	1	
162			Fuel injection pump gasket	1	
163	527945	BOMBA DE INYECCION P/MOTOR 10HP (186FA) 418cc	Fuel injection pump	1	
164			Sealing plate gasket	1	
165			sealing board	1	

MOTOBOMBA DIESEL ALTA PRESION 3" x 3"

Parte: MOTOR 10HP

Código 393884

Modelo XDWP3C

N°	Cód. Savake	Descripción Español	Descripción Inglés	Cant.	Observaciones
166			Flange nut M6	3	
167			Air hood seal	1	
168			Wind shield	1	
169			Air dam cushion	4	
170			Windshield cushion cover	4	
171			Flat pad 6	4	
172			Hex bolt M6*25	4	
173			Hand tray	1	
174			Flange bolt M6*8	4	
174*	394437	ARRANQUE COMPLETO P/MOTOR 10HP (186FA) 418cc	Recoil Starter assy		
175	394759	INYECTOR P/MOTOR 10HP (186FA) 418cc	Injector	1	
176			Flange bolt M10*20	2	
176-1			Flange bolt M10*30	2	
177			Spring pad 10	2	
178			Starter 0.75KW	1	
178-1			Starter hole plug cover	1	
179	394445	BOBINA EXITADORA P/MOTOR 10HP (186FA) 418cc	Flywheel generator rotor	1	
183			Crimping board	1	
184			Flywheel generator stator	1	
180			Cross countersunk head screw M6*14	3	
181			Flange bolt M6*20	3	
182			Flange bolt M6*12	1	
185			Cross round head screw M6*12	2	
186			Voltage regulator block	1	
187			Flange bolt M6*14	2	
188	394452	REGULADOR DE VOLTAJE P/MOTOR 10HP (186FA) 418cc	Voltage regulator bracket	1	
189			Flywheel ring gear	1	